

BALDOR® • ***RELIANCE***

Product Information Packet

GPP12505

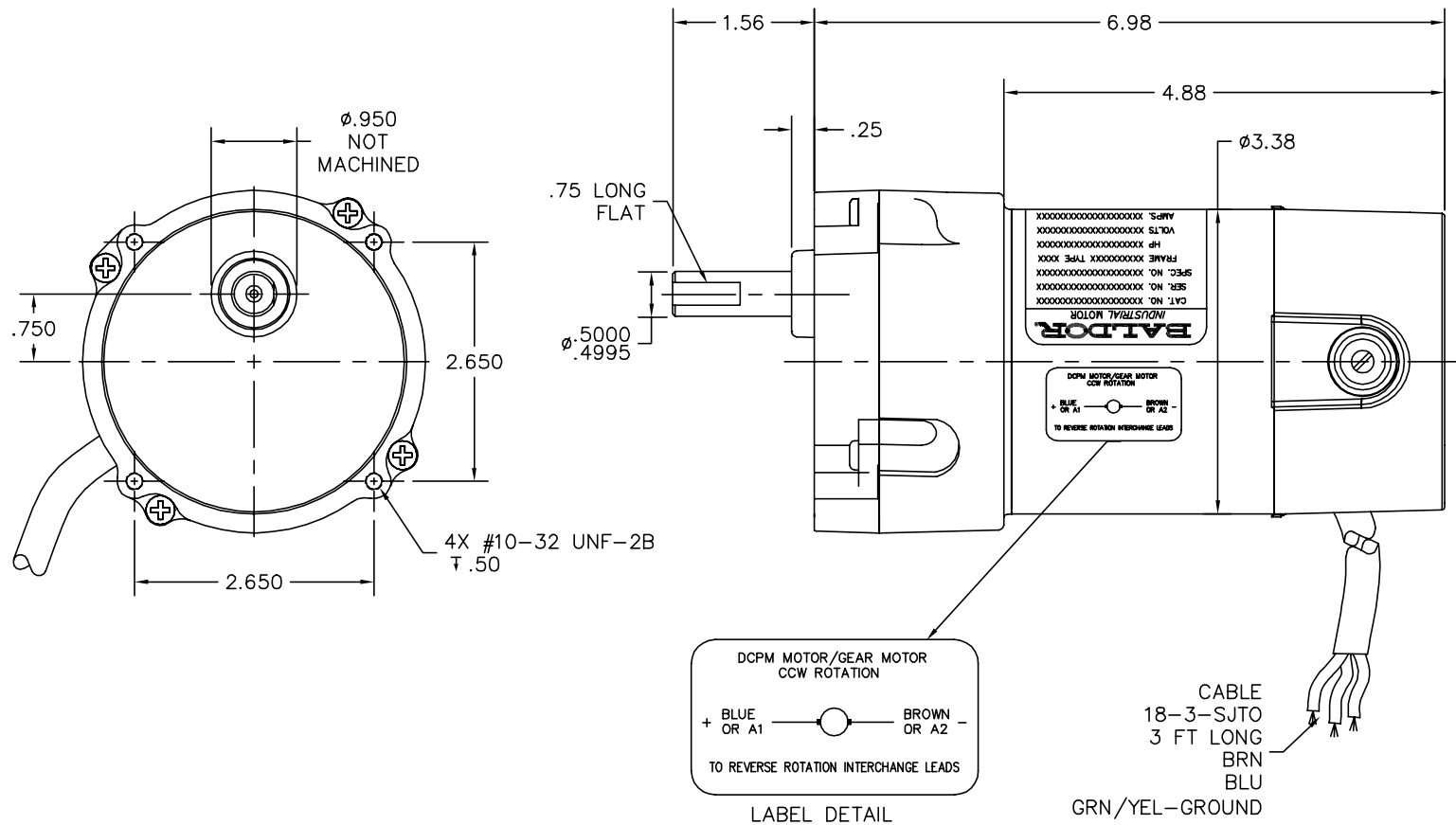
.08HP,DC,PSSH-0,2412P,TENV,F1

Part Detail							
Revision:	W	Status:	PRD/A	Change #:		Proprietary:	No
Type:	DC	Prod. Type:	2412P	Elec. Spec:	24WGZ011	CD Diagram:	CD1899
Enclosure:	TENV	Mfg Plant:		Mech. Spec:		Layout:	24A002Z011G3
Frame:		Mounting:		Poles:	00	Created Date:	
Base:		Rotation:	R	Insulation:	F	Eff. Date:	09-22-2017
Field Type:		Literature:		Elec. Diagram:		Replaced By:	

Specs			
Enclosure:	TENV		
Gearhead Type:	PARALLEL SHAFT		
Gear Ratio:	60:1		
Gear Style:	PSSH		
Mounting Arrangement:	0.000		
Product Family:	General Purpose		

Nameplate NP1220A08	
CAT.NO.	GPP12505
SER.NO.	
SPEC.	24A002Z011G3
FRAME	PSSH TYPE 2412P
HP	.083 TE
VOLTS	90DC
AMP	1.0
F.F.	1.54 CLASS F
AMB.	40 DUTY CONT
BRUSHES	2/BP5052BP01
R.P.M.	43
TORQ/IN LB	112
RATIO	60:1
APRV-CE	<input type="checkbox"/> APRV-CUL <input type="checkbox"/>

24A002Z011G3



CUSTOMER IS RESPONSIBLE FOR DETERMINING THAT BALDOR'S PRODUCT WILL PERFORM SUITABLY IN THE INTENDED APPLICATION.

REV. DESC: REMOVE NOTE FROM LAYOUT FOR GREASE VH201871203		
REV. LTR: A	VERSION: 01	TDR: 000000796140
FILE: \CKA\00035\221		REVISED: 01:08:45 04/22/2013
MTL: -		BY: CKMICRO

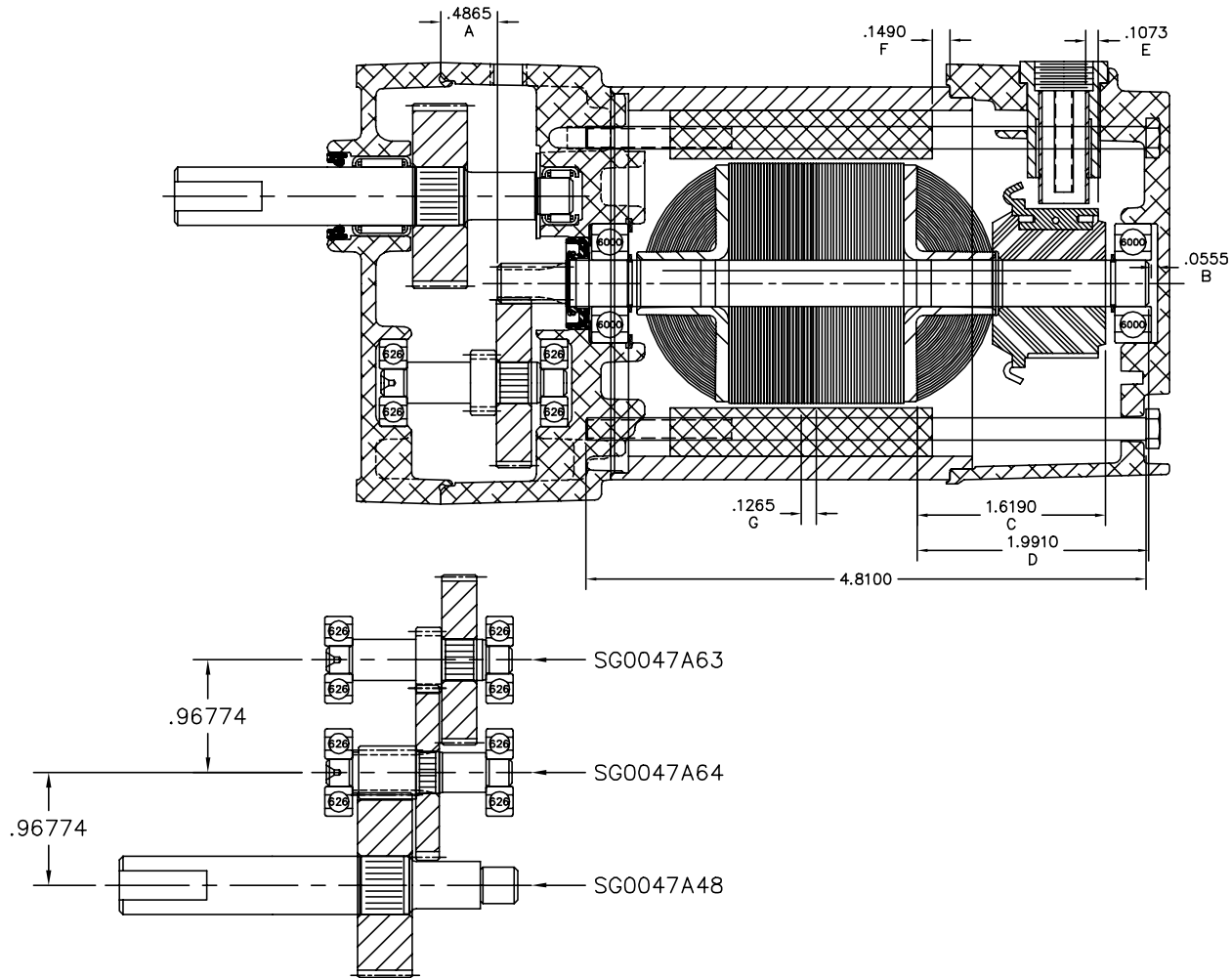
BALDOR

LY,24DC PSSH DOM TENV 1.56 X 0.50 FLAT

SH 1 of 2

24A002Z011G3

24A002Z011G3



24A002Z011G3

CUSTOMER IS RESPONSIBLE FOR DETERMINING THAT BALDOR'S PRODUCT WILL PERFORM SUITABLY IN THE INTENDED APPLICATION.

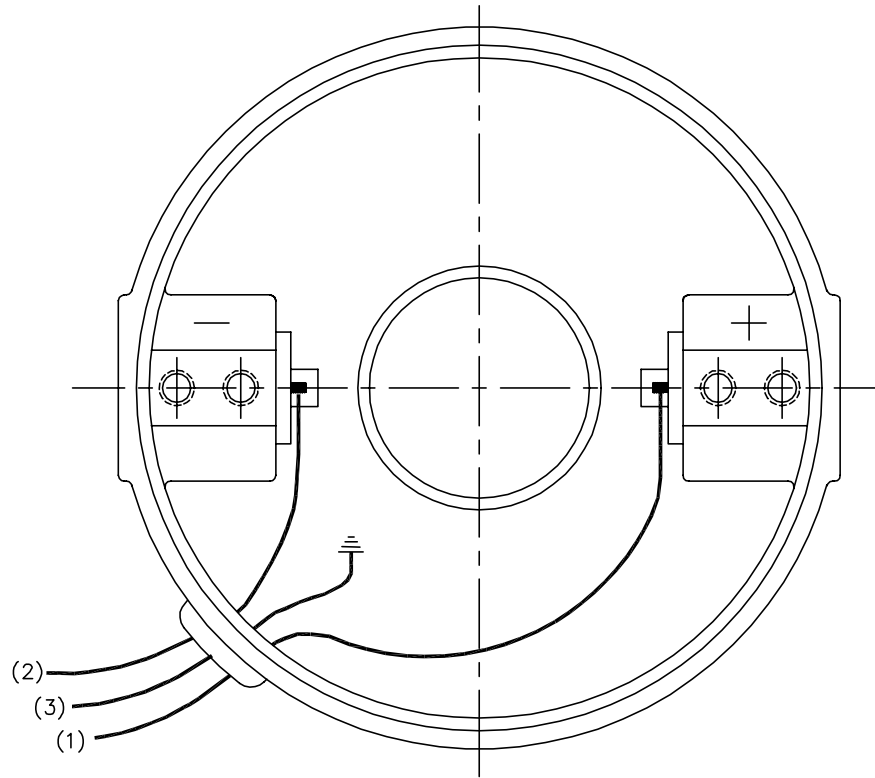
REV. DESC: REMOVE NOTE FROM LAYOUT FOR GREASE VH201871203		
REV. LTR: A	VERSION: 01	TDR: 000000796140
FILE: \CKA\00035\221	REVISED: 01:08:46 04/22/2013	
MTL: -	BY: CKMICRO	

BALDOR

LY,24DC PSSH DOM TENV 1.56 X 0.50 FLAT

SH 2 of 2

CD1899



(1) COLOR MAY BE
RED
WHT
BLU

(2) COLOR MAY BE
BLK
BRN

(3) COLOR WHEN REQ.
GRN
GRN/YEL

VIEWED FROM
DRIVE END

REV. DESC: NEW			
REV. LTR: -	BY: PAW	REVISED: 09:06:34 09/16/2004	TDR: 341564
668100		FILE: CKA00025830	REF: CD1899
		MTL: -	

BALDOR ELECTRIC Co.

PM,2LD,REV,TANG,CK

CD1899