

# **BALDOR**® • ***RELIANCE***

## **Product Information Packet**

# **CDP3603**

**3HP,1750RPM,DC,184TC,3649P,TEFC,F1**

| Part Detail |       |             |       |                |          |               |            |
|-------------|-------|-------------|-------|----------------|----------|---------------|------------|
| Revision:   | S     | Status:     | PRD/A | Change #:      |          | Proprietary:  | No         |
| Type:       | DC    | Prod. Type: | 3649P | Elec. Spec:    | 36WGZ507 | CD Diagram:   | CD0194     |
| Enclosure:  | TEFC  | Mfg Plant:  |       | Mech. Spec:    | 36P181   | Layout:       | 36LYP181   |
| Frame:      | 182TC | Mounting:   | F1    | Poles:         | 00       | Created Date: |            |
| Base:       | RG    | Rotation:   | R     | Insulation:    | F        | Eff. Date:    | 08-17-2015 |
| Field Type: |       | Literature: |       | Elec. Diagram: |          | Replaced By:  |            |

| Specs                          |                         |  |  |
|--------------------------------|-------------------------|--|--|
| Enclosure:                     | TEFC                    |  |  |
| Frame:                         | 184TC                   |  |  |
| Frame Material:                | Steel                   |  |  |
| XP Class and Group:            | None                    |  |  |
| Agency Approvals:              | CE                      |  |  |
|                                | CSA                     |  |  |
|                                | UR                      |  |  |
| Base Indicator:                | Rigid                   |  |  |
| Bearing Grease Type:           | Polyrex EM (-20F +300F) |  |  |
| Drip Cover:                    | No Drip Cover           |  |  |
| Duty Rating:                   | CONT                    |  |  |
| Feedback Device:               | NO FEEDBACK             |  |  |
| Heater Indicator:              | No Heater               |  |  |
| Insulation Class:              | F                       |  |  |
| Lifting Lugs:                  | Standard Lifting Lugs   |  |  |
| Motor Lead Quantity/Wire Size: | 2 @ 12 AWG              |  |  |

|                                  |                    |  |  |
|----------------------------------|--------------------|--|--|
| <b>Motor Lead Exit:</b>          | Ko Box             |  |  |
| <b>Motor Lead Termination:</b>   | Flying Leads       |  |  |
| <b>Mounting Arrangement:</b>     | F1                 |  |  |
| <b>Product Family:</b>           | General Purpose    |  |  |
| <b>Pulley End Bearing Type:</b>  | Sealed Bearing     |  |  |
| <b>RoHS Status:</b>              | ROHS COMPLIANT     |  |  |
| <b>Shaft Extension Location:</b> | Pulley End         |  |  |
| <b>Shaft Ground Indicator:</b>   | No Shaft Grounding |  |  |
| <b>Shaft Rotation:</b>           | Reversible         |  |  |
| <b>Shaft Slinger Indicator:</b>  | No Slinger         |  |  |
| <b>Motor Standards:</b>          | NEMA               |  |  |

|                          |                            |          |                            |
|--------------------------|----------------------------|----------|----------------------------|
| <b>Nameplate NP0891L</b> |                            |          |                            |
| CAT.NO.                  | CDP3603                    |          |                            |
| SPEC.                    | 36P181Z507                 |          |                            |
| HP                       | 3                          | ENCL     | TEFC                       |
| RPM                      | 1750                       |          |                            |
| FRAME                    | 184TC                      | TYPE     | 3649P                      |
| ARM V                    | 180                        | ARM A    | 14                         |
| FLD V                    |                            | FLD A    |                            |
| INSUL                    | F                          | AMB.     | 40                         |
| DUTY                     | CONT                       | SUPPLY   | K                          |
| BRG/DE                   | 6206                       | BRG/ODE  | 6206                       |
| BRUSHES                  | 2/BP5031A01                |          |                            |
|                          |                            | BLANK    | IP44                       |
| SER.                     |                            |          |                            |
| BLANK                    |                            |          |                            |
| APRV-CE                  | <input type="checkbox"/> Y | APRV-CSA | <input type="checkbox"/> Y |
|                          |                            | APRV-UL  | <input type="checkbox"/> Y |

**DC Motor Performance Data**

Record # 311 - Typical performance - not guaranteed values

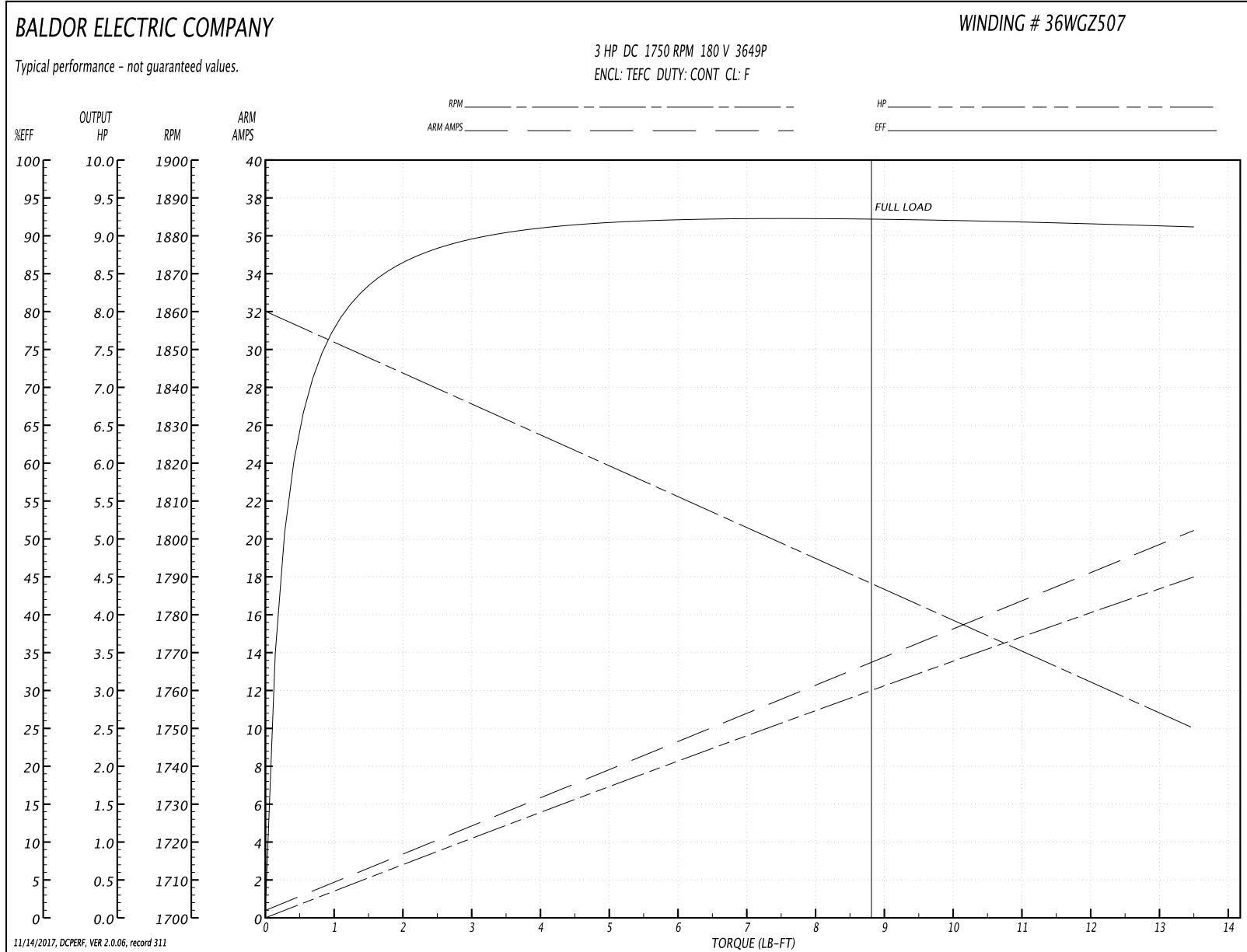
|                               |                    |                        |
|-------------------------------|--------------------|------------------------|
| <b>Winding:</b> 36WGZ507-R001 | <b>Type:</b> 3649P | <b>Enclosure:</b> TEFC |
|-------------------------------|--------------------|------------------------|

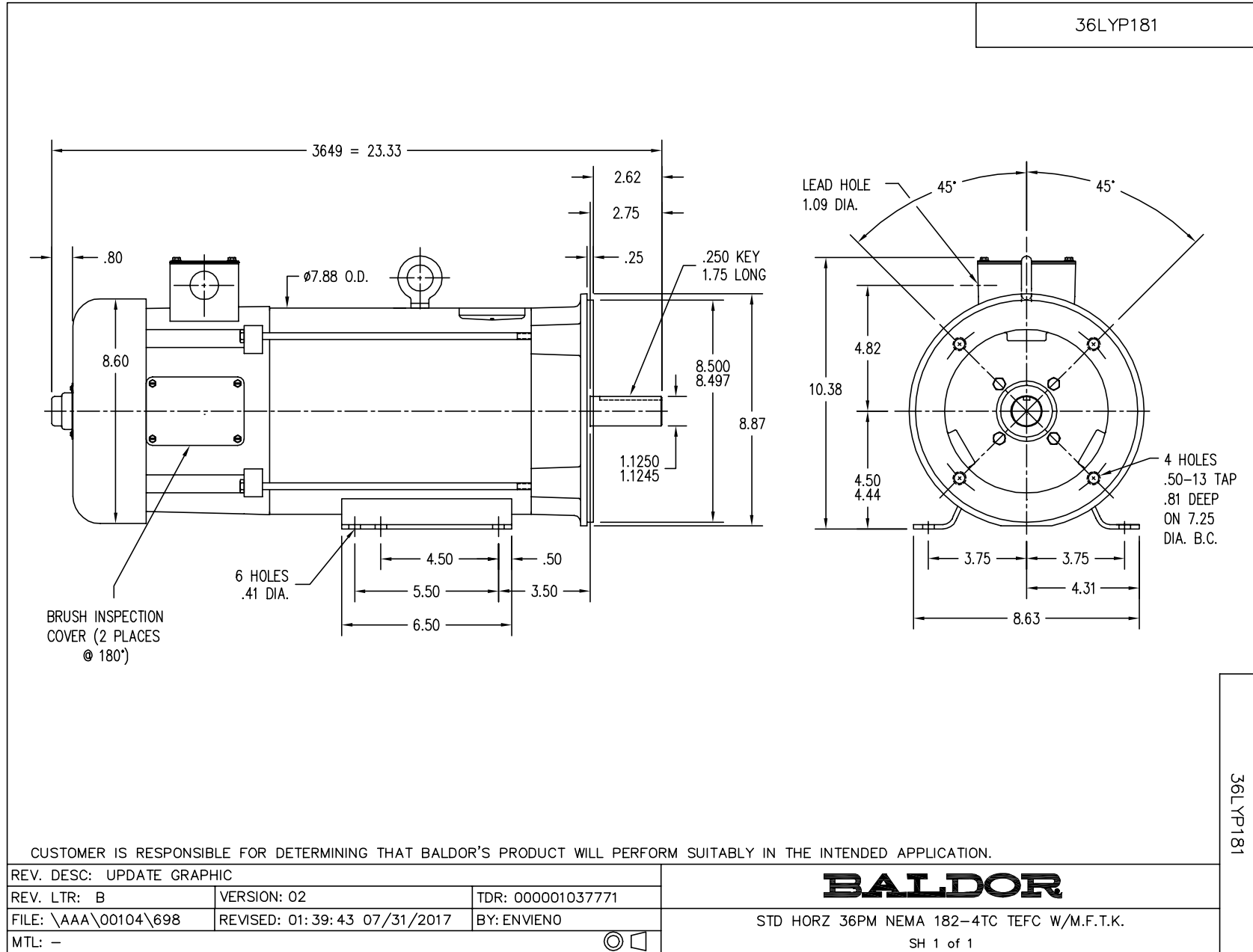
| Nameplate Data    |              | General Characteristics    |          |
|-------------------|--------------|----------------------------|----------|
| Rated Output (HP) | 3            | Armature Resistance @ 25°C | 0.3209 Ω |
| R.P.M.            | 1750         |                            |          |
| Armature Volts    | 180          |                            |          |
| Armature Amps     | 14           |                            |          |
| Field Volts       |              |                            |          |
| Field Amps        |              |                            |          |
| Rating - Duty     | 40C AMB-CONT |                            |          |
| Power Supply Code | K            |                            |          |
|                   |              |                            |          |

Load Characteristics at 180 Armature Volts

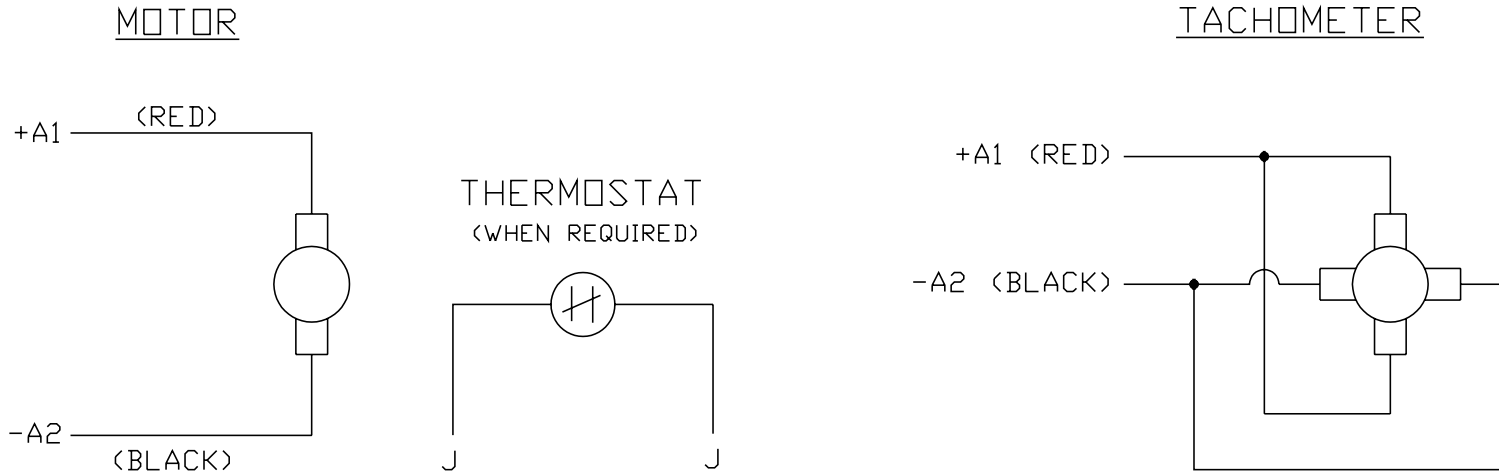
| Load Point       | 1    | 2    | 3    | 4    | 5     | 6     | 7     |
|------------------|------|------|------|------|-------|-------|-------|
| Armature Amps    | 0.4  | 3.37 | 6.34 | 9.01 | 12.28 | 13.51 | 20.45 |
| R.P.M.           | 1860 | 1844 | 1827 | 1813 | 1795  | 1788  | 1750  |
| Torque ( LB-FT ) | 0    | 2    | 4    | 5.8  | 8     | 8.83  | 13.5  |

Performance Graph at 180.0 Arm V, 3.0HP Typical performance - Not guaranteed values





CD0194



NOTES:

1. CCW ROTATION AS SHOWN FACING COMMUTATOR END. TO REVERSE MOTOR ROTATION OR TACHOMETER OUTPUT POLARITY INTERCHANGE LEADS A1(RED) & A2(BLACK)
2. LEAD COLORS FOR REFERENCE ONLY & NOT SPECIFIED BY THIS DRAWING. LEAD COLORS SPECIFIED BY LAYOUT DRAWING & BILL OF MATERIAL ONLY.

|         |  |              |                   |
|---------|--|--------------|-------------------|
| MATL: - |  |              |                   |
| REV: E  | ADDED NOTE "LEAD COLORS FOR REFERENCE ONLY &..." |              |                   |
| CD0194  | SCALE: -   | BY: CK       | REVISED: 07/28/95 |
|         | FILE: AAA00004503                                | TDR: 0078737 |                   |

**BALDOR ELECTRIC Co.**

CD TYPE P DC PERMANENT MAGNET MOTORS AND TACHOMETERS

CD0194