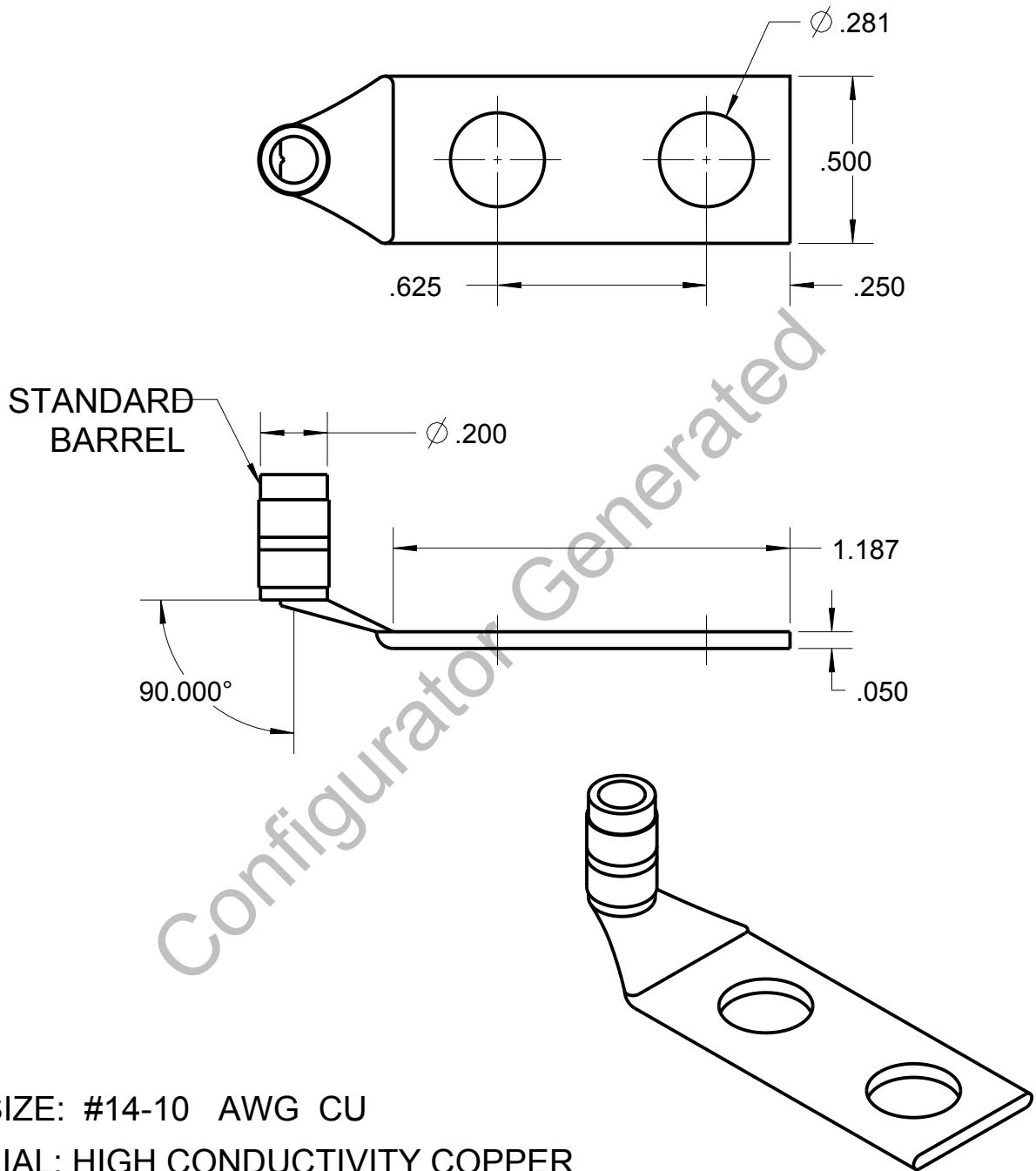


Blackburn Compression

Featuring the Color-Keyed® System


CATALOG NO. 54201UB



WIRE SIZE: #14-10 AWG CU

MATERIAL: HIGH CONDUCTIVITY COPPER

FINISH: TIN PLATED

| | | | | | |
|---|--|--|-----------|----------|------------------------|
| GENERAL NOTES | |  www.tnb.com | | | |
| 1. ALL DIMENSIONS ARE FOR REFERENCE ONLY. 2. DIMENSIONS IN BRACKETS [] ARE IN METRIC UNITS. | | | | | |
| REVISIONS | | DESCRIPTION: 2 HOLE LUG | | | |
| ** SEE ERN (****) FOR APPROVAL SIGNATURES & RELEASE DATE. PROJECT NO: **** | | ORIGINAL PROJECT NO / (ERN NO) | SHEET NO: | REV. NO: | DRAWING NO: WSD-002721 |
| | | / () | 1 OF 1 | 0 | 54201UB |

THIS DRAWING IS INTENDED FOR DESCRIPTIVE PURPOSES ONLY. AND THE RIGHT IS RESERVED TO DEVIATE FROM ANY OF THE DETAILS SHOWN HEREON.

© 2005 Thomas & Betts - Proprietary, All Rights Reserved