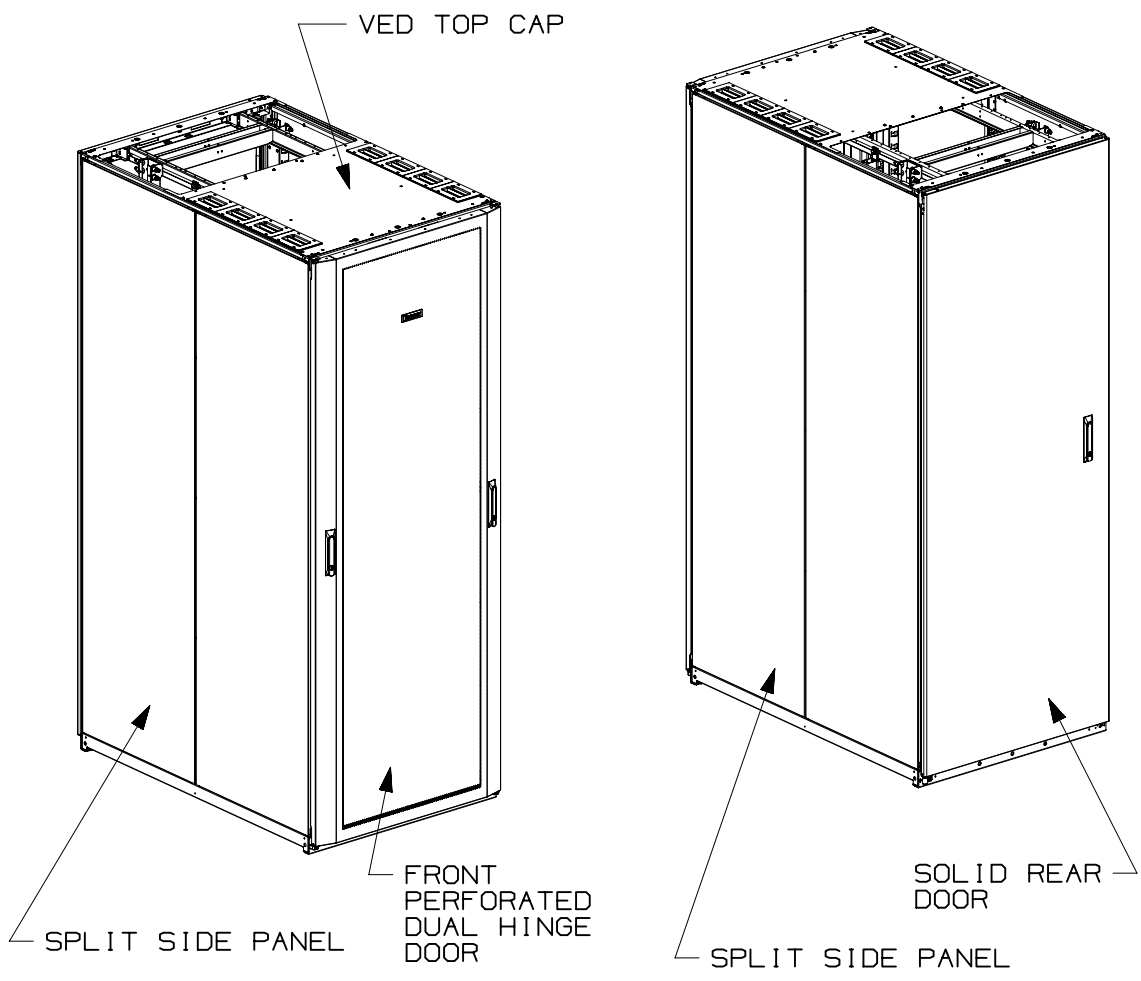


2

1

THIS COPY IS PROVIDED ON A RESTRICTED BASIS AND IS NOT TO BE USED IN ANY WAY DETRIMENTAL TO THE INTERESTS OF PANDUIT CORP.



1. VISIT OUR ON-LINE CATALOG AT WWW.PANDUIT.COM FOR A LIST OF CURRENT PARTS APPLICABLE FOR USE WITH THIS PRODUCT.
2. PRIMARY DIMENSIONS ARE IN MILLIMETERS.
3. INDEPENDENT ADJUSTABLE REAR EQUIPMENT MOUNTING RAILS (EIA) ADJUST FROM 130mm [5.1in] TO 422mm [16.6in], AND FROM 469mm [18.46in] TO 751mm [29.56in]. WITH NO FINGERS OR POU'S, 913mm [35.94in] TO 964mm [37.95in].
4. CAN BE USED WITH ANY 19" EIA STANDARD COMPONENT IN ADDITION TO ALL PANDUIT HORIZONTAL CABLE MANAGEMENT AND PATCH PANEL PRODUCTS.
5. EIA UNIVERSAL STANDARD HOLE PROGRESSION ON EQUIPMENT RAILS 15.88mm [.625in], 15.88mm [.625in], 12.70mm [.5in], 15.88mm [.625in], 15.88mm [.625in], 12.7mm [.5in]...ETC.
6. PARTS SUPPLIED:  
 -BASE CABINET  
 OPTIONAL COMPONENTS:  
 -FRONT PERFORATED DUAL HINGE DOOR (SEE CHART ON SHEET 2)  
 -SOLID SEALED REAR DOOR (SEE CHART ON SHEET 2)  
 -#12-24 TAPPED EQUIPMENT RAILS FRONT & REAR  
 -SPLIT SIDE PANELS (SEE CHART ON SHEET 2)  
 -VERTICAL CABLE MANAGEMENT FINGERS (SEE CHART ON SHEET 2)  
 -(8)BEZELS & BLANKS  
 -FLOOR SEAL KIT  
 -CABINET HARDWARE KIT  
 -INSTRUCTION SHEET
7. RACK UNIT SPACING NUMERALS ARE CLEARLY PRINTED ON EQUIPMENT MOUNTING RAILS.
8. FULLY BONDED STRUCTURE WHEN ASSEMBLED PER INSTRUCTIONS.
9. STATIC LOAD RATING: 1360 Kg (3000 LBS)
10. ROLLING LOAD RATING. 1133 Kg (2500 LBS)
11. SINGLE POINT GROUND LOCATIONS AT TOP AND BOTTOM OF CABINET.
12. ALL CABINET RAILS ARE INSTALLED NUMBERS UP.
13. MAXIMUM EQUIPMENT DEPTH, 992mm [39.06].

A

A

REV	DATE	BY	CHK	APR	DESCRIPTION	ECN
01B	02-26-15	MDCA	BRAP	TCN	REVISED TOP VIEW	V09000HA
01A	12-08-14	PBS	ADP	TCN	FLOOR MOUNT DIMENSIONS UPDATED	V09000BX
00B	7-15-14	TWV			DRAWING UPDATE	12V343SQ-DC
00A	2-19-13	TWV	JDW	JDWE	RELEASED TO PRODUCTION	12V343SQ-DC

TITLE  
**NET-ACCESS N TYPE VED READY CABINET  
 800mm WIDE X 1200mm DEEP FAMILY**  
 CUSTOMER DRAWING

ITEM REVISION NAME  
 12V343SQ/01.PRT

DATASET FILE NAME  
 12V343SQ\_DC/01B.PRT

**PANDUIT**

MATERIAL:  
 N/A

DRAWING NUMBER:  
**12V343SQ-DC**

THIRD ANGLE PROJECTION

DRAWN BY: TWV    DATE: 2-19-13    CHK: JDW    SCALE: NONE

SHT 1 OF 5    SIZE: A

2

1

2

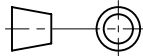
1

THIS COPY IS PROVIDED ON A RESTRICTED BASIS AND IS NOT TO BE USED IN ANY WAY DETRIMENTAL TO THE INTERESTS OF PANDUIT CORP.

PART NO.	DESCRIPTION	DUAL HINGE DOOR	SOLID REAR DOOR	CABLE MGMT FINGERS SET	SPLIT SIDE PANEL	TAPPED E-RAIL	CABINET WEIGHT FULLY UNPACKAGED	CABINET WEIGHT SHIPPING WEIGHT
N8222*V	NET-ACCESS N-TYPE VED READY CABINET 42RUX1200mm DEEP	01	01	02	02	02	137 Kg/EACH 303 LBS/EACH	158 Kg/EACH 348 LBS/EACH
N8522*V	NET-ACCESS N-TYPE VED READY CABINET 45RUX1200mm DEEP	01	01	02	02	02	147 Kg/EACH 325 LBS/EACH	168 Kg/EACH 370 LBS/EACH
N8822*V	NET-ACCESS N-TYPE VED READY CABINET 48RUX1200mm DEEP	01	01	02	02	02	157 Kg/EACH 347 LBS/EACH	178 Kg/EACH 392 LBS/EACH
N8229*V	NET-ACCESS N-TYPE VED READY CABINET 42RUX1200mm DEEP	01	01	02	00	02	101 Kg/EACH 223 LBS/EACH	121 Kg/EACH 268 LBS/EACH
N8529*V	NET-ACCESS N-TYPE VED READY CABINET 45RUX1200mm DEEP	01	01	02	00	02	108 Kg/EACH 238 LBS/EACH	128 Kg/EACH 283 LBS/EACH
N8829*V	NET-ACCESS N-TYPE VED READY CABINET 48RUX1200mm DEEP	01	01	02	00	02	115 Kg/EACH 253 LBS/EACH	135 Kg/EACH 298 LBS/EACH

\* DENOTES COLOR  
 "B" = BLACK  
 "W" = WHITE

REV	DATE	BY	CHK	APR	DESCRIPTION	ECN
01B	02-26-15	MDCA	BRAP	TCN	SEE SHEET 1 OF 5 FOR REVISIONS	V09000HA
01A	12-08-14	PBS	ADP	TCN	SEE SHEET 1 OF 5 FOR REVISIONS	V09000BX
00B	7-15-14	TWV			SEE SHEET 1 OF 5 FOR REVISIONS	12V343SQ-DC
00A	2-19-13	TWV	JDW	JDWE	SEE SHEET 1 OF 5 FOR REVISIONS	12V343SQ-DC

TITLE NET-ACCESS N TYPE VED READY CABINET 800mm WIDE X 1200mm DEEP FAMILY CUSTOMER DRAWING	
ITEM REVISION NAME 12V343SQ/01.PRT	<b>PANDUIT</b>
DATASET FILE NAME 12V343SQ_DC/01B.PRT	
MATERIAL: N/A	
DRAWING NUMBER: 12V343SQ-DC	
 THIRD ANGLE PROJECTION	
DRAWN BY TWV	DATE 2-19-13
CHK JDW	SCALE NONE
SHT 2 OF 5	
SIZE A	

2

1

THIS COPY IS PROVIDED ON A RESTRICTED BASIS AND IS NOT TO BE USED IN ANY WAY DETRIMENTAL TO THE INTERESTS OF PANDUIT CORP.

1269  
[50.0]

798  
[31.4]

HEIGHT  
WITHOUT  
CASTERS

42RU  
2000  
[78.8]

45RU  
2134  
[84.0]

48RU  
2267  
[89.3]

1220 [48.0]  
TILE COVERAGE  
DEPTH

47 FRONT  
DOOR  
DEPTH  
[1.9]

LEFT VIEW

FRONT VIEW

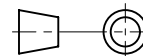
RIGHT VIEW

REAR VIEW

ADD 26mm [1.0"] TO CABINET'S HEIGHT FOR CASTERS

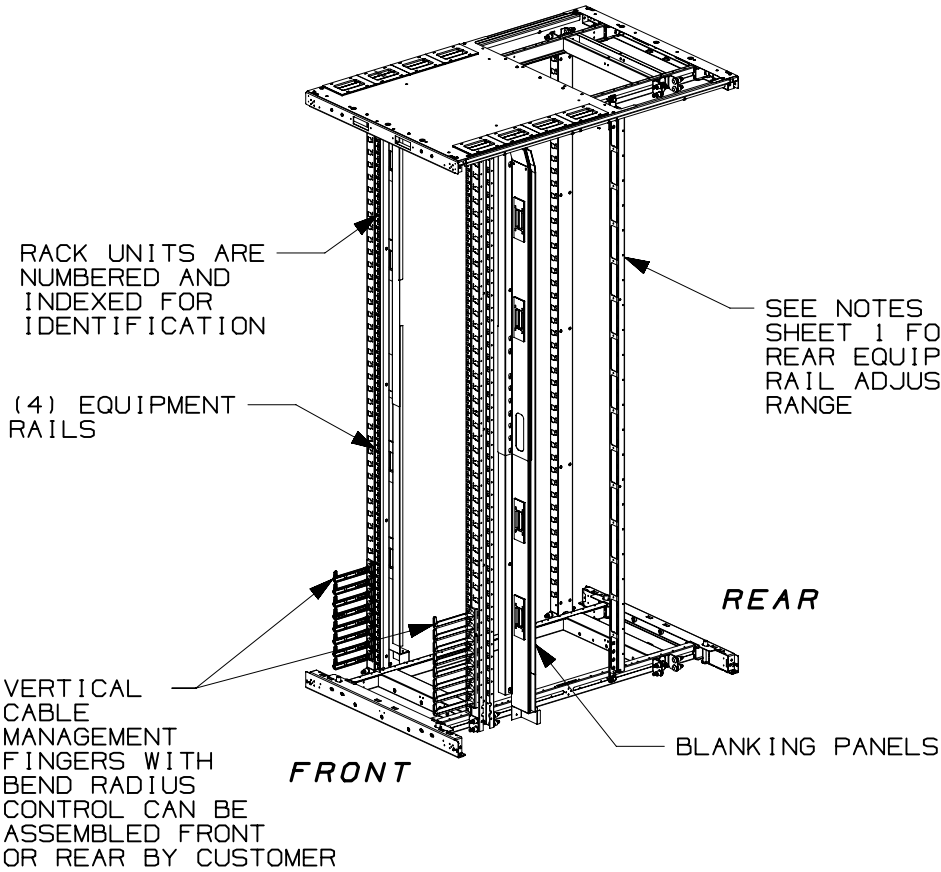
REV	DATE	BY	CHK	APR	DESCRIPTION	ECN
01B	02-26-15	MDCA	BRAP	TCN	SEE SHEET 1 OF 5 FOR REVISIONS	V09000HA
01A	12-08-14	PBS	ADP	TCN	SEE SHEET 1 OF 5 FOR REVISIONS	V09000BX
00B	7-15-14	TWV			SEE SHEET 1 OF 5 FOR REVISIONS	12V343SQ-DC
00A	2-19-13	TWV	JDW	JDWE	SEE SHEET 1 OF 5 FOR REVISIONS	12V343SQ-DC

TITLE NET-ACCESS N TYPE VED READY CABINET 800mm WIDE X 1200mm DEEP FAMILY CUSTOMER DRAWING	
ITEM REVISION NAME 12V343SQ/01.PRT	<b>PANDUIT</b>
DATASET FILE NAME 12V343SQ_DC/01B.PRT	
MATERIAL: N/A	
DRAWING NUMBER: 12V343SQ-DC	
DRAWN BY TWV	DATE 2-19-13
CHK JDW	SCALE NONE
SHT 3 OF 5	
SIZE A	



THIRD ANGLE  
PROJECTION

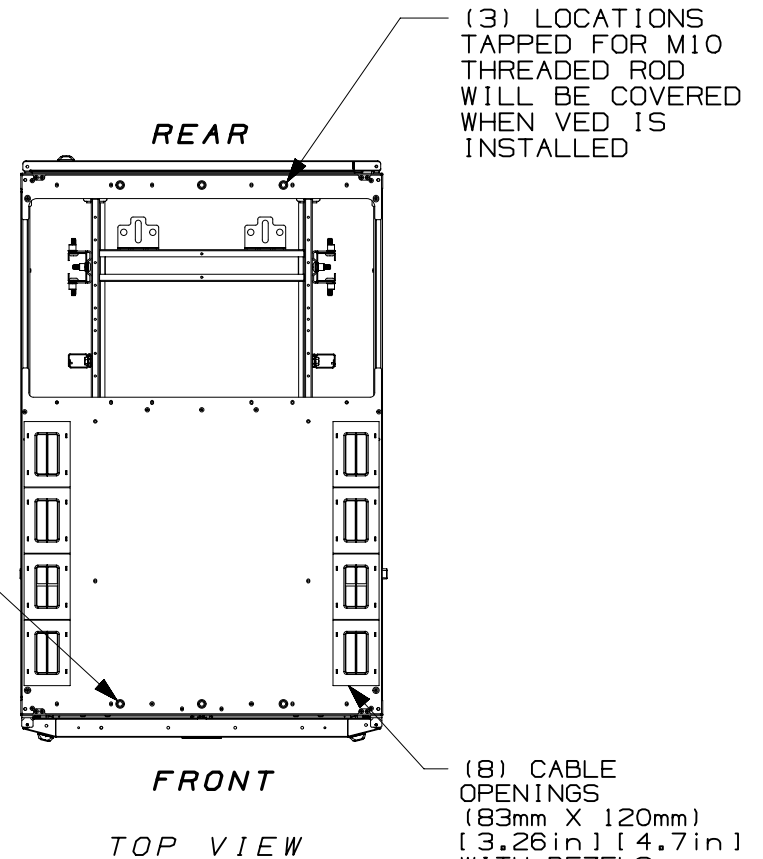
THIS COPY IS PROVIDED ON A RESTRICTED BASIS AND IS NOT TO BE USED IN ANY WAY DETRIMENTAL TO THE INTERESTS OF PANDUIT CORP.



SEE NOTES ON SHEET 1 FOR REAR EQUIPMENT RAIL ADJUSTMENT RANGE

(3) LOCATIONS TAPPED FOR M10 THREADED ROD

FRONT DOOR, REAR DOOR, AND SIDE PANELS NOT SHOWN



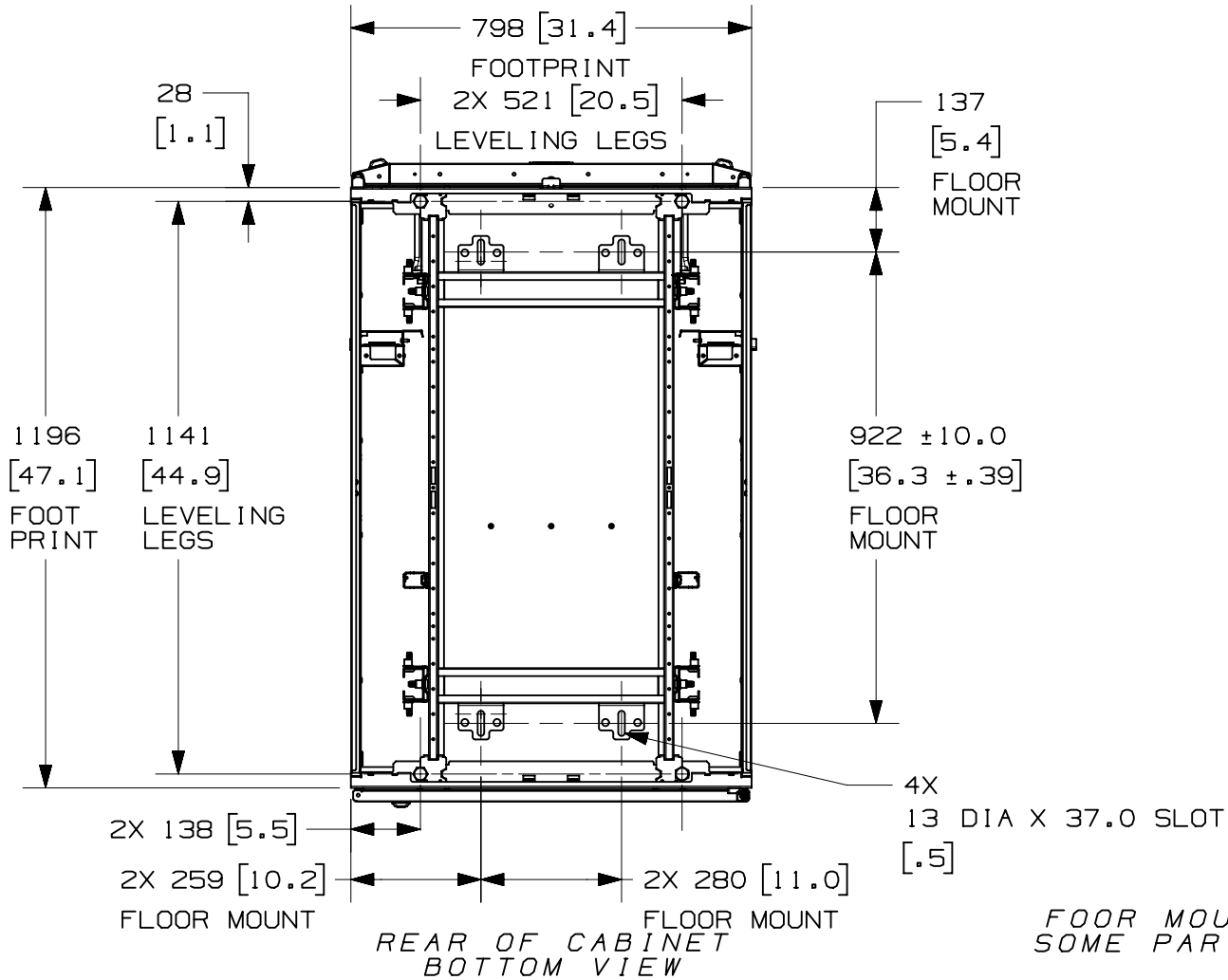
(3) LOCATIONS TAPPED FOR M10 THREADED ROD WILL BE COVERED WHEN VED IS INSTALLED

(8) CABLE OPENINGS (83mm X 120mm) [3.26in] [4.7in] WITH BEZELS AND COVERS, COMPATIBLE W/ COOL BOOT P/N: CTGN3X5

REV	DATE	BY	CHK	APR	DESCRIPTION	ECN
01B	02-26-15	MDCA	BRAP	TCN	SEE SHEET 1 OF 5 FOR REVISIONS	V09000HA
01A	12-08-14	PBS	ADP	TCN	SEE SHEET 1 OF 5 FOR REVISIONS	V09000BX
00B	7-15-14	TWV			SEE SHEET 1 OF 5 FOR REVISIONS	12V343SQ-DC
00A	2-19-13	TWV	JDW	JDWE	SEE SHEET 1 OF 5 FOR REVISIONS	12V343SQ-DC

TITLE				NET-ACCESS N TYPE VED READY CABINET 800mm WIDE X 1200mm DEEP FAMILY			
				CUSTOMER DRAWING			
ITEM REVISION NAME				12V343SQ/01.PRT			
DATASET FILE NAME				12V343SQ_DC/01B.PRT			
				MATERIAL:  N/A			
				DRAWING NUMBER: <b>12V343SQ-DC</b>			
DRAWN BY		DATE		CHK		SCALE	
TWV		2-19-13		JDW		NONE	
				THIRD ANGLE PROJECTION			
SHT 4 OF 5		SIZE		A			

THIS COPY IS PROVIDED ON A RESTRICTED BASIS AND IS NOT TO BE USED IN ANY WAY DETRIMENTAL TO THE INTERESTS OF PANDUIT CORP.



REV	DATE	BY	CHK	APR	DESCRIPTION	ECN
01B	02-26-15	MDCA	BRAP	TCN	SEE SHEET 1 OF 5 FOR REVISIONS	V09000HA
01A	12-08-14	PBS	ADP	TCN	SEE SHEET 1 OF 5 FOR REVISIONS	V09000BX
00B	7-15-14	TWV			SEE SHEET 1 OF 5 FOR REVISIONS	12V343SQ-DC
00A	2-19-13	TWV	JDW	JDWE	SEE SHEET 1 OF 5 FOR REVISIONS	12V343SQ-DC

TITLE NET-ACCESS N TYPE VED READY CABINET 800mm WIDE X 1200mm DEEP FAMILY CUSTOMER DRAWING	
ITEM REVISION NAME 12V343SQ/01.PRT	<b>PANDUIT</b>
DATASET FILE NAME 12V343SQ_DC/01B.PRT	
MATERIAL: N/A	
DRAWING NUMBER: 12V343SQ-DC	
THIRD ANGLE PROJECTION	
DRAWN BY TWV	DATE 2-19-13
CHK JDW	SCALE NONE
SHT 5 OF 5	
SIZE A	