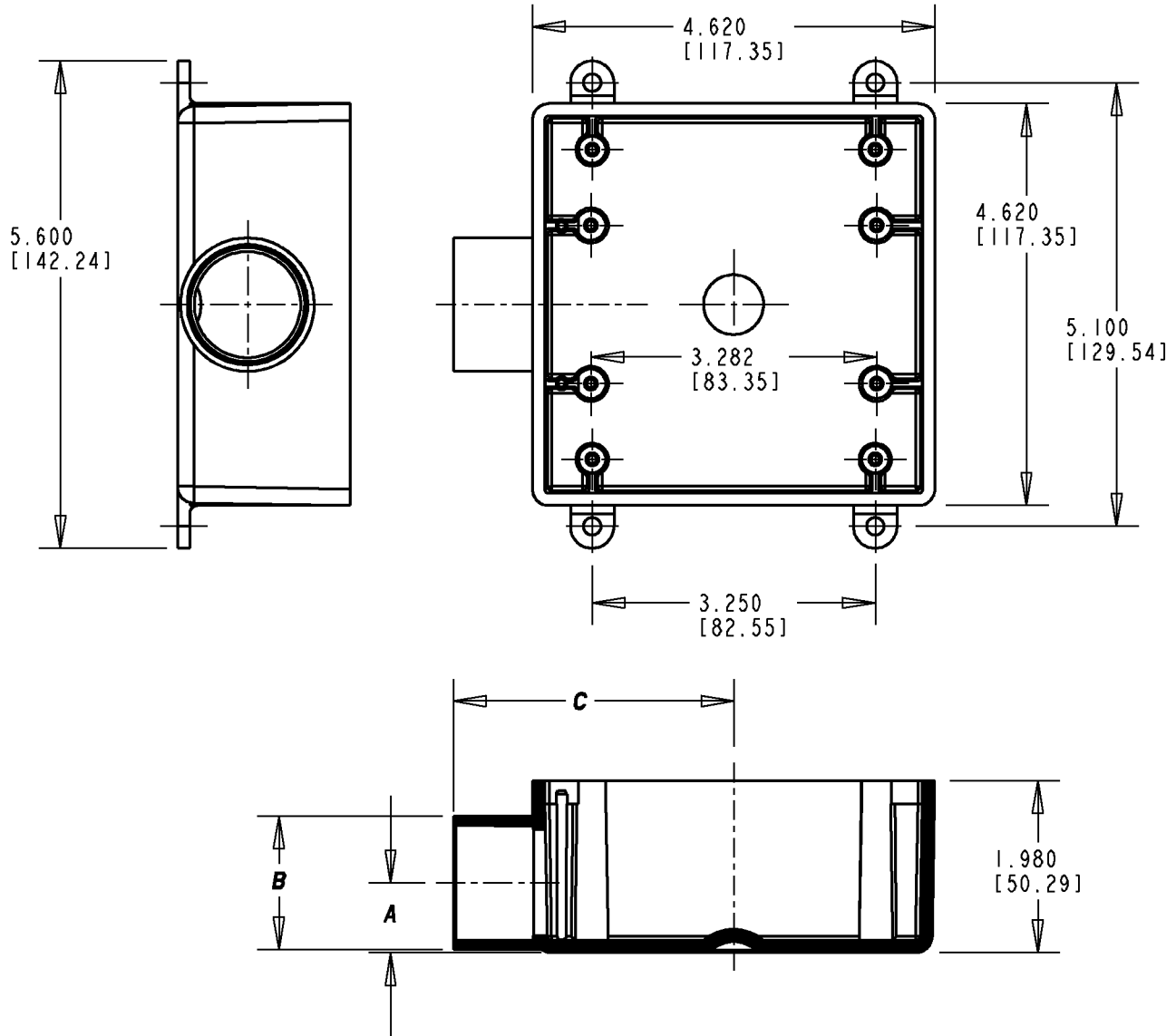


Carlton®

PART NO	PORT SIZE	VOL CU IN (mL)	A	B	C
E9802	NONE	31.5 (516)	-	-	-
E9802D	1/2" (16)	31.5 (516)	.566 (14.4)	1.05 (26.7)	2.990 (76.0)
E9802E	3/4" (21)	31.5 (516)	.672 (17.1)	1.265 (32.1)	3.060 (77.8)
E9802F	1" (27)	31.5 (516)	.805 (20.4)	1.535 (39.0)	3.220 (81.8)

NOTE: DIMENSIONS ARE IN INCHES (MILLIMETERS).



GENERAL NOTES

1. ALL DIMENSIONS ARE FOR REFERENCE ONLY.
2. DIMENSIONS IN BRACKETS [] ARE IN METRIC UNITS.

REVISIONS

** SEE ERN (****) FOR APPROVAL SIGNATURES & RELEASE DATE.
PROJECT NO: ****

Thomas & Betts
www.tnb.com

DESCRIPTION:

**2 GANG FS BOX
1 PORT (AND NO PORTS)**

ORIGINAL PROJECT NO / (ERN NO)

/ ()

SHEET NO:

1 OF 1

REV. NO:

**

DRAWING NO:

WSD-AC03775