

BALDOR® • RELIANCE

Product Information Packet

GPP230037

G.M. R18NA 90V DC 47 RPM 37.95:1

Part Detail							
Revision:	K	Status:	PRD/A	Change #:		Proprietary:	No
Type:	DC	Prod. Type:	2318P	Elec. Spec:	23WZ061	CD Diagram:	CD1899
Enclosure:	TENV	Mfg Plant:		Mech. Spec:		Layout:	23A277Z061G7
Frame:		Mounting:		Poles:	00	Created Date:	10-14-2010
Base:		Rotation:	R	Insulation:	F	Eff. Date:	09-22-2017
Field Type:		Literature:		Elec. Diagram:		Replaced By:	

Specs			
Enclosure:	TENV		
Gearhead Type:	PARALLEL SHAFT		
Gear Ratio:	37.95:1		
Gear Style:	PSSH		
Product Family:	General Purpose		

Nameplate NP1220A08	
CAT.NO.	GPP230037
SER.NO.	
SPEC.	23A277Z061G7
FRAME	PSSH TYPE 2318P
HP	.05 TE
VOLTS	90
AMP	.54
F.F.	1.37 CLASS F
AMB.	40 DUTY CONT
BRUSHES	2/BP5060DA02
R.P.M.	47
TORQ/IN LB	55
RATIO	37.95:1
APRV-CE	<input type="checkbox"/> APRV-CUL <input type="checkbox"/>

DC Motor Performance Data

Record # 2181 - Typical performance - not guaranteed values

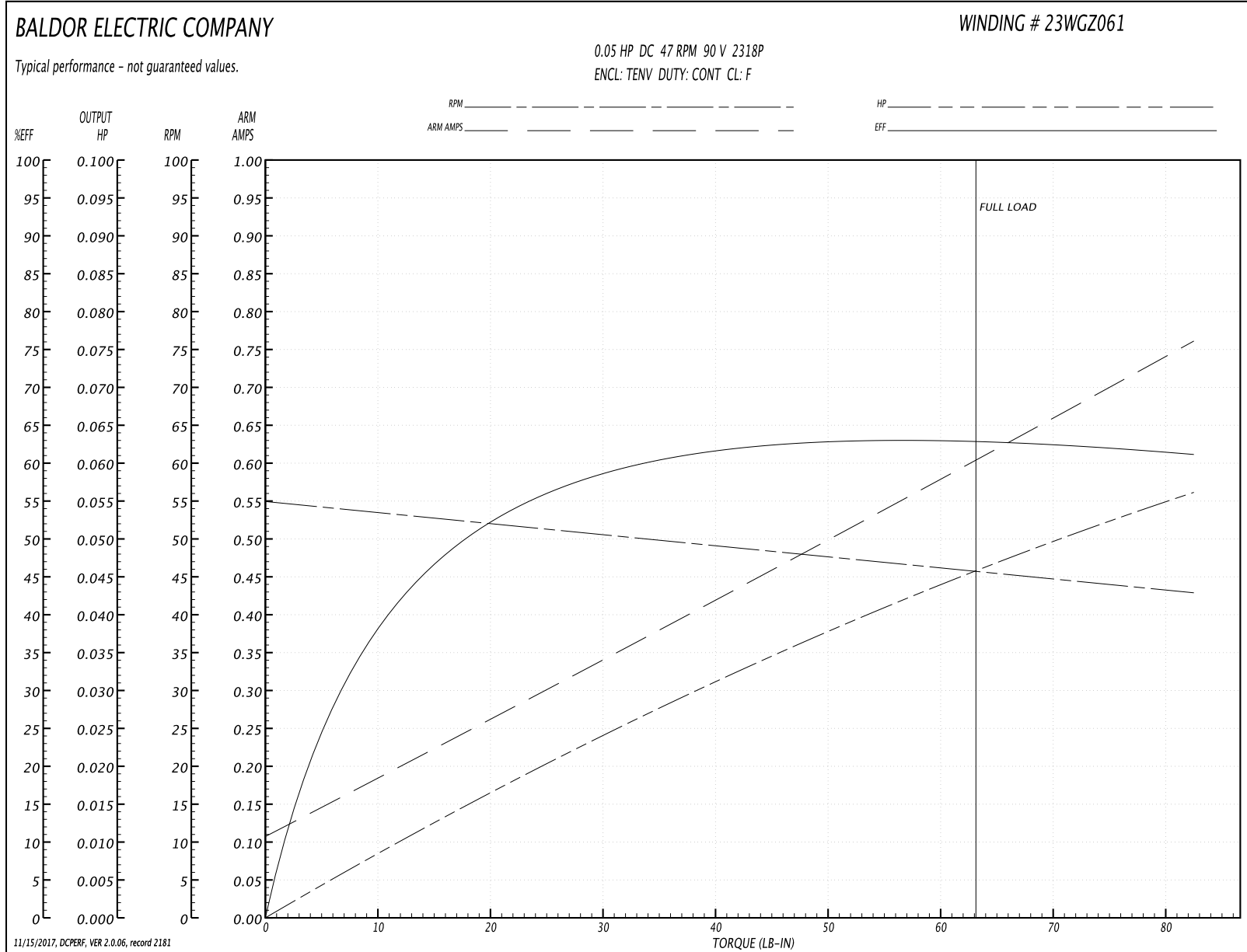
Winding: 23WGZ061-R003 Gear Type: PARALLEL	Type: 2318P Gear Style: PSSH	Enclosure: TENV Gear Ratio: 37.95:1
---	---	--

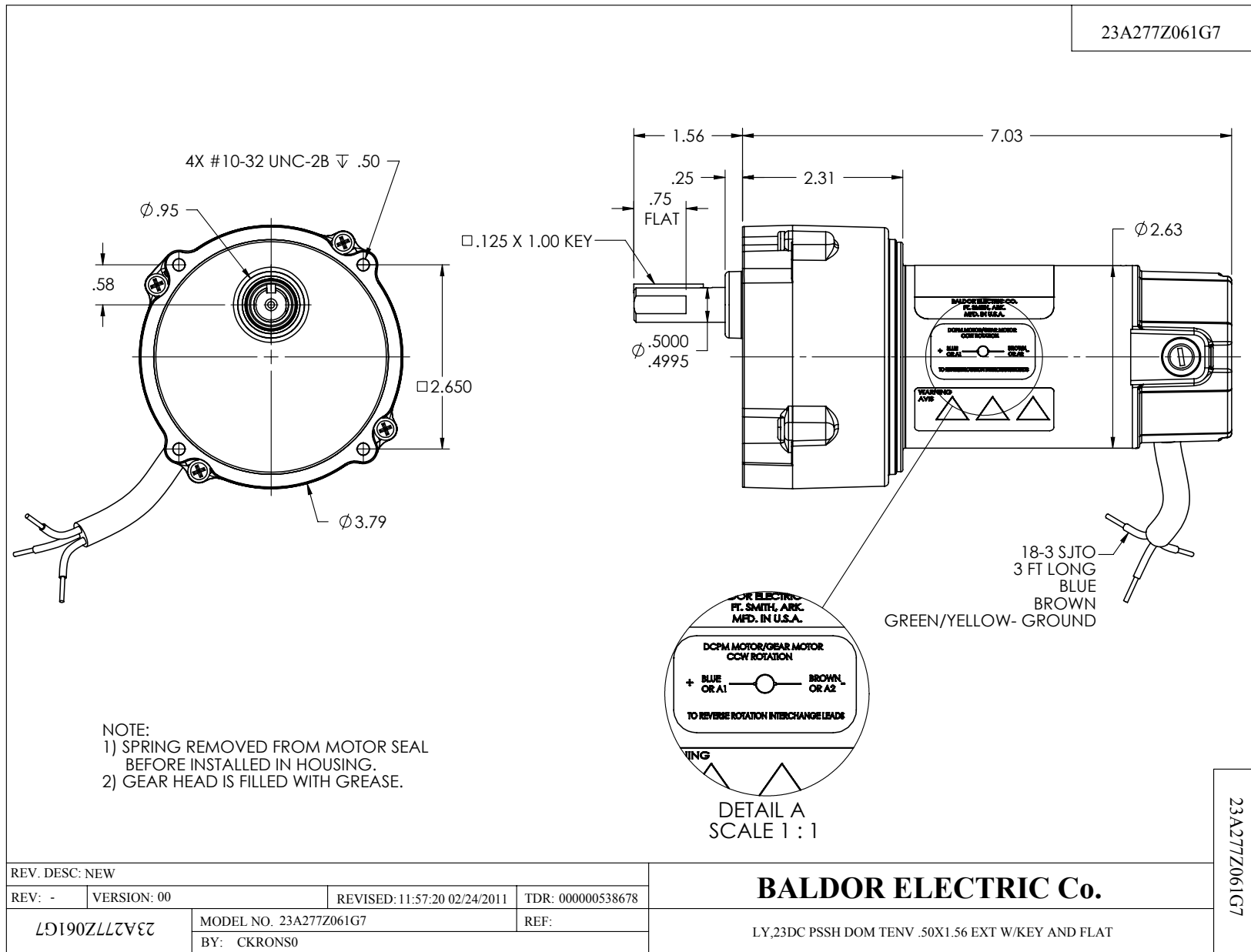
Nameplate Data		General Characteristics	
Rated Output (HP)	0.05	Armature Resistance @ 25°C	27.4 Ω
R.P.M.	47		
Armature Volts	90	Voltage Constant	41.5 v/krpm
Armature Amps	0.6		
Field Volts		Armature Inductance	54.8 mH
Field Amps		Armature Inertia	4.015 OI ²
Rating - Duty	40C AMB-CONT		
Form Factor	1.37	Maximum allowable inrush amps	6.98

Load Characteristics at 90 Armature Volts

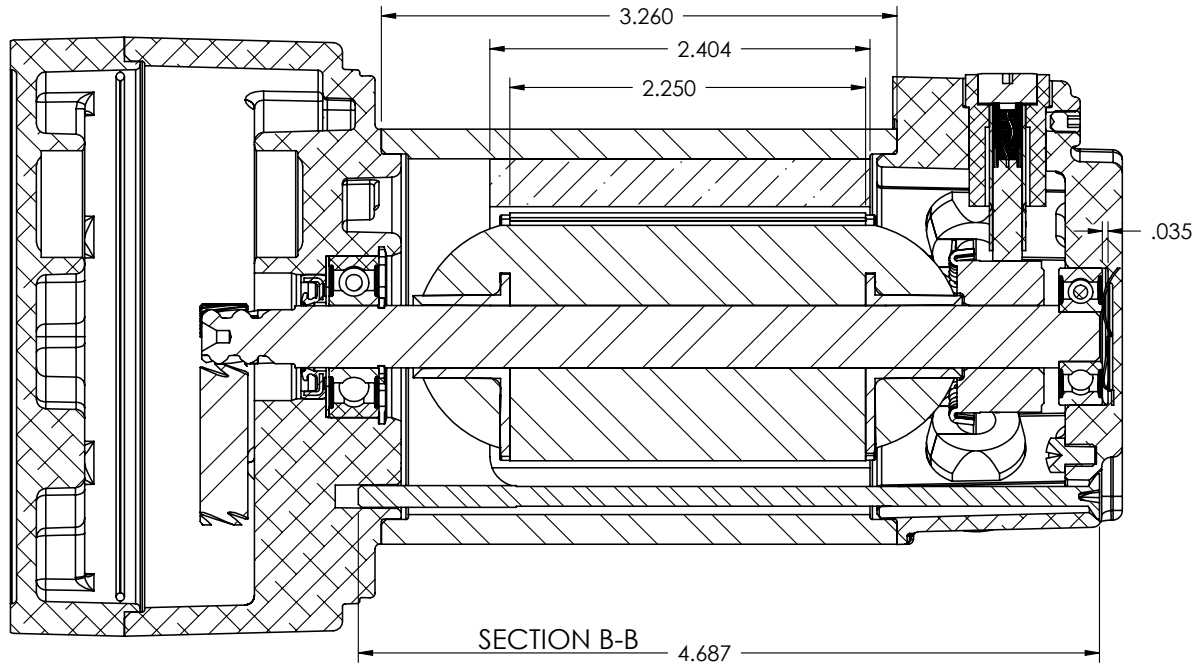
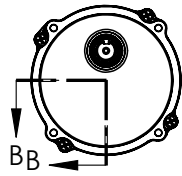
Load Point	1	2	3	4	5	6	7
Armature Amps	0.11	0.21	0.32	0.43	0.54	0.65	0.76
R.P.M.	54.9	53	50.9	48.8	47	45	42.8
Torque (LB-IN)	0	13.75	27.5	41.25	55	68.75	82.5

Performance Graph at 90.0 Arm V, 0.05HP Typical performance - Not guaranteed values





23A277Z061G7



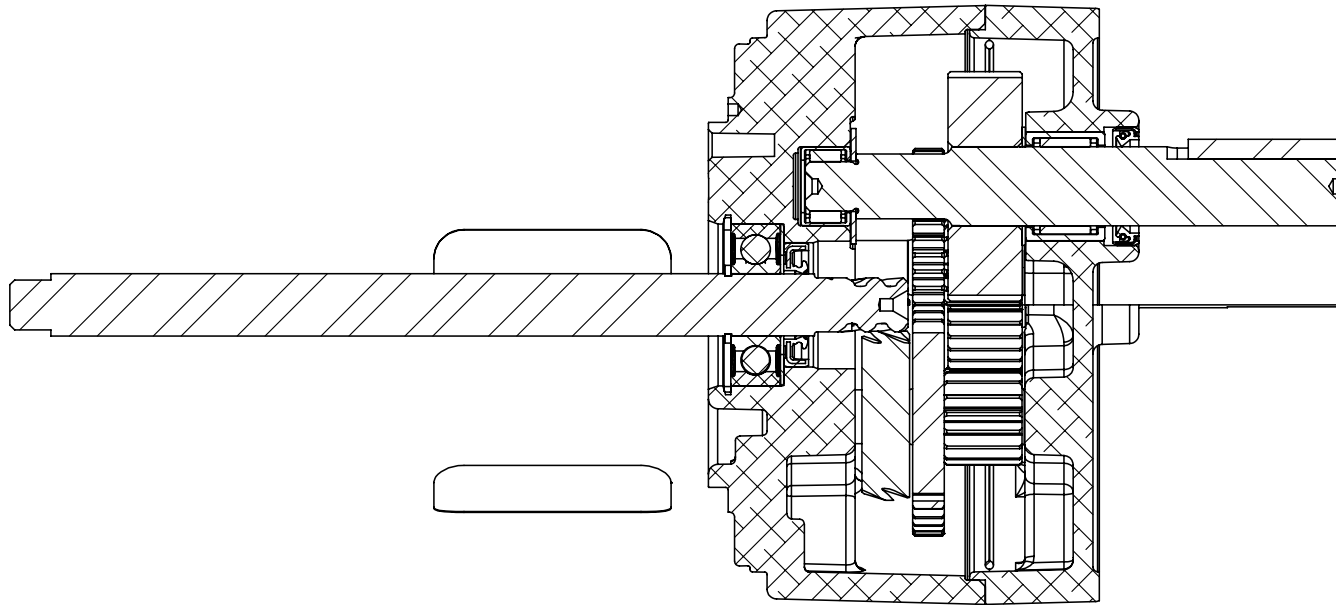
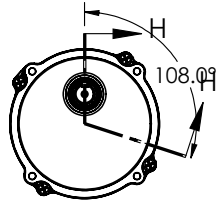
REV. DESC: NEW			
REV: -	VERSION: 00	REVISED: 11:57:20 02/24/2011	TDR: 00000538678
23A277Z061G7		MODEL NO. 23A277Z061G7	REF:
		BY: CKRONSO	

BALDOR ELECTRIC Co.

LY,23DC PSSH DOM TENV .50X1.56 EXT W/KEY AND FLAT

23A277Z061G7

23A277Z061G7



SECTION H-H

23A277Z061G7

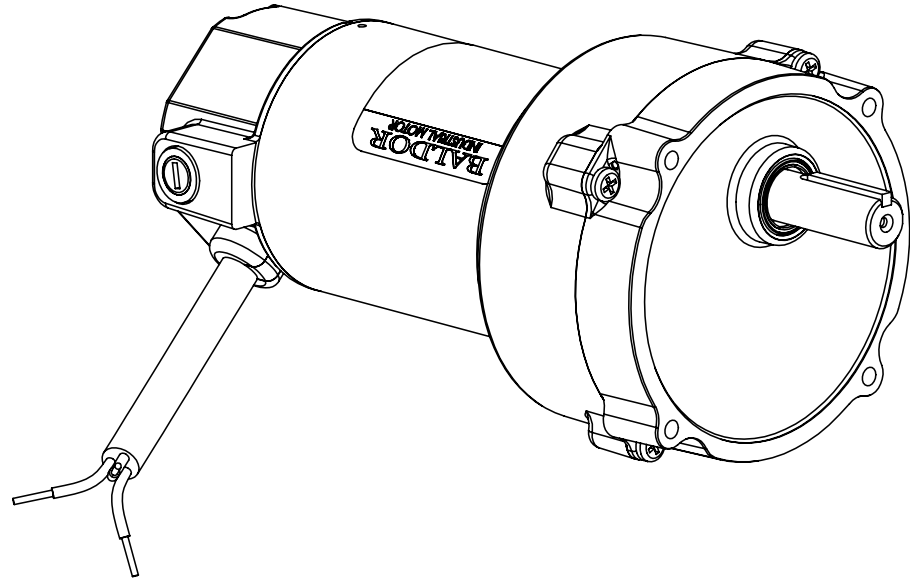
REV. DESC: NEW			
REV: -	VERSION: 00	REVISED: 11:57:20 02/24/2011	TDR: 000000538678
23A277Z061G7	MODEL NO. 23A277Z061G7		REF:
	BY: CKRONSO		

BALDOR ELECTRIC Co.

LY.23DC PSSH DOM TENV .50X1.56 EXT W/KEY AND FLAT

ITEM NO.	PART NUMBER	QTY.	
1	HG0045A10	1	
2	BMH1729	1	
3	BG6000C03	1	
4	HW5002A42	1	
5	HW3064E05	1	
6	BH1163A01	1	
7	HW4600D28-01	1	
8	23SH4001C01	1	
9	HW5060A23	1	
10	23AA2018	1	
	cm1052	1	
	NS4024A01	2	
	23AL2140-1 2.25 Stake Endturns	1	
11	BG6608E	1	
12	23SB3000C14	1	
	MR6001A06A06	1	
13	HW3022A04	1	
14	PM1036A03	2	
15	23EP3108A01	1	
16	HW5109A06	1	
17	BP4517	2	
18	80XN0632J03	2	
19	BP5060-02	1	
20	BP4515	2	
21	55XT0632G03	1	
22	WD4102A01	1	
23	3LEADCORD	1	
24	HA3170A10	2	
25	CG0001A01	1	
26	BH1163A02	1	
27	HW4600C29	1	
28	RM1020A21	1	
29	15XM0832A08	4	
30	BMH2764	1	
31	SG0047C21	1	
	GE0085B107	1	
	SH0105B10	1	
	BMH3270	1	
	BH1108A01	1	
32	SG0047C20	1	
	GE0085B108	1	
	GE0085B21	1	
	SKF - 626 - 8,DE,NC,8_68	2	
33	sg0047a63	1	
	SKF - 626 - 8,DE,NC,8_68	2	
	GE0085B08	1	
	GE0085B24	1	
REV. DESC: NEW	23DC LC0899A08	1	
REV: 34	VERSION: 00	REVISED: 11:57:20 02/24/2011	TDR: 000000538678
LD190Z77G7	MODEL NO. 23A277Z061G7	REF:	
	BY: CKRONSO		

23A277Z061G7

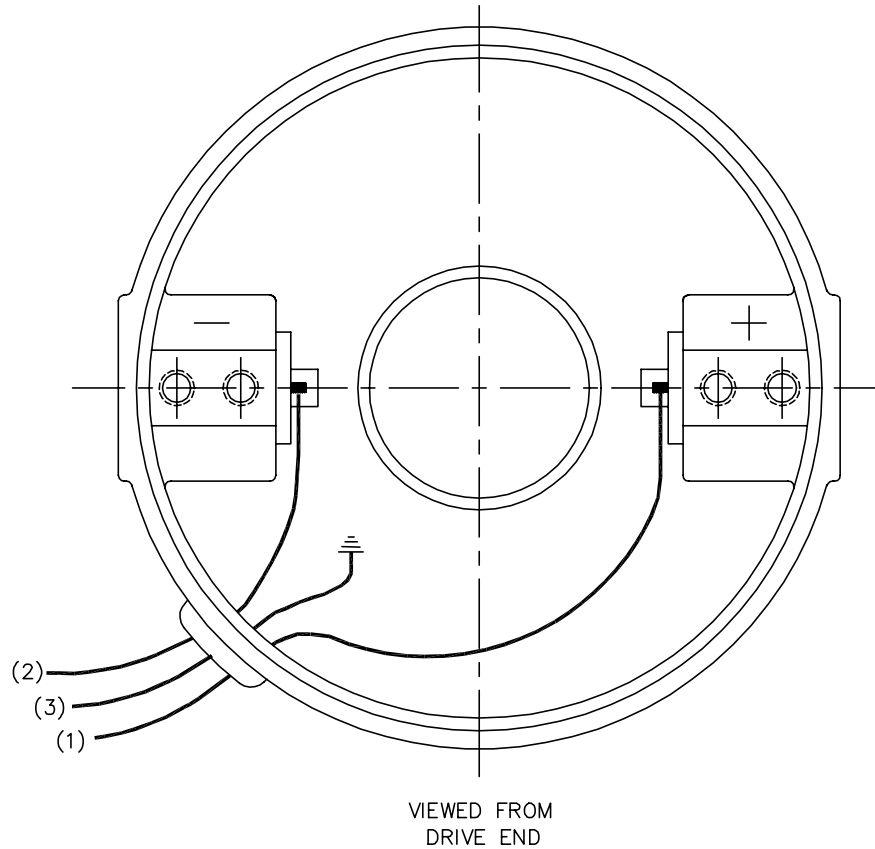


23A277Z061G7

BALDOR ELECTRIC Co.

LY,23DC PSSH DOM TENV .50X1.56 EXT W/KEY AND FLAT

CD1899



(1) COLOR MAY BE
RED
WHT
BLU

(2) COLOR MAY BE
BLK
BRN

(3) COLOR WHEN REQ.
GRN
GRN/YEL

VIEWED FROM
DRIVE END

REV. DESC: NEW			
REV. LTR: -	BY: PAW	REVISED: 09:06:34 09/16/2004	TDR: 341564
668100		FILE: CKA00025830	REF: CD1899
		MTL: -	

BALDOR ELECTRIC Co.

PM,2LD,REV,TANG,CK

CD1899