

Arc Flash Reduction Maintenance Mode available on K-Frame 310+ electronic trip unit



Introducing the 125/250/400A Series C® K-Frame equipped with 310+ electronic trip unit, featuring Arc Flash Reduction Maintenance Mode, zone selective interlocking and ground fault alarm (no trip). Breaker is NEMA®, UL®, CSA® and IEC listed.

Benefits of the K-Frame 310+ breaker

- No rating plugs needed. The 310+ has adjustable trip settings integral to the electronic trip unit
- Remote Arcflash Reduction Maintenance System™ is an available feature. This feature increases worker safety by providing an accelerated instantaneous trip to reduce arc flash potential
- Ground fault alarm, no trip, is an option. In addition to offering ground fault and high load alarms, the 310+ allows for ground fault alarm, no trip. This is essential for critical applications that must stay online when a ground fault is present
- Zone selective interlocking (ZSI) is available. This feature enables the breaker to communicate with the immediate upstream or downstream ZSI-enabled breakers to clear faults in the shortest amount of time using the breaker closest to the fault
- Available for aftermarket replacement of K-Frame 310 trip units when zone selective interlocking, cause of trip, ground fault alarm only or Arcflash Reduction Maintenance System is needed
- Breakers and/or frame and electronic trip unit configurations available

A full range of world-class accessories

- No changes from current offering:
 - Internal and external accessories
 - Allowable accessory combination
- In addition to integrated cause of trip, the KES 310+ built-in test port allows compatibility with Eaton's ammeter/cause of trip display, panelmount ammeter/cause of trip display and cause of trip LED module

Zone selective interlocking

Zone selective interlocking uses a communication scheme to connect line and load breaker trip units together. When a fault occurs, the trip units communicate to determine which load-side breaker is closest to the fault. The trip unit in the breaker closest to the fault overrides any customer-defined delay and opens instantaneously, clearing the fault and allowing line-side breakers to remain closed.

Arcflash Reduction Maintenance System

This system uses a separate analog trip circuit that provides faster interruption times than the standard digital instantaneous protection. Work locations downstream of a circuit breaker with an Arcflash Reduction Maintenance System unit will have a significantly lower incident energy level. Remote Maintenance Mode is fixed at 2.5X for K-Frame circuit breakers.



Powering Business Worldwide

Breaker features

- UL 489, CSA, IEC
- Shunt trip
- Auxiliary switch
- Undervoltage release
- Handle mechanism
- Plug-in adapters
- Handle blocks

Trip unit features

- No rating plug required
- Available with LS, LSI, LSG, LSIG and Arcflash Reduction Maintenance System via ALSI, ALSIG
- Zone selective interlocking
- Time current curves referenced in document AD29167K
- Adjustable long-time delay
- Adjustable short-time delay
- Adjustable instantaneous
- Status indicator and no trip test indicator LEDs
- Push-to-trip button

Technical specifications

Cause of Trip Indication

Description	Catalog Number
Digiview ammeter with cause of trip indication	DIGIVIEW
Panelmount Digiview with 6-foot wire harness	DIGIVIEWR06
LED cause of trip indication	TRIP-LED

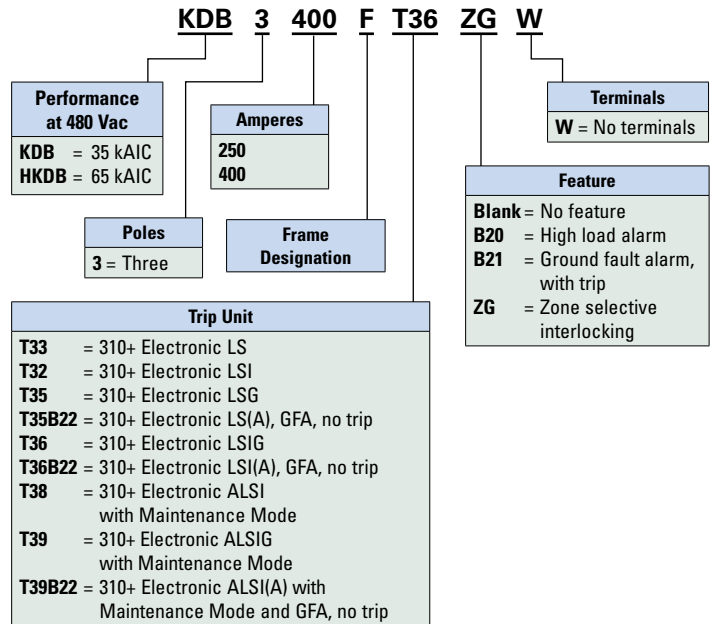
KD, HKD and KDC with 310+ Rating and Ampere Range

Specification	Breaker/Frame Type		
	KD/CKD	HKD/CHKD	KDC
Short-circuit current ratings (kA rms) 50–60 Hz	35	65	100
NEMA UL 489	480 Vac	480 Vac	480 Vac
Number of poles	3, 4 ❶	3, 4 ❶	3, 4 ❶
I_r = continuous current or long delay pickup	125A	A = 55, B = 60, C = 70, D = 80, E = 90, F = 100, G = 110, H = 125	
	250A	A = 100, B = 125, C = 150, D = 160, E = 175, F = 200, G = 225, H = 250	
	400A	A = 160, B = 200, C = 225, D = 250, E = 300, F = 315, G = 350, H = 400	
Electronic rms	LS, LSI, LSG, LSIG, ALSI, ALSIG		
Dimensions in inches (mm) H x W x D	10.13 x 5.50 x 4.10 (257.3 x 149.7 x 104.1)		
Approximate weight in lbs (kg)	11.5 (5.2)	11.5 (5.2)	11.5 (5.2)

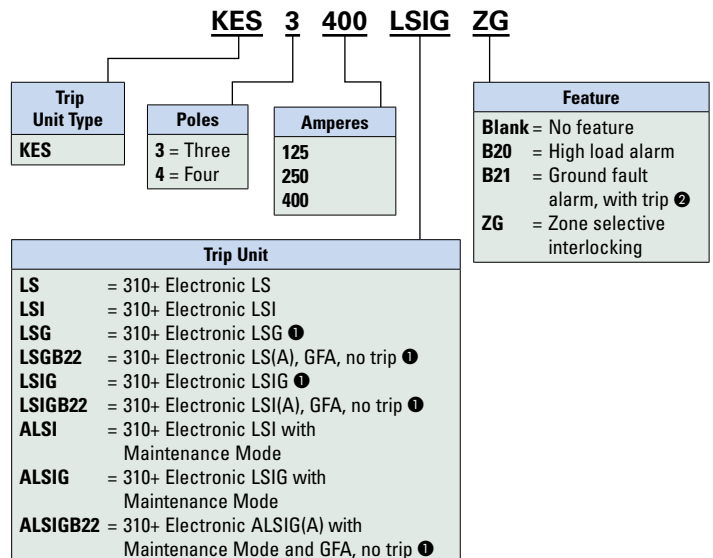
❶ Frames and trip units are sold separately on four-pole configurations.

Catalog numbering systems

250/400A K-Frame Assembly



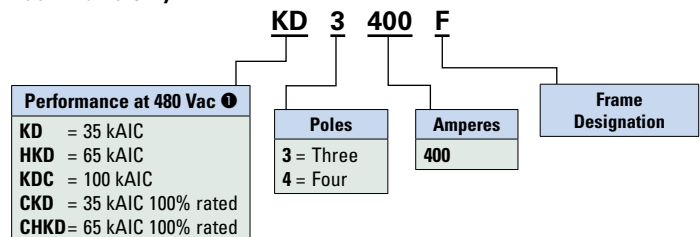
250/400A K-Frame Electronic Trip Unit



❶ LSG, LSIG, LSGB22, ALSIG, ALSIGB22 and LSIGB22 are not available in four-pole configuration.

❷ B21 feature not available in four-pole configuration.

400A Frame Only



❶ 100% rating not available in four-pole configuration.

Eaton
1000 Eaton Boulevard
Cleveland, OH 44122
United States
Eaton.com

© 2013 Eaton
All Rights Reserved
Printed in USA
Publication No. PA012003EN / Z14542
December 2013