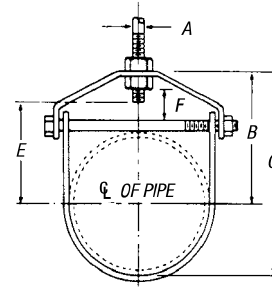
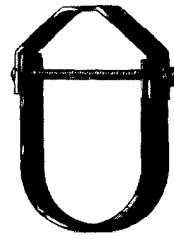


Pipe Straps, Conduit Clamps and Hangers

ETL-710 — Light-Duty Clevis Hanger



CAT. NO.	TUBING SIZE (IN.)	MATERIAL SIZE	DIMENSIONS (IN.)					STD. CTN.
			A	B	C	E	F	
ETL710 1/2	1/2	16 ga x 7/8	3/8	1 13/16	2 3/16	1 1/4	3/16	100
ETL-710-3/4	3/4	16 ga x 7/8	3/8	1 3/4	2 1/4	1 1/4	3/16	100
ETL-710-1	1	16 ga x 7/8	3/8	1 5/8	2 5/16	1 1/8	1/2	100
ETL-710-1-1/4	1 1/4	16 ga x 7/8	3/8	2	2 3/4	1 1/8	1 1/16	100
ETL-710-1-1/2	1 1/2	16 ga x 7/8	3/8	2 1/8	3 1/8	1 1/4	1	100
ETL-710-2	2	13 ga x 7/8	3/8	2 1 1/16	4	1 1/2	1 1/16	100
ETL-710-2-1/2	2 1/2	1/8 x 1 1/4	1/2	3 1/4	4 1 1/16	2	1 1/8	100
ETL-710-3	3	1/8 x 1 1/4	1/2	3 1/2	5 1/16	2 1/4	1 3/16	100
ETL-710-3-1/2	3 1/2	1/8 x 1 1/4	1/2	3 3/4	5 1 1/16	2 1/2	1 1/8	100
ETL-710-4	4	1/8 x 1 1/4	1/2	4 5/16	6 1/2	3	1 3/16	100
ETL-710-5	5	3/16 x 1 1/4	5/8	5	7 1 1/16	3 3/8	1 3/16	50
ETL-710-6	6	3/16 x 1 1/4	5/8	5 1 1/16	8 3/8	4 1/8	1 1/4	50

Standard Finish — GoldGalv®.

Carbon Steel.

Copper tube sized.

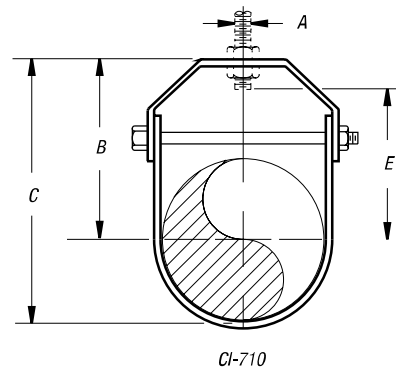
For the suspension of stationary copper tubing lines. Order by Cat. No., tubing size.

CI-710 — Clevis Hanger for Ductile Iron and A.W.W.A. Cast Iron Pipe

Designed to support non-insulated, stationary ductile iron and A.W.W.A. cast iron lines from above, allowing for approximately 1" to 1 1/2" of vertical adjustment after the pipe is in place. The lower nut (not furnished) adjusts the pipe line to the proper elevation. The top nut (not furnished) prevents loosening due to vibration and must be tightened securely to assure proper hanger performance.

Specifications

- Material: Carbon Steel
- Compliance: MSS-SP-69 Type 1, A-A-1192A Type 1
- Finish: Standard Finish — GoldGalv®, Black (add suffix "-B"), Electro-Galvanized (add suffix "-EG")
- Ordering: Specify pipe size, catalog number and finish



CAT. NO.	PIPE SIZE (IN.)	MAX. LOAD (LBS.)	DIMENSIONS (IN.)			ROD TAKE OUT E (IN.)	WT. EACH (LBS.)
			A	B	C		
CI-710-4	4	1,430	3/4	5 3/4	8 3/8	4 3/8	2.08
CI-710-6	6	1,940	7/8	7	10 3/8	5 1/2	2.78
CI-710-8	8	2,000	7/8	9 1/4	13 3/4	7 3/4	4.47
CI-710-10	10	3,600	7/8	10 3/4	15 3/4	8 3/8	8.87
CI-710-12	12	3,800	7/8	12 3/8	19 1/4	11	12.0
CI-710-14	14	4,200	1	14 3/8	21 3/4	12 1/4	15.2
CI-710-16	16	4,800	1	14 3/8	23 3/8	13	23.6
CI-710-18	18	4,800	1 1/4	16 1/2	26 1/4	14 1/2	25.9
CI-710-20	20	4,800	1 1/4	18 3/4	29 1/2	16 1/2	44.3
CI-710-24	24	4,800	1 1/4	21 1/8	34 3/4	19 1/2	53.5

Standard Finish — GoldGalv®, unless otherwise stated.