

Single Pole Devices and Temporary Power

150A, 600V AC/250V DC

Male Plugs

HUBBELL



Features

- Insulgrip® Style Housing for Superior Gripping
- Non-Conductive Retaining Screw locks contacts in place
- Large Raised Alignment Arrow aids in the mating of devices



Ordering Information

| Description | Device Color | UPC | Catalog Number |
|-------------------------------------------------------|--------------|--------------|----------------|
| 150A, thermoplastic elastomer, cable size #8 - #2 AWG | Black | 783585458328 | HBL15MBK |

Standards

UL and cUL Listed
UL Enclosure Types 3R, 4X, 12
National Electric Code (NEC), ANSI/NFPA 70

Specifications

| | |
|--------------------------|-------------------------------|
| Base Compound | Thermoplastic Elastomer (TPE) |
| Contact Material | Brass |
| Retaining Screw Material | Nylon |

Performance

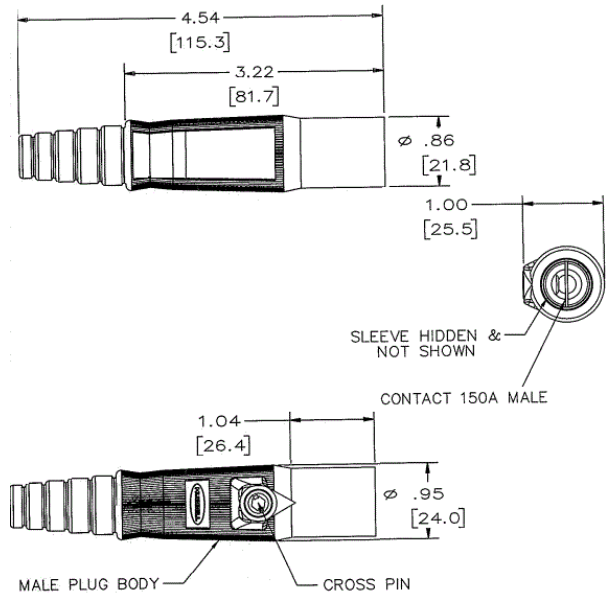
| | |
|-------------------|----------------------------------|
| Electrical | |
| Amperage Rating | 150A Maximum |
| Voltage Ratings | 600V AC Maximum; 250V DC Maximum |

Mechanical

| | |
|------------------------|----------------------------------------|
| Product Identification | Ratings are a permanent part of device |
| Terminal Accommodation | #8 to #2 AWG |

Online Resources

Customer Use Drawing
eCatalog
Installation Instructions



Dimensions in Inches (mm)

Hubbell Wiring Device-Kellems • Hubbell Incorporated (Delaware) • 40 Waterview Drive • Shelton, CT 06484

Phone (800) 288-6000 • Fax (800) 255-1031 • Specifications subject to change without notice.

