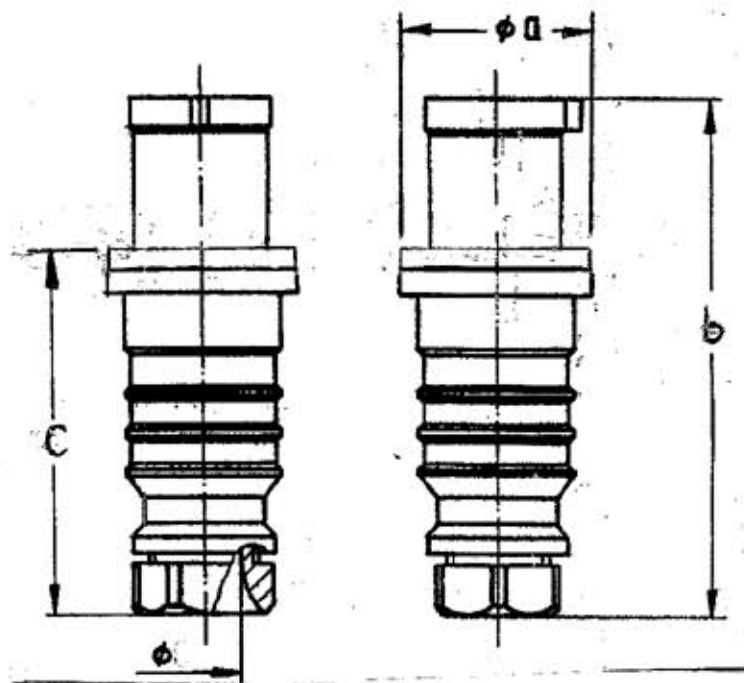
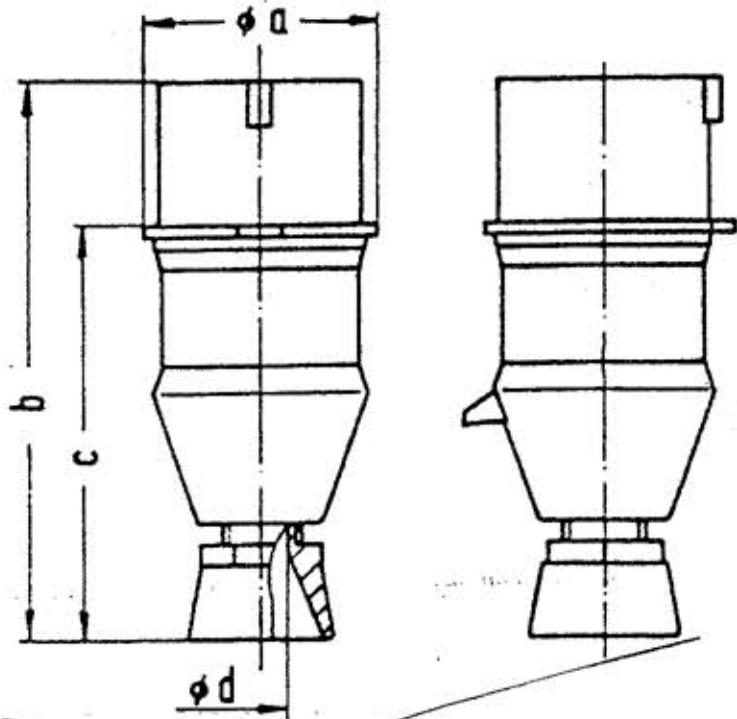


4

3

2

1



KEY	16/20 AMPERE						30/32 AMPERE						60/63 AMPERE					
	3 WIRE		4 WIRE		5 WIRE		3 WIRE		4 WIRE		5 WIRE		3 WIRE		4 WIRE		5 WIRE	
	MM	INCHES	MM	INCHES	MM	INCHES	MM	INCHES	MM	INCHES	MM	INCHES	MM	INCHES	MM	INCHES	MM	INCHES
a ϕ	51	1.99	58	2.28	64	2.50	66	2.57	66	2.57	73	2.85					96.7	3.81
b	138	5.38	138	5.38	143	5.58	175	6.83	175	6.83	176	6.86					249.2	9.81
c	102	3.98	102	3.98	107	4.17	130	5.07	130	5.07	131	5.11					171.5	6.75
d ϕ	17	.66	17	.66	17	.66	24.5	.96	24.5	.96	24.5	.96					36.6	1.44

DIMENSIONS IN INCHES & MM
 ϕ = DIAMETER

16/20A & 30/32A

60/63A

SERIES I CATALOGS
 SPLASHPROOF PLUGS

SERIES II CATALOGS
 SPLASHPROOF PLUGS

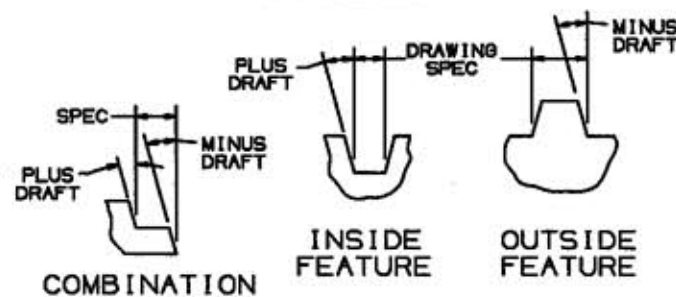
16A	32A	16A or 20A	30A or 32A
C316P4S	C332P4S	C320P6SVL	C332P6SVLM2
		C316P6SVLM2	
C316P6S	C332P6S		
C416P6S			
C516P6S	C532P6S		

20A	30A	60A
C520P6S	C530P6S	C560P6S

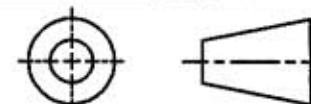
SUB	REVISIONS
1	5-1-96 "X" REMOVED LAST "X" REV WAS "X-0" PER DCN 4139-2
2	ADD CAT. C532P6S DCN 4033-3 BK 9/5/96 CHIP P. CP
3	ADD CAT. C320P6SVL DCN 8666 3/23/98 BK/JD
4	7/9/01 REMOVED ϕ FROM c PER DCN 8680 RCM DVB
5	9/9/03 ADDED "30A OR 32A" COLUMN; ADDED "C316P6SVLM2" TO "16A OR 20A" COLUMN PER DCN 11099 RCM JVD
6	ADDED SERIES II CATALOGS & 63 AMPERE DIMENSIONS "72.5" PER DCN. 13739 TJV 2-21-07

DRAFT SPECIFICATIONS

DRAFT - X° MAX DRAFT UNLESS OTHERWISE SPECIFIED, INTERPRETED AS FOLLOWS:



"IN ACCEPTING OUR DRAWINGS OR BLUEPRINTS FOR QUOTATION OR OTHER PURPOSES, YOU AGREE NOT TO DISCLOSE TO OTHERS THE IDEAS, INFORMATION OR DESIGNS THEREIN SHOWN, AND THAT YOU WILL MAKE NO USE OF OUR DRAWINGS OR BLUEPRINTS OR OF THE IDEAS, INFORMATION OR DESIGNS THEREIN SHOWN WITHOUT OUR PERMISSION."



ISO STANDARD FOR 3rd ANGLE PROJECTION

DO NOT SCALE DRAWING USE DIMENSIONS ONLY

TITLE
 PIN & SLEEVE
 SPLASHPROOF PLUGS

TOLERANCES UNLESS OTHERWISE SPECIFIED .XX = ±.01 .XXX = ±.005 .XXXX = ±.0025 ANGLE TOL. ± 1°	WIRING DEVICE DIVISION HUBBELL INCORPORATED BRIDGEPORT, CT. DR. BY <i>S.K.</i> APP. BY JVD TR. BY SCALE NONE CHK. BY CHIP P. DATE 3/12/96
--	--

DR. NO. M-7451