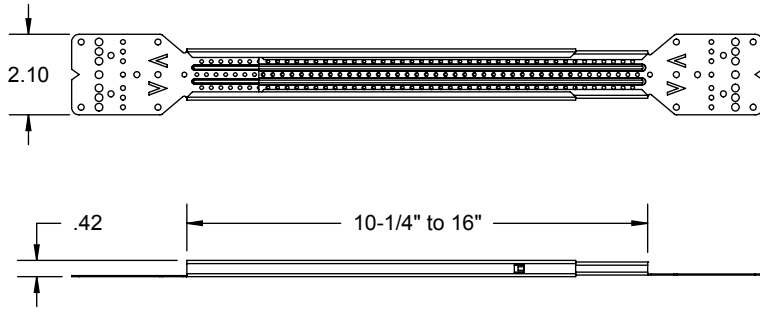


PRODUCT SPECIFICATION DRAWING

HOLDRITE Stout Bracket® #SB3 & #SB4

Telescoping Support System

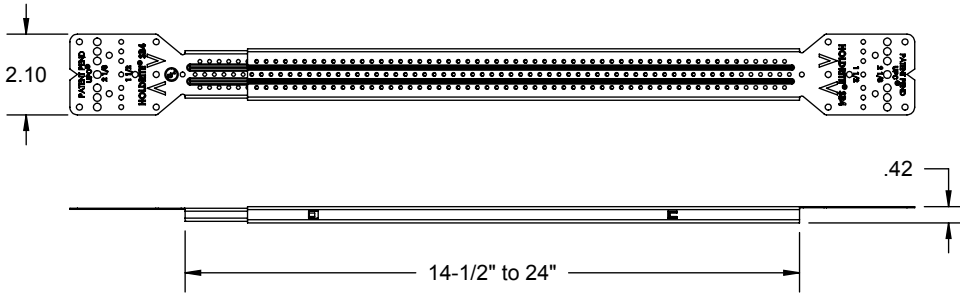


SCALE: 1 / 5

#SB3

Beam Span	Maximum Load (lbs.)
Inches	Center Pt. Load
10-1/4"	863 lbs
14-1/2"	480 lbs
16"	322 lbs

ALL DIMENSIONS IN INCHES



#SB4

Beam Span	Maximum Load (lbs.)
Inches	Center Pt. Load
16"	550 lbs
22-1/2"	271 lbs
24"	228 lbs

Hole pattern permits attachment of a wide variety of Clamps, Fittings, J-Boxes, Outlet Boxes, etc. The wide face provides excellent stability and is also ideal for attachment of both 2-eared and 3-eared shower head and tub spout 90°. Bracket attaches between studs in span from 10-1/4" through 25-1/2" (depending on model #). End tabs bend easily at 3/4", 1-1/2" & 2-1/4" for in-wall set backs. Optional nailer tabs can be used for quick attachment to wood studs for positioning purposes.

Product Information:

- Material: 24 gage CRS, galvanized per ASTM-A653, G90
- UPC / IPC / IAPMO listed
- UL listing



THIS INFORMATION IS PROPRIETARY TO HOLDRITE AND IS SUBJECT TO CHANGE WITHOUT NOTICE. IT MAY NOT BE REPRODUCED IN PART OR WHOLE WITHOUT WRITTEN AUTHORIZATION.

HOLDRITE®

CONVERTING MAKESHIFT METHODS INTO ENGINEERED SOLUTIONSSM

800-321-0316 OR 760-744-6944 / FAX: 760-744-0507 / WWW.HOLDRITE.COM
spec_SB3_SB4_RevE

Product Submittal	
Job Name:	
Date:	
Part Number:	Qty:
Architect / Owner:	
Contractor:	
Notes:	