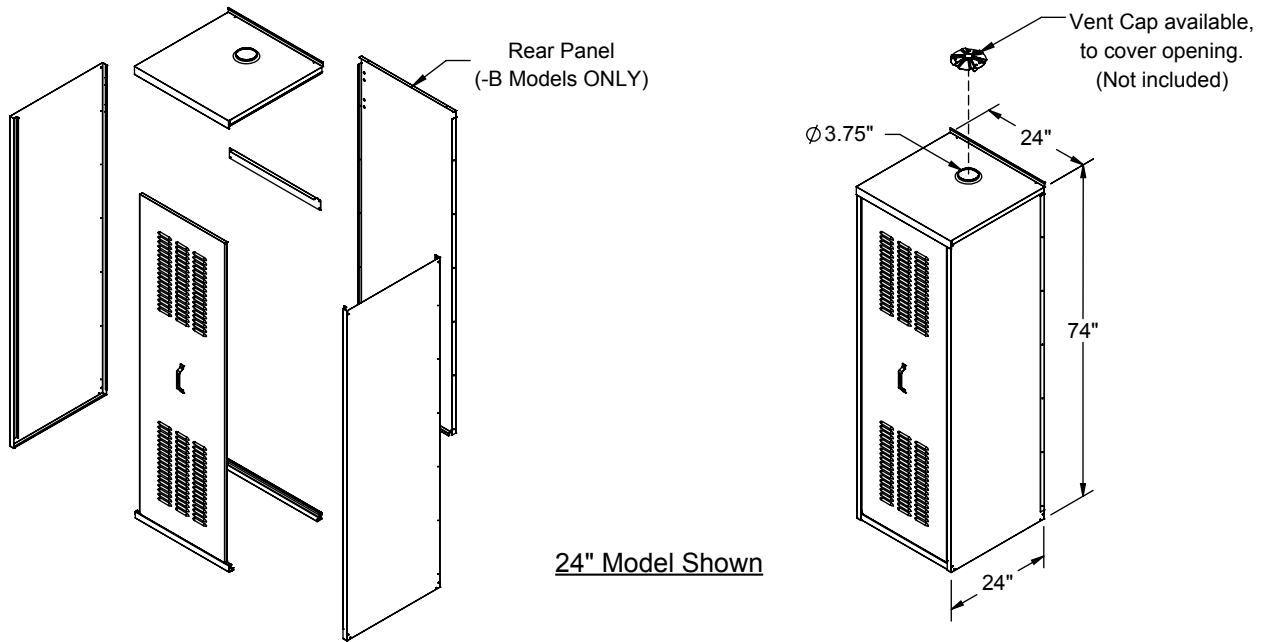


PRODUCT SPECIFICATION DRAWING
QUICK SHED #E24/E24-B, #E26/E26-B & #E30/E30-B
Water Heater Enclosures for 24", 26" & 30"
(-B indicates Models that include Back Panel)



The **HOLDRITE® QUICK SHED™** Water Heater Enclosures are constructed of galvanized steel and provide protection for water heaters installed in outdoor locations. Anchor points at the rear of the enclosure allows for optional attachment to the adjacent building structure. Rear panel (-B version ONLY) provides a four-sided enclosure.

Product Information:

- **Material:**
 Top, Door, Left & Right Side and Rear Panel (Opt): .018" - .021" Thick, Galvanized CRS
 Back Brace & Beam: .023" - .026" Thick, Galvanized CRS
 Handle: 16GA, Galvanized CRS
- **Weight (without Packaging & Water Heater):**
 - Model #QS-E24 = 39 LBS / E24-B = 50 LBS
 - Model #QS-E26 = 42 LBS / E26-B = 54 LBS
 - Model #QS-E30 = 49 LBS / E30-B = 63 LBS
- **Outside dimensions:**
 - Model #QS-E24 = 24" x 24" x 74"
 - Model #QS-E26 = 26" x 26" x 74"
 - Model #QS-E30 = 30" x 30" x 74"
- **Water Heater Dimensions:**
 - QS-E24: Up to 40 gallons or 22" diameter by 68" high
 - QS-E26: Up to 40 gallons or 24" diameter by 68" high
 - QS-E30: Up to 80 gallons or 27" diameter by 68" high

THIS INFORMATION IS PROPRIETARY TO HOLDRITE AND IS SUBJECT TO CHANGE WITHOUT NOTICE. IT MAY NOT BE REPRODUCED IN PART OR WHOLE WITHOUT WRITTEN AUTHORIZATION.



Product Submittal	
Job Name:	
Date:	
Part Number:	Qty:
Architect / Owner:	
Contractor:	
Notes:	