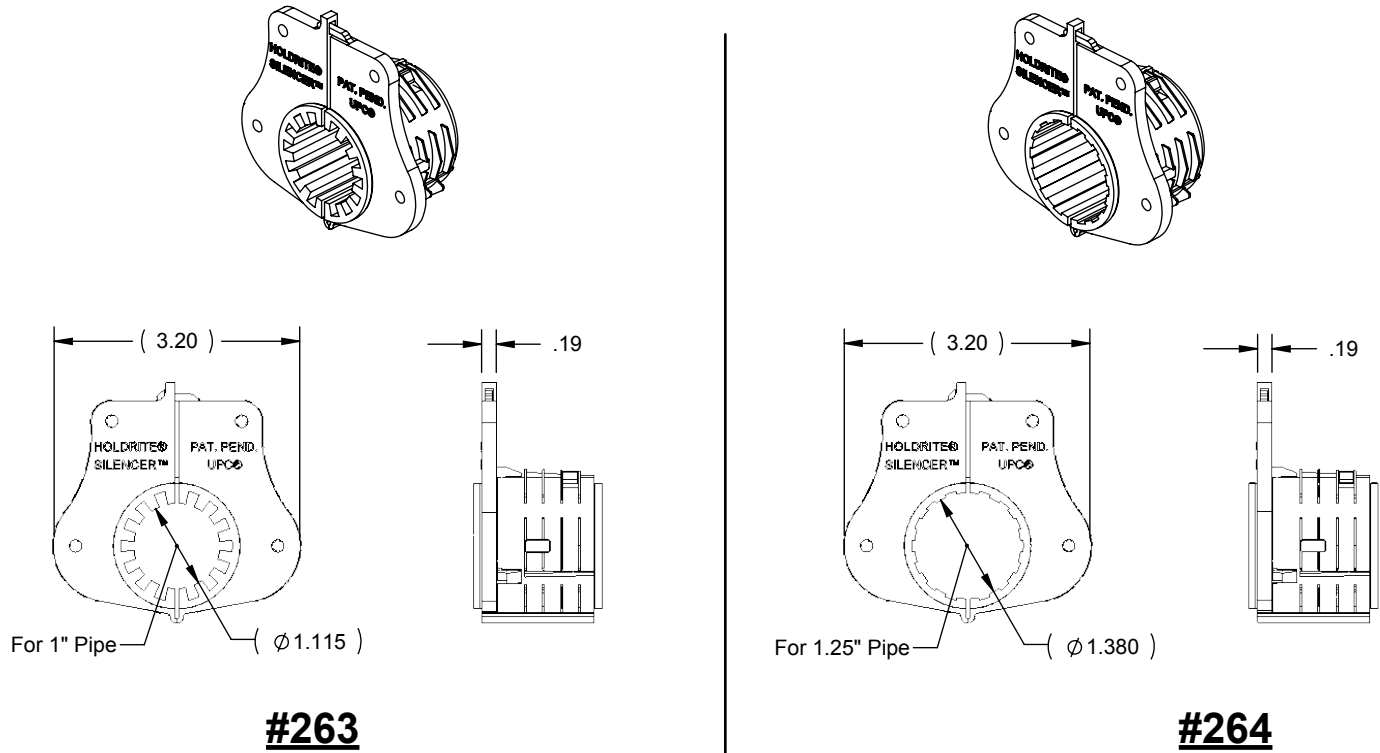


PRODUCT SPECIFICATION DRAWING

HOLDRITE® Silencer™ Through-Stud / Suspension Clamp #263 & #264



ALL DIMENSIONS IN INCHES

Model #'s 263 and 264 can be used as a suspension hanger, e.g. from a joist or cross-member or a HOLDRITE® Strout Bracket™, or as a through-hole isolator in wood or metal framing. As a through-hole isolator, mounts in 2" hole in wood or sheet metal up to 14 gage. Secures and retains tubing while providing superior acoustical isolation between the tubing and the supporting structure. Supports 1" and 1-1/4" CTS tube sizes. Supports Copper, PEX and CPVC tubing.

Product Information:

- Material:
Shell: Polypropylene, blue, FR UL94V-2
Isolators: TPE, natural (off-white), 45 shore A
- Temperature range: -10°F to 140°F (suspension)
-10°F to 180°F (through-stud)
- Load rating: 50 pounds in suspension mode
- UPC / IPC listed
- IAPMO listed, per standard PS42-96
- Patent Pending



THIS INFORMATION IS PROPRIETARY TO HOLDRITE AND IS SUBJECT TO CHANGE WITHOUT NOTICE. IT MAY NOT BE REPRODUCED IN PART OR WHOLE WITHOUT WRITTEN AUTHORIZATION.

HOLDRITE®

CONVERTING MAKESHIFT METHODS INTO ENGINEERED SOLUTIONS®
800-321-0316 OR 760-744-6944 / FAX: 760-744-0507 / WWW.HOLDRITE.COM
spec_263_264_RevK

Product Submittal	
Job Name:	
Date:	
Part Number:	Qty:
Architect / Owner:	
Contractor:	
Notes:	