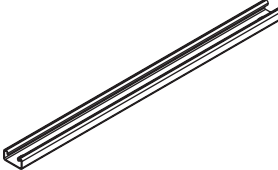
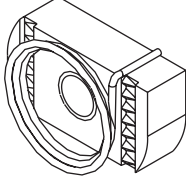


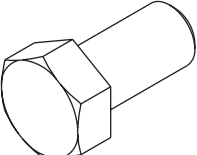
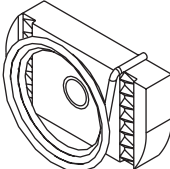

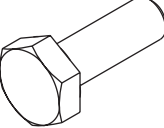
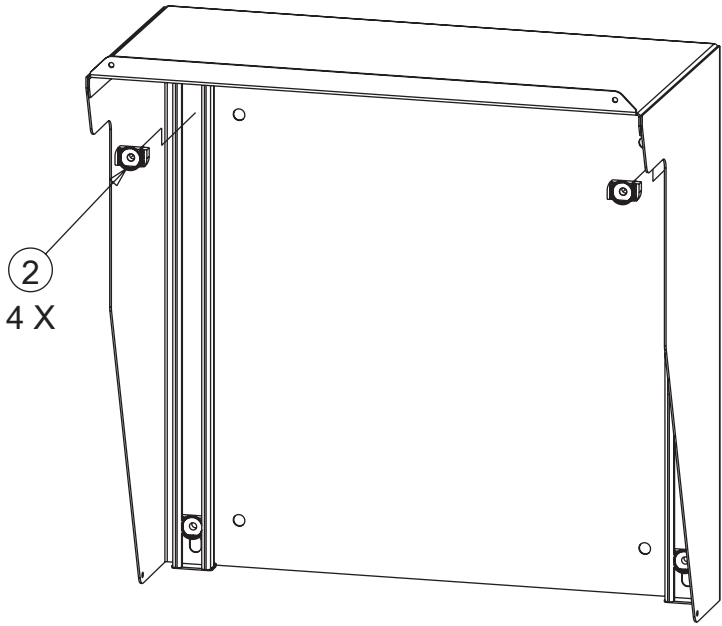
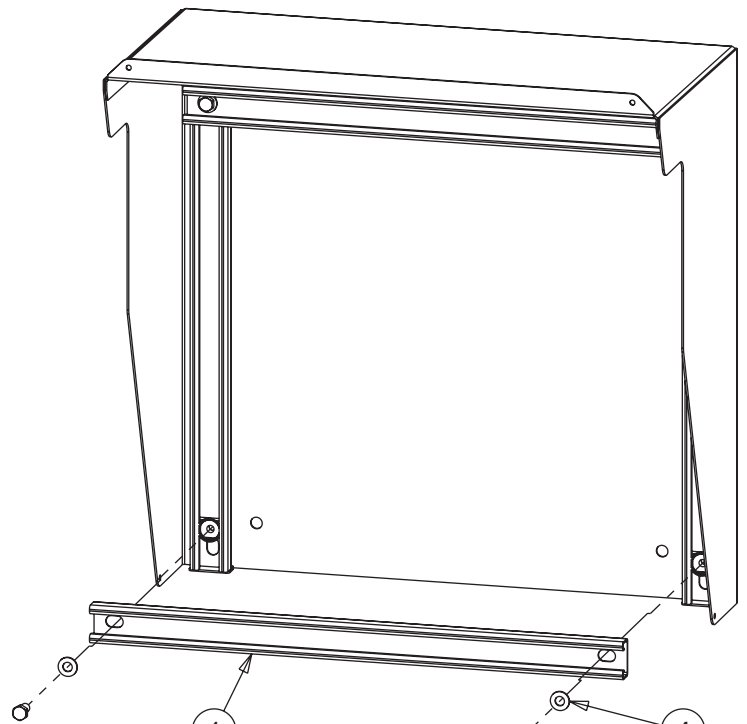


<p>1</p>  <p>(2x)</p>	<p>2</p> <p>3/8-16</p>  <p>(8x)</p>	<p>3</p> <p>3/8</p>  <p>(4x)</p>
<p>4</p> <p>3/8</p>  <p>(4x)</p>	<p>5</p> <p>3/8-16</p>  <p>(8x)</p>	<p>6</p> <p>1/4-20</p>  <p>(4x)</p>
<p>7</p> <p>1/4</p>  <p>(4x)</p>	<p>8</p> <p>1/4-20</p>  <p>(4x)</p>	



2
4 X

1

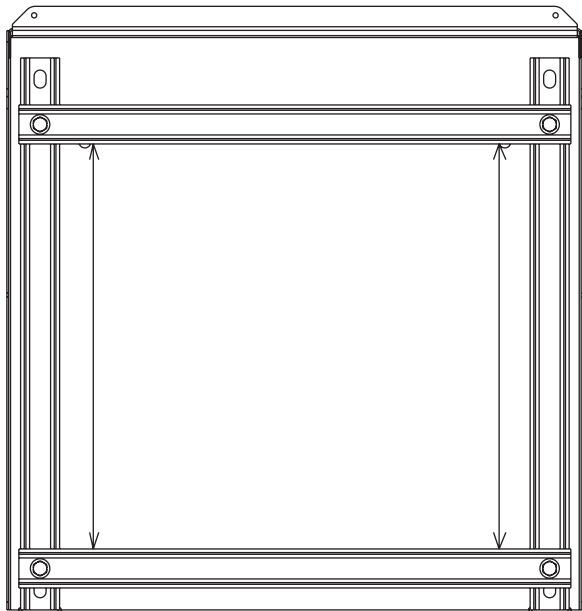


1
2 X

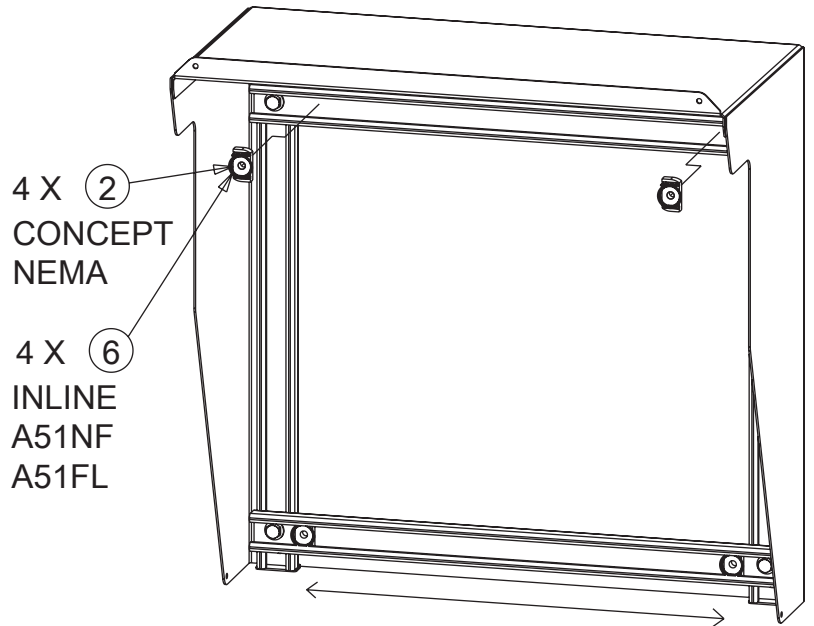
5
4 X

4
4 X

2



3

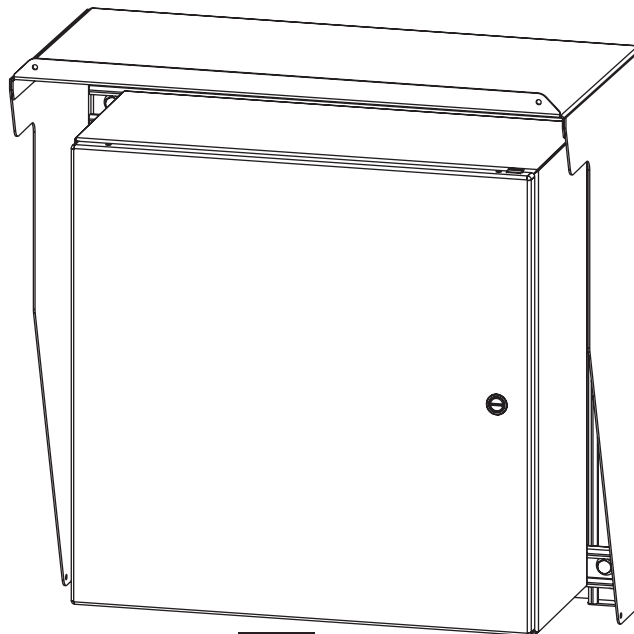
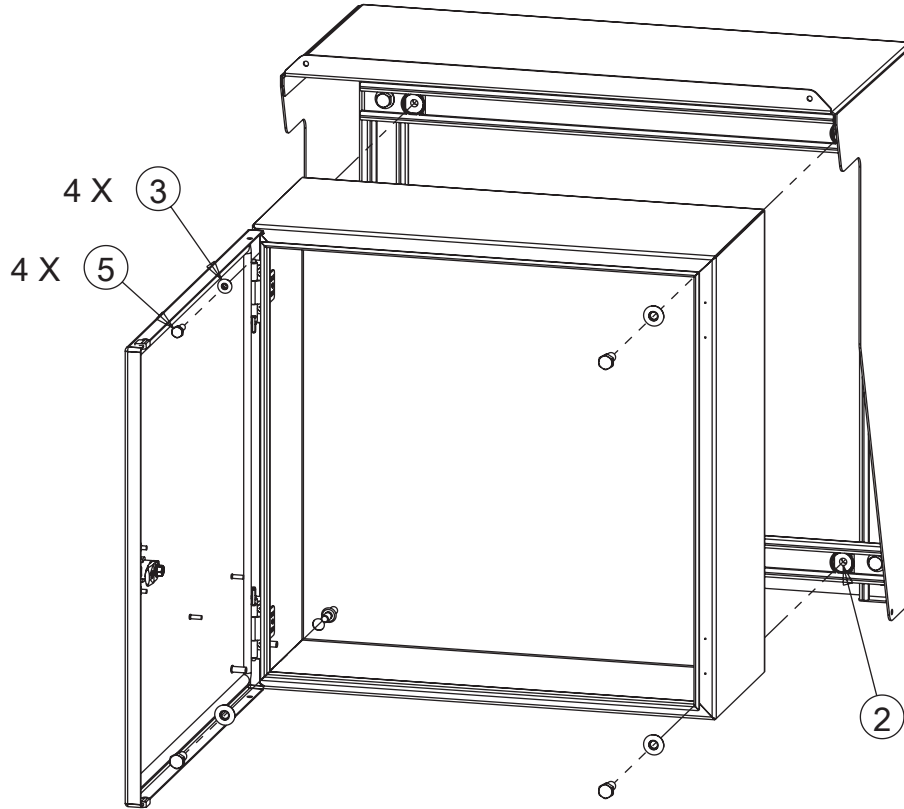


4 X 2
CONCEPT
NEMA

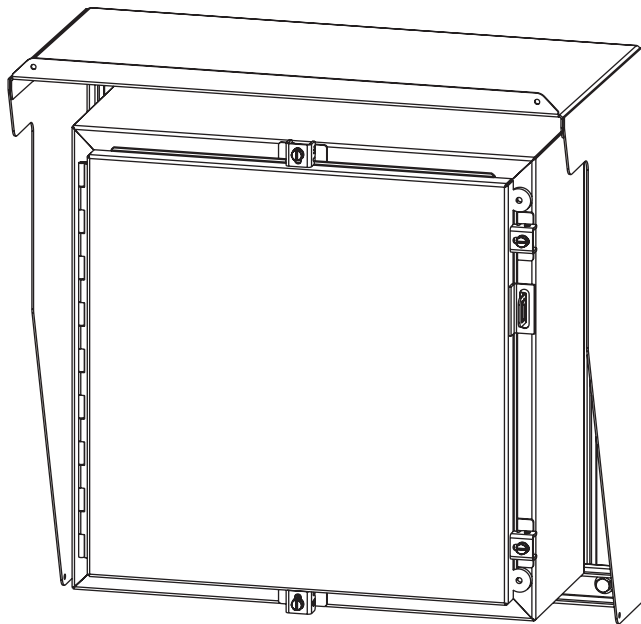
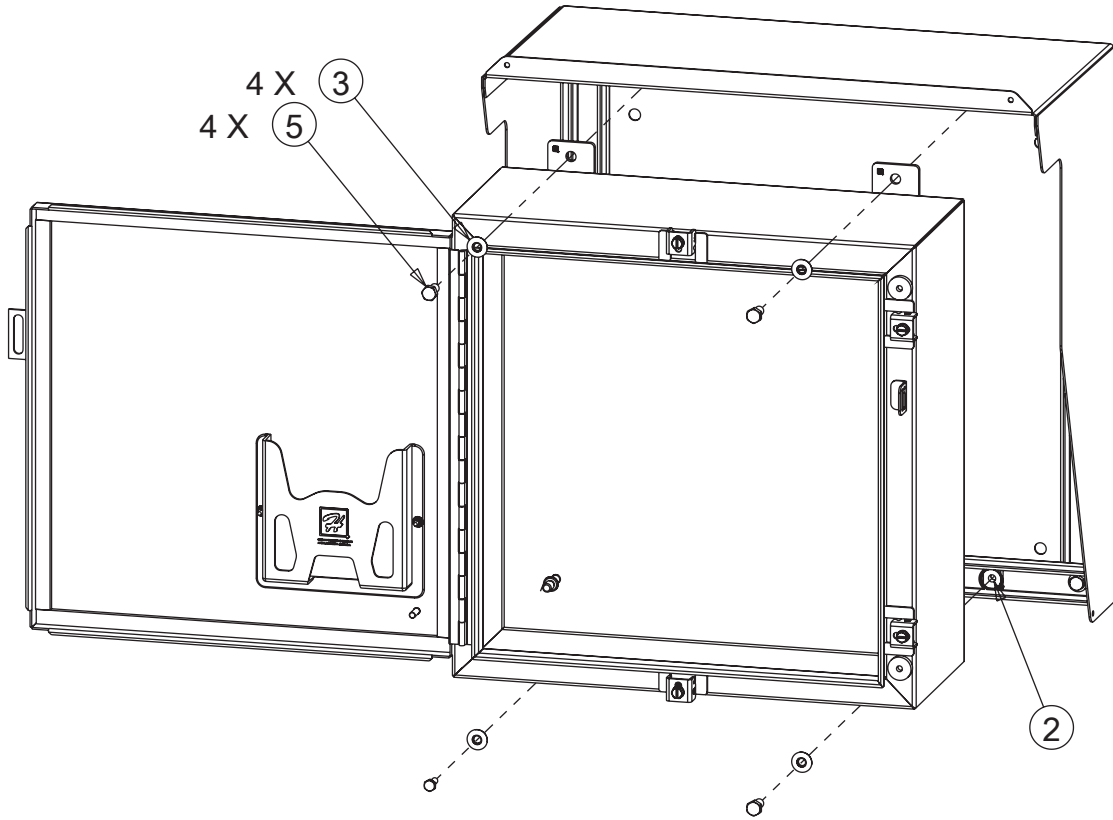
4 X 6
INLINE
A51NF
A51FL

4

CONCEPT (BULLETINS CW1, CWS)

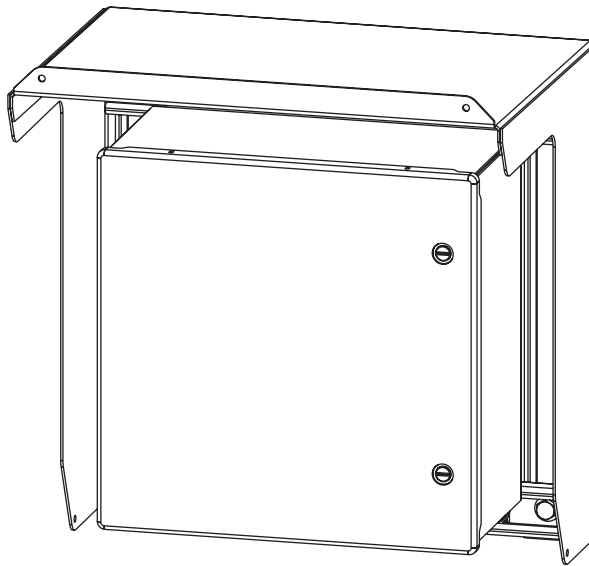
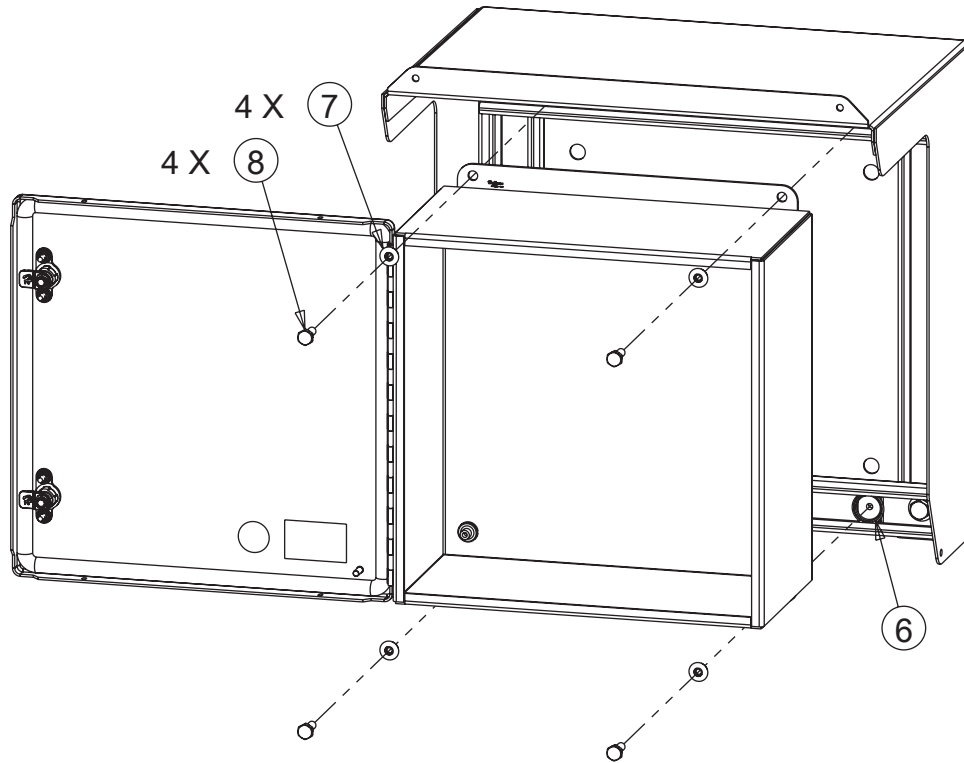


NEMA (BULLETIN A4)



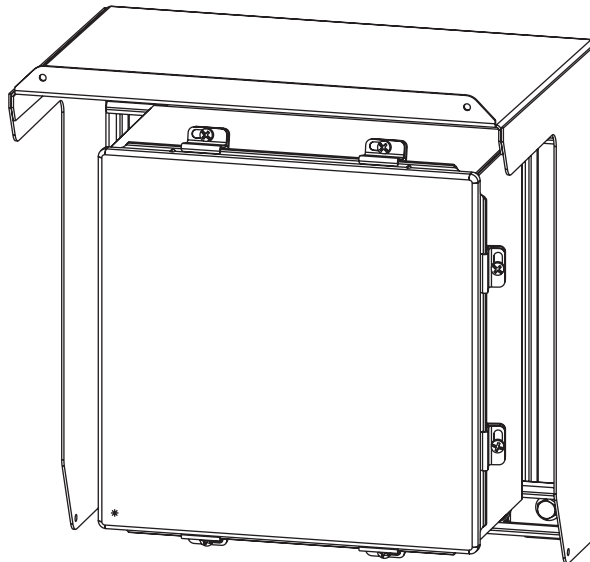
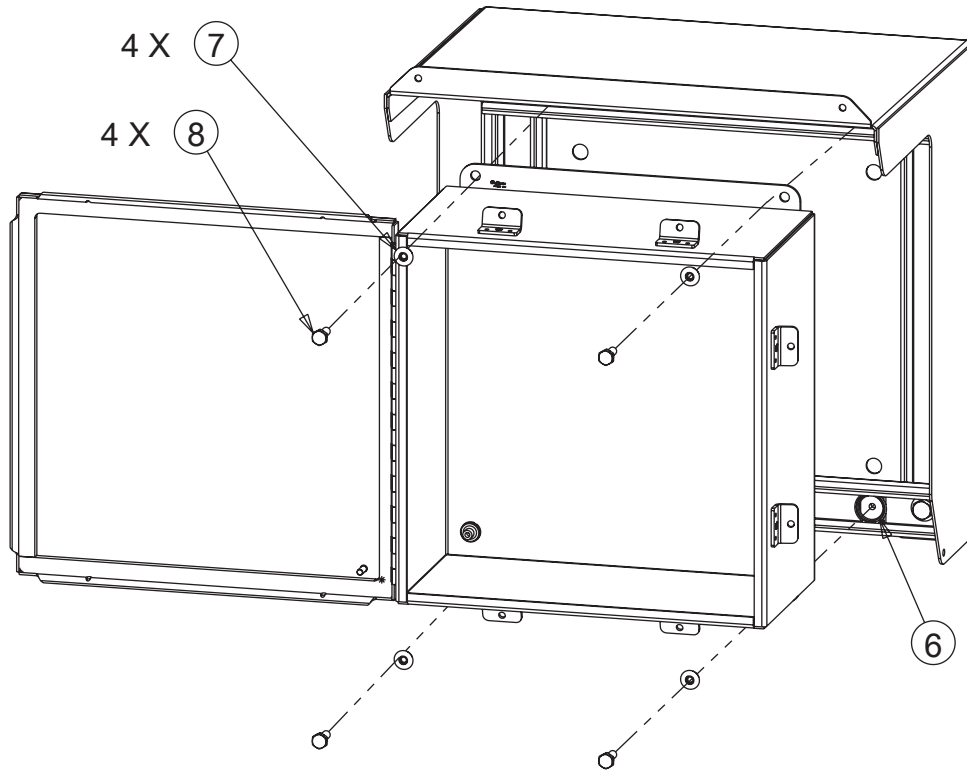
5

BULLETIN A51FL



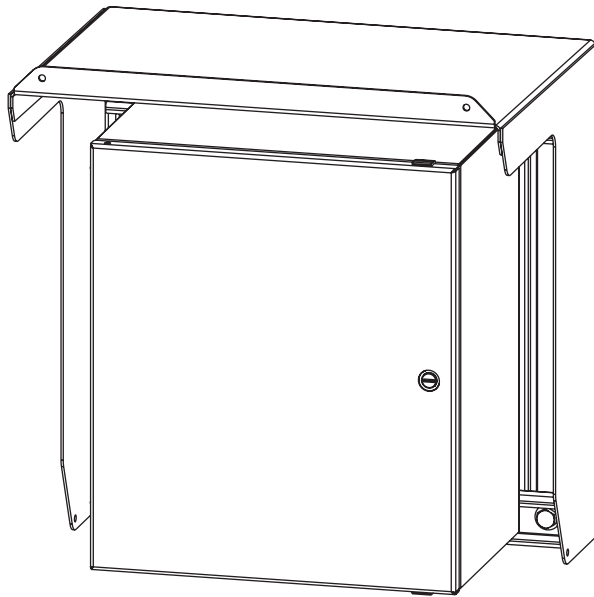
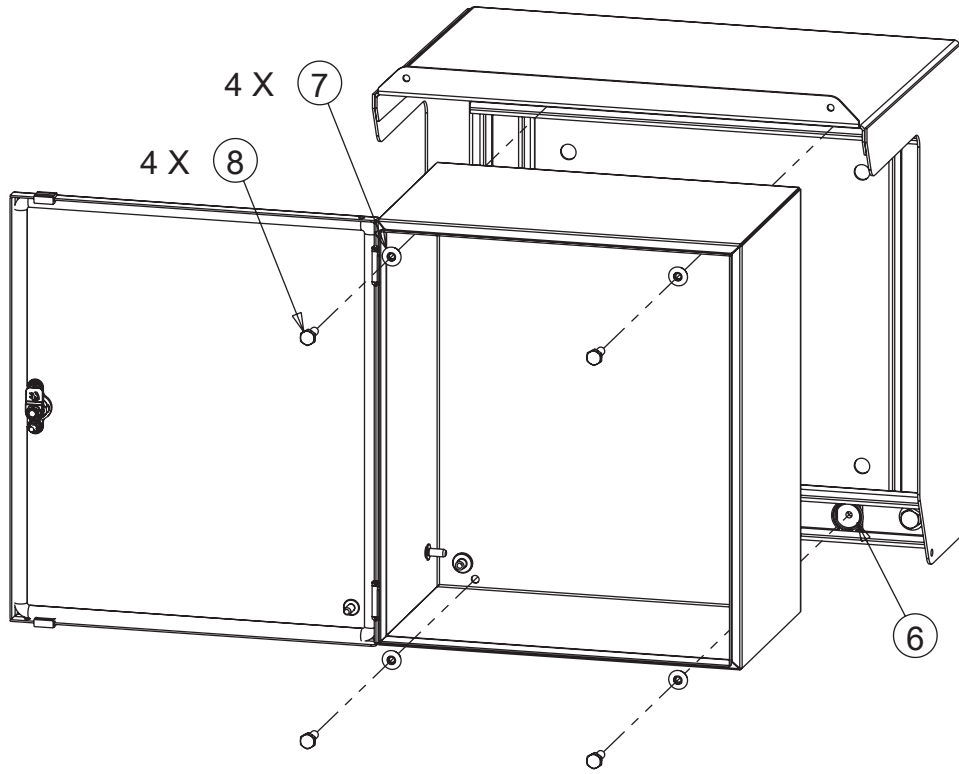
5

BULLETIN A51NF



5

INLINE (BULLETIN A54)



5