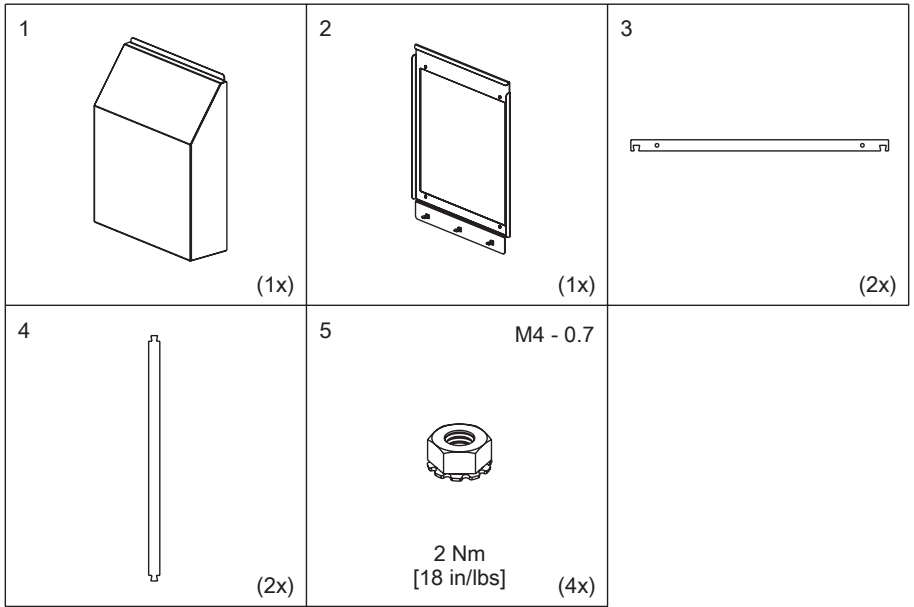


## Filter Fan Shrouds

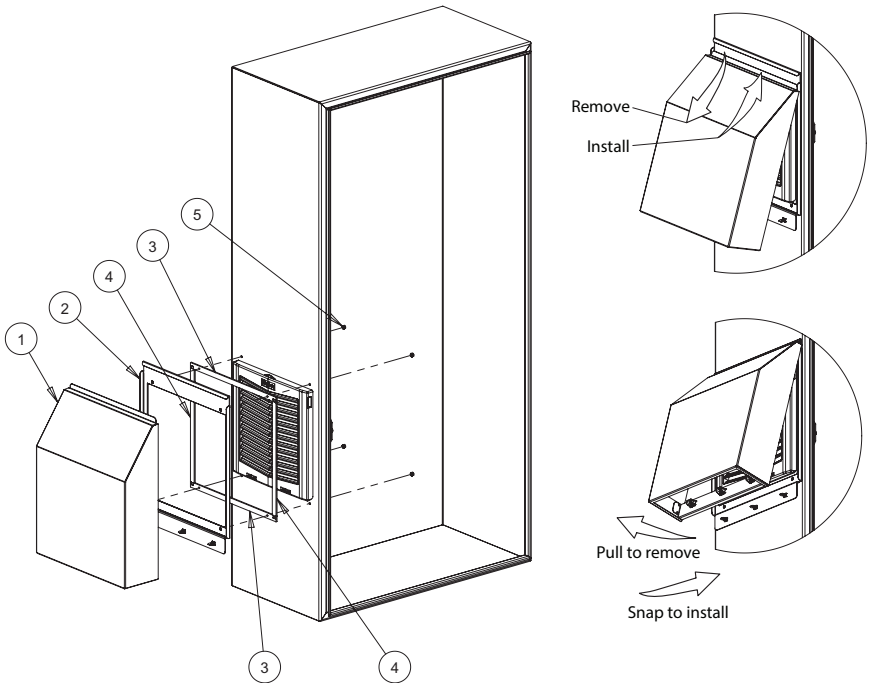
HH Model

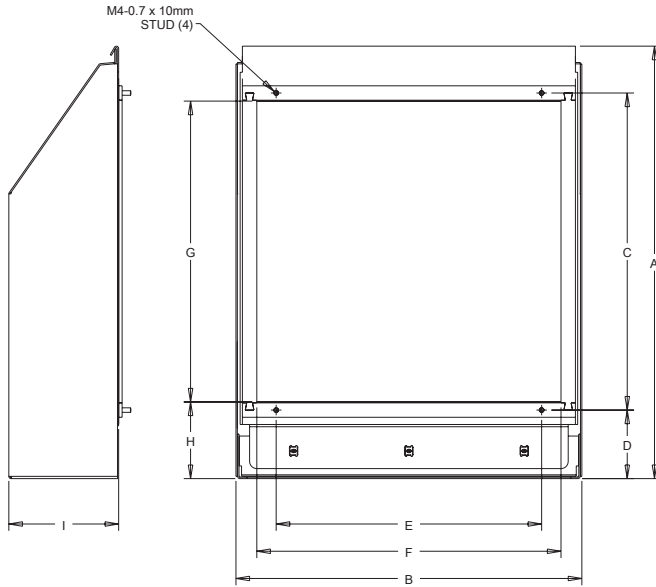
# INSTRUCTION MANUAL

DESIGN WITH CONFIDENCE



When properly installed, maintains UL /cUL Type 3R when used to cover Type 1 or UL Listed FTTA HF/HG and TFP/TEP series filter fan kits. 3R shourd cover must remain on to maintain 3R rating. To change the filter media, refer to the filter fan instruction manual





Catalog Number	A	B	C	D	E	F	G	H	I
HH05	266.3 [10.48]	203.2 [8.00]	177.8 [7.00]	60.1 [2.36]	127.0 [5.00]	171.4 [6.75]	160.8 [6.33]	68.7 [2.70]	47.0 [1.85]
HH10	381.0 [15.00]	304.8 [12.00]	279.4 [11.00]	60.4 [2.38]	233.9 [9.21]	268.1 [10.55]	265.1 [10.44]	67.5 [2.66]	96.8 [3.81]
HH13	457.2 [18.00]	381.0 [15.00]	355.6 [14.00]	73.7 [2.90]	302.0 [11.89]	341.3 [13.44]	341.3 [13.44]	80.8 [3.18]	120.9 [4.76]

Model	Model Description 1	Model Description 2
HH05GS61001	89143084SP	DOOR STRIKE, STEEL
HH10GS61001		
HH13GS61001		
HH05GS35001		
HH10GS35001		
HH13GS35001		
HH05SS04001	89105485SP	DOOR STRIKE, PLASTIC
HH10SS04001		
HH13SS04001		
ALL HH05-HH13 MODELS	89105486SP	DOOR CATCH
ALL HH05 MODELS	89140464SP	GASKET ,HH05
ALL HH10 MODELS	89140509SP	GASKET ,HH10
ALL HH13 MODELS	89140459SP	GASKET ,HH13

## WARRANTY

[http://www.pentairprotect.com/wcsstore/AuroraStorefrontAssetStore/espts/services\\_warranty\\_espot/Sup-00081.pdf](http://www.pentairprotect.com/wcsstore/AuroraStorefrontAssetStore/espts/services_warranty_espot/Sup-00081.pdf)



Pentair Equipment Protection  
2100 Hoffman Way  
Minneapolis, MN 55303 USA  
☎ +1.763.422.2211  
📠 +1.763.576.3200

**PentairProtect.com**