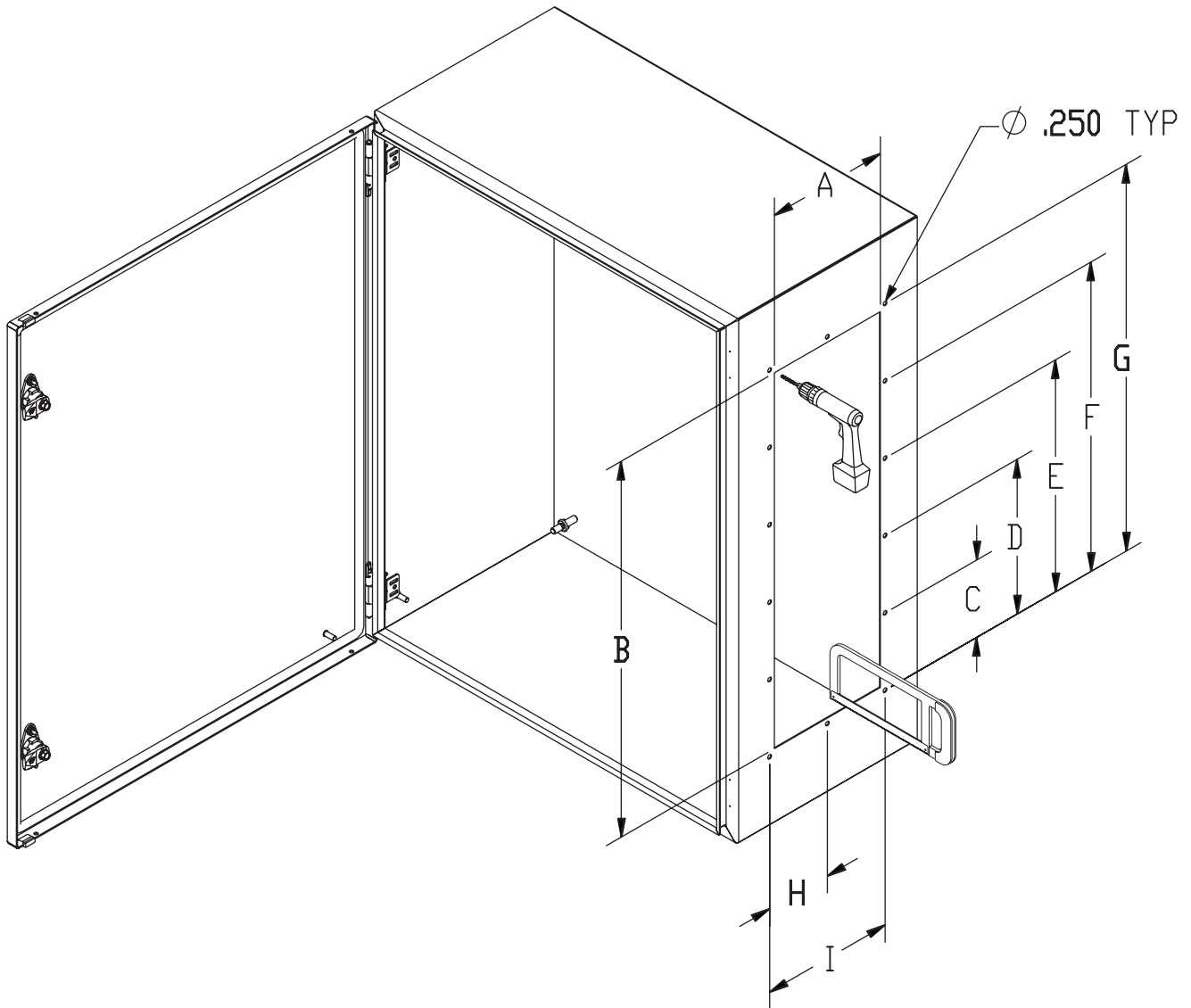
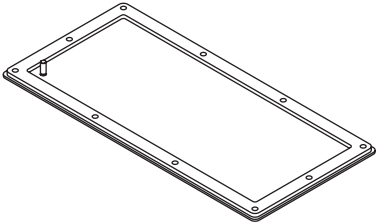
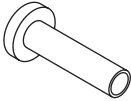





	A	B	C	D	E	F	G	H	I
GP126	3.75 [95]	9.50 [241]	5.063 [129]	10.125 [257]	---	---	---	---	4.375 [111]
GP128	5.75 [146]	9.50 [241]	5.063 [129]	10.125 [257]	---	---	---	3.188 [81]	6.375 [162]
GP166	3.75 [95]	13.50 [343]	4.708 [120]	9.417 [239]	14.125 [359]	---	---	---	4.375 [111]
GP168	5.75 [146]	13.50 [343]	4.708 [120]	9.417 [239]	14.125 [359]	---	---	3.188 [81]	6.375 [162]
GP206	3.75 [95]	17.50 [445]	4.531 [115]	9.063 [230]	13.594 [245]	18.125 [460]	---	---	4.375 [111]
GP208	5.75 [146]	17.50 [445]	4.531 [115]	9.063 [230]	13.594 [245]	18.125 [460]	---	3.188 [81]	6.375 [162]
GP248	5.75 [146]	21.50 [546]	4.425 [112]	8.850 [225]	13.275 [337]	17.700 [450]	22.125 [562]	3.188 [81]	6.375 [162]
GP2412	7.00 [178]	21.50 [546]	4.425 [112]	8.850 [225]	13.275 [337]	17.700 [450]	22.125 [562]	3.813 [97]	7.625 [194]

\*IN  
[MM]



<p>1</p>  <p>1X</p>	<p>2</p> <p>M4X16mm</p>  <p>6X-14X</p>	
<p>3</p> <p>.19 X.44 X.031</p>  <p>6X-14X</p>	<p>4</p> <p>.38 X.16 X.026</p>  <p>6X-14X</p>	<p>5</p> <p>M4</p>  <p>6X-14X</p>

