



CONNECT AND PROTECT

Industrial Modular Enclosures


nvent

HOFFMAN



HOFFMAN

PROLINE Industrial Enclosures

The PROLINE Modular Enclosure System is designed to protect electrical and electronic equipment with particular focus on industrial applications. Each enclosure provides full protection from dirt and dust, moisture, oil and other contaminants and meets the most important industrial standards.



Industrial Modular Enclosures

CHAPTER CONTENTS

PROLINE MODULAR ENCLOSURES PRODUCT OVERVIEW	4
PROLINE INDUSTRIAL PACKAGES, TYPE 12	8
PROLINE Packages Selection Matrix.....	12
PROLINE FRAMES AND ACCESSORIES	16
PROLINE Single Bay Frames and Selection Matrix.....	16
PROLINE Double Bay Frames and Selection Matrix.....	20
PROLINE Frame Accessories	24
PROLINE EXTERNAL COMPONENTS	29
Sides and Covers.....	29
Doors and Door Accessories.....	30
Tops.....	38
Bases and Base Accessories.....	40
PROLINE INTERNAL ACCESSORIES	46
MOUNTING PLATES	46
Grid Straps and Selection Matrix.....	50
Rack and Rails.....	53
Shelves	60
PROLINE PC	62

PROLINE Modular Enclosures Product Overview

PROLINE is a robust enclosure solution with an innovative modular design that provides powerful expansion capabilities. Engineered for industrial environments, PROLINE features design which offers users:

- Fast population
- Large mounting space
- More mounting options
- Very efficient use of interior space
- Large door openings and improved interior access
- Easy panel loading
- Simple ganging and joining options
- Streamlined field modifications
- Reduced freight costs

APPLICATIONS:

- Industrial controls (Drives, PLC, DCS, SCADA, VFD)
- Networking in industrial environments
- Electrical panels
- Equipment protection
- Power distribution
- HMI controls
- EMI/EMC (Electromagnetic interference/compatibility) applications
- Many others

BUILT HOFFMAN TOUGH

Precision welds, smooth grinds, square corners, secure doors and latches, perfect finish and tight seals are what you expect and what nVent HOFFMAN's high standards demand. Below is a list of some features which make PROLINE the modular enclosure of choice for industrial controls.

- Widest standard size range of frames and industrial packages
- High performance, 2,5 mm, roll-formed steel frame with access to both sides of frame mounting holes to allow standard components to be easily installed
- Sturdy mounting subpanel: 2,5 mm, depth adjustable
- Solid/completely enclosed plinth option which eliminates the need for cable entry plates and seals the enclosure to IP55 / NEMA12

FIELD MODIFICATIONS

If the exterior of the enclosure needs to be modified after installation-to add a fan, tower light, potentiometer, or other component - the effected wall panel, door, or top can be simply removed and the modification can be made on the flat component in a controlled environment. This avoids having to modify the enclosure in the operating environment, when attached to equipment, on the manufacturing floor, or in the network center or cleanroom.



- Seamless foam-in-place gasket on external accessories to provide a water-tight, dust-tight seal against moisture and contaminants
- Lockable door with a latching system which assures a solid seal with low closure force
- Ability to join/gang while maintaining environmental rating
- Reversible hinging on single and double doors
- Disconnect door options with a hinged mullion as a means to mount flange-mount disconnects
- External flange trough collar on door and side openings to divert liquid contaminants away from the enclosure door opening

ECONOMY OF SCALE

PROLINE's expandability and configuration options enable the same enclosure system to be used for a wide array of applications. The advantages of modular "plug and play" architecture has been clearly recognized and embraced in the electronics industry. Using a common set of standard components provides shorter development time lines. If needs change or expansion is necessary enclosures can be expanded to save cost, time and labor instead of building an entirely new enclosure system.

PROLINE Modular Enclosures Product Overview

The Power of Accessibility

Easy access to equipment or electronics is important when considering an enclosure. PROLINE enclosures offer large, removeable doors for easy installations and access for equipment maintenance. Sides, bases and tops can also be quickly removed for wiring access or to facilitate repairs. Wide mounting subpanels swing-out so you can stack components and better utilize space, while allowing access to the back of the enclosure for maintenance or troubleshooting your equipment after installation.

The Power of Flexibility

DESIGN YOUR STANDARD - FAST SOLUTIONS TO KEEP YOUR PROJECT ON SCHEDULE

NEED A MODIFICATION?

Use our predefined modification options.

If you need holes and/or cut outs in your panel we can do it for you with fast delivery, no minimum order quantity and very cost effective service.

We can even do more!

You need different color, more welded studs to mount equipment or maybe different size.

We are prepared for this!

We offer predefined RAL colors, stud selection and size change downgrade. We deliver with reduced lead time, flexible minimum order quantity and optimized costs.

NEED TO ASSEMBLE?

Use our free factory Assemble-To-Order (A-T-O)

Whether you need a standard preconfigured industrial package or your own configuration, PROLINE enclosures can be assembled at the factory free of charge as part of HOFFMAN's unique Assemble-To-Order (A-T-O) program. Save time and hassle by using this free service offering.

- Factory assembly by certified professionals
- Preconfigured or customized solutions
- Fast delivery

Design Your Standard is the answer for your most frequent needs.

Ask HOFFMAN for more.

PROLINE Modular Enclosures Product Overview

FOUR WAYS TO SELECT YOUR PROLINE

OPTION 1: SIMPLE

PROLINE PRECONFIGURED INDUSTRIAL PACKAGES

PROLINE preconfigured industrial packages include a solid door, top and rear cover; mounting plate, bottom with gland plates, and four lifting eyes. Side covers and bases can be ordered separately with many options to choose from to suit your application. Refer to the nVent.com/HOFFMAN.com for more information.

- Reversible door (single or double)
- Solid Top
- Rear cover
- Mounting plate
- Bottom plate with gland plates (for cable management)
- Lifting eyes

OPTION 2: DYS - ASSEMBLE-TO-ORDER

CONFIGURE FROM STANDARD PARTS + HOLES/CUTOUTS

Build your enclosure from the ground up using standard parts. Select your frame; then choose your top, base, sides and door(s). As vast majority of enclosures needs cutouts we can prepare side wall, door or any panel according to your needs, with same lead time. Next choose from an array of interior and exterior accessories designed to make your industrial modular enclosure easier to populate and easier to use.

OPTION 3: DYS – PREDEFINED MODIFICATION

OPTION 1 OR 2 + CUSTOM PAINT + WELDED STUDS + SIZE CHANGE

Need a specific paint color or custom holes or cutouts? No available dimension for your equipment, room is too small, more studs would improve your design? You can add these requirements to your standard configuration with only a small effect on your first run delivery lead time.

OPTION 4: MODIFIED

CONFIGURE FROM MODIFIED PARTS

Need something more unique? We will modify a PROLINE modular enclosure to fit your specific application needs. This option includes- custom designed components or other unique requirements you may have. A strong engineering team and a global manufacturing organization support this service across the globe.



PROLINE Modular Enclosures Product Overview

PROLINE PRECONFIGURED INDUSTRIAL PACKAGES



TYPE 12 UL®/NEMA/CSA/EEMAC IP55 IEC/VDE/EN

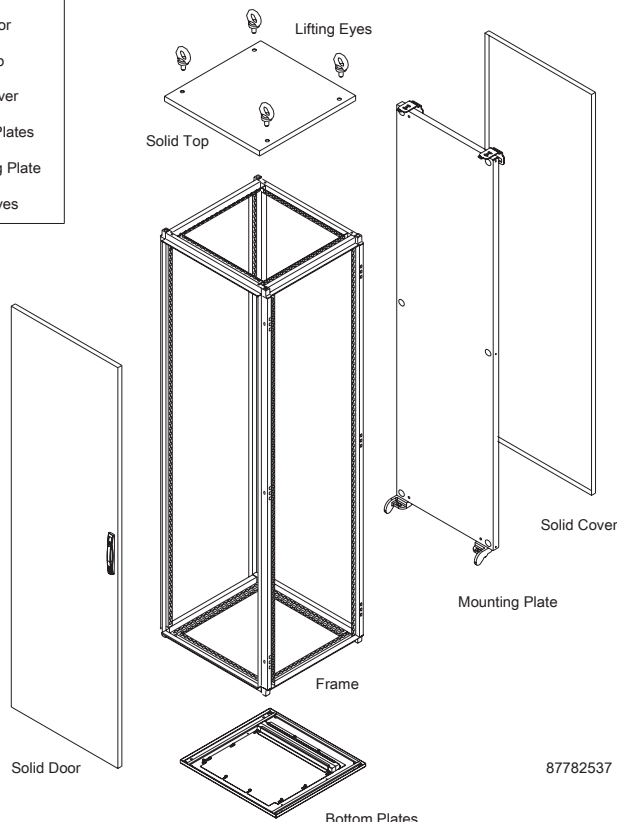
PROLINE preconfigured industrial packages include a solid door, top and rear cover; mounting plate, bottom plate with gland plates, and four lifting eyes. Side walls and bases can be ordered separately with many options to choose from to suit your application.

- Reversible door (single or double)
- Top wall roof plate
- Rear wall
- Mounting plate
- Bottom plate with gland plates
- Lifting eyes

PRECONFIGURED INDUSTRIAL PACKAGE MODEL KEY

Model	Door	Height	Width	Depth	Item Number
P	P	22	8	6	PP2286
PROLINE	P = Single Door POD = Overlapping Doors	mm/in. 22 = 2200/86.60 20 = 2000/78.70 18 = 1800/70.90 16 = 1600/64.00 14 = 1400/55.80	mm/in. 12 = 1200/47.30 10 = 1000/39.30 8 = 800/31.50 6 = 600/23.60 4 = 400/15.80	mm/in. 8 = 800/31.50 6 = 600/23.60 5 = 500/19.70 4 = 400/15.80	

Standard Configuration	
<input type="checkbox"/>	Frame
<input type="checkbox"/>	Solid Door
<input type="checkbox"/>	Solid Top
<input type="checkbox"/>	Solid Cover
<input type="checkbox"/>	Bottom Plates
<input type="checkbox"/>	Mounting Plate
<input type="checkbox"/>	Lifting Eyes



87782537

PROLINE Industrial Packages, Type 12



INDUSTRY STANDARDS

UL 508A Listed; Type 12; File Number E61997

IEC 60529, IP55
CE, IEC 62208
VDE IP55
NEMA/EEMAC Type 12
CSA File Number 42186 Type 12



APPLICATION

- Industrial controls (Drives, PLC, DCS, SCADA, VFD)
- Networking in industrial environments
- Electrical panels
- Equipment protection
- Power distribution
- HMI controls
- EMI/EMC (Electromagnetic interference/compatibility)
- applications
- Many others

SCOPE OF DELIVERY

PROLINE Industrial Packages supply includes:

- Frame
- Hidden hinged door(s)
 - single bay - with 3 mm double tongue lock
 - double bay - overlapping with swing handle and key lock
- Mounting plate
- Bottom plate with gland plates
- Rear wall
- Solid top
- 4 eyebolts (lifting eyes)
- Grounding hardware for mounting plate

*side covers and base need to be ordered separately.

For product specific accessories, please go to the end of the chapter.

FEATURES

- Frames are a roll-formed, robotically welded with solid steel, fully welded corners; accommodates 25 mm DIN standard
- Standard door bars increase strength and rigidity and allow for an extra mounting options
- Seamless foam-in-place gasket provides a protective seal against moisture and contaminants
- Gasket and latching system together ensure a solid seal with low closure force
- Reversible door, left hinged as a default, with 130-degree swing
- Galvanized mounting plates
- Capped ground studs on door, rear and top panel.
- Integral frame channels support the full weight of the mounting plates

SPECIFICATIONS

- Frame thickness 2,5 mm carbon steel powder painted
- Door thickness 1,5 - 2,0 mm, carbon steel powder painted – for details please check reference tables
- Mounting panel 2,5 mm on single bay, 3,0 mm on double bay, galvanized steel
- Rear panel & solid top 1,5 mm, carbon steel powder painted

FINISH

Color RAL 7035 textured light gray.

PROLINE Industrial Packages, Type 12

STANDARD PRODUCT, HEIGHT 1400/1600 [mm]

Item number	Nominal Size H x W x D [mm]	Size H1 x W1 x D1 [mm]	Mounting Plate Size H x W [mm]	Door(s)	Door thickness [mm]	Frame
PP1465	1400 x 600 x 500	1384 x 599 x 499	1285 x 530	1	1.5	Single-Bay
PP1466	1400 x 600 x 600	1384 x 599 x 599	1285 x 530	1	1.5	Single-Bay
PP1468	1400 x 600 x 800	1384 x 599 x 799	1285 x 530	1	1.5	Single-Bay
PP1485	1400 x 800 x 500	1384 x 799 x 499	1285 x 730	1	1.8	Single-Bay
PPOD14125	1400 x 1200 x 500	1384 x 1199 x 499	1285 x 1130	2	1.8	Double-Bay
PP1665	1600 x 600 x 500	1584 x 599 x 499	1485 x 530	1	1.5	Single-Bay
PP1666	1600 x 600 x 600	1584 x 599 x 599	1485 x 530	1	1.5	Single-Bay
PP1668	1600 x 600 x 800	1584 x 599 x 799	1485 x 530	1	1.5	Single-Bay
PP1685	1600 x 800 x 500	1584 x 799 x 499	1485 x 730	1	1.8	Single-Bay
PP1686	1600 x 800 x 600	1584 x 799 x 599	1485 x 730	1	1.8	Single-Bay
PPOD16125	1600 x 1200 x 500	1584 x 1199 x 499	1485 x 1130	2	1.8	Double-Bay

STANDARD PRODUCT, HEIGHT 1800 [mm]

Item number	Nominal Size H x W x D [mm]	Size H1 x W1 x D1 [mm]	Mounting Plate Size H x W [mm]	Door(s)	Door thickness [mm]	Frame
PP1845	1800 x 400 x 500	1784 x 399 x 499	1685 x 330	1	1.5	Single-Bay
PP1846	1800 x 400 x 600	1784 x 399 x 599	1685 x 330	1	1.5	Single-Bay
PP1864	1800 x 600 x 400	1784 x 599 x 399	1685 x 530	1	1.5	Single-Bay
PP1865	1800 x 600 x 500	1784 x 599 x 499	1685 x 530	1	1.5	Single-Bay
PP1866	1800 x 600 x 600	1784 x 599 x 599	1685 x 530	1	1.5	Single-Bay
PP1868	1800 x 600 x 800	1784 x 599 x 799	1685 x 530	1	1.5	Single-Bay
PP1884	1800 x 800 x 400	1784 x 799 x 399	1685 x 730	1	1.8	Single-Bay
PP1885	1800 x 800 x 500	1784 x 799 x 499	1685 x 730	1	1.8	Single-Bay
PPOD1885	1800 x 800 x 500	1784 x 799 x 499	1685 x 730	2	2.0	Single-Bay
PP1886	1800 x 800 x 600	1784 x 799 x 599	1685 x 730	1	1.8	Single-Bay
PPOD1886	1800 x 800 x 600	1784 x 799 x 599	1685 x 730	2	2.0	Single-Bay
PP1888	1800 x 800 x 800	1784 x 799 x 799	1685 x 730	1	1.8	Single-Bay
PP18104	1800 x 1000 x 400	1784 x 999 x 399	1685 x 930	1	2.0	Single-Bay
PPOD18104	1800 x 1000 x 400	1784 x 999 x 399	1685 x 930	2	2.0	Single-Bay
PP18105	1800 x 1000 x 500	1784 x 999 x 499	1685 x 930	1	2.0	Single-Bay
PPOD18105	1800 x 1000 x 500	1784 x 999 x 499	1685 x 930	2	2.0	Single-Bay
PP18106	1800 x 1000 x 600	1784 x 999 x 599	1685 x 930	1	2.0	Single-Bay
PP18108	1800 x 1000 x 800	1784 x 999 x 799	1685 x 930	1	2.0	Single-Bay
PPOD18124	1800 x 1200 x 400	1784 x 1199 x 399	1685 x 1130	2	1.8	Double-Bay
PPOD18125	1800 x 1200 x 500	1784 x 1199 x 499	1685 x 1130	2	1.8	Double-Bay
PPOD18126	1800 x 1200 x 600	1784 x 1199 x 599	1685 x 1130	2	1.8	Double-Bay
PPOD18128	1800 x 1200 x 800	1784 x 1199 x 799	1685 x 1130	2	1.8	Double-Bay

STANDARD PRODUCT, HEIGHT 2000 [mm]

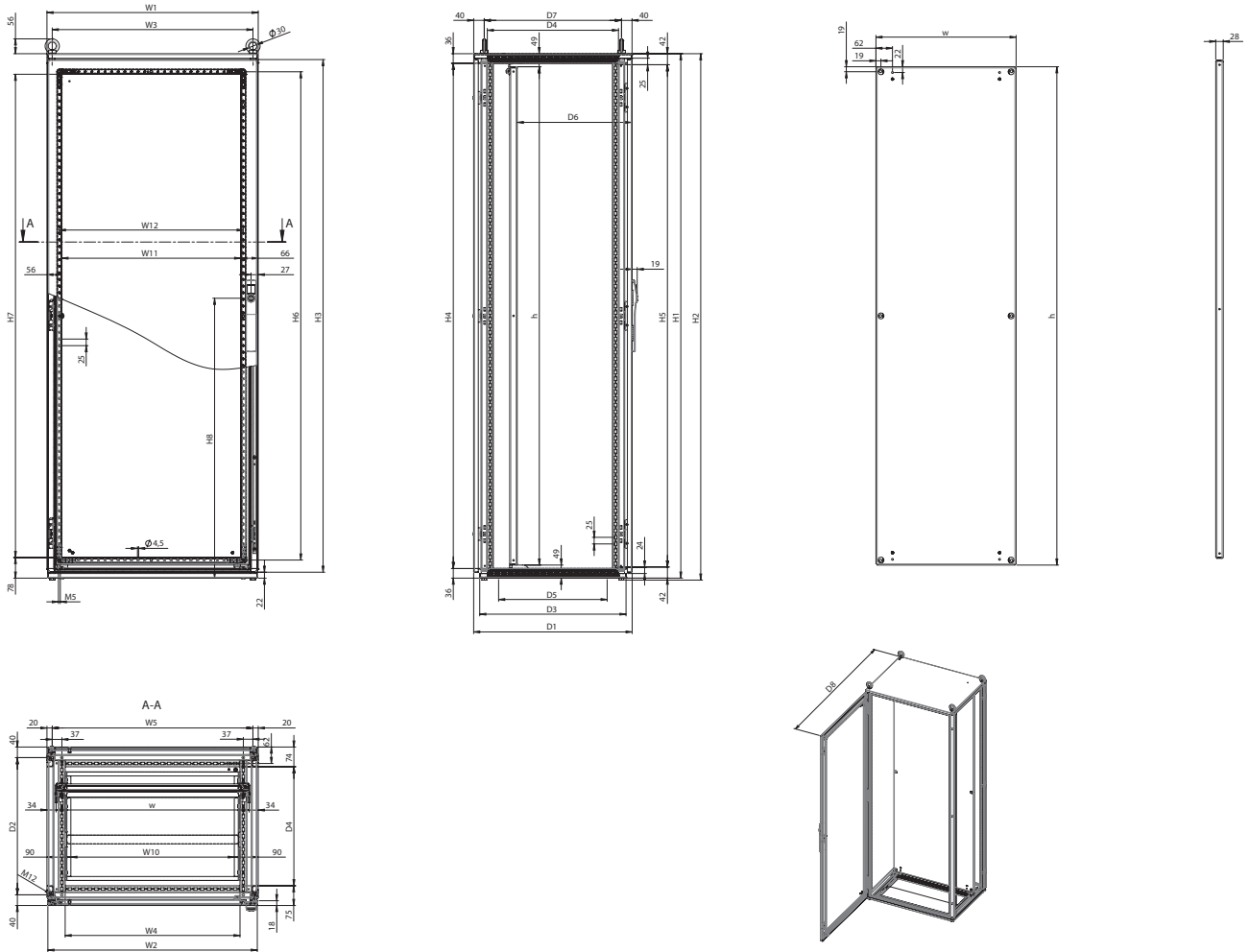
Item number	Nominal Size H x W x D [mm]	Size H1 x W1 x D1 [mm]	Mounting Plate Size H x W [mm]	Door(s)	Door thickness [mm]	Frame
PP2045	2000 x 400 x 500	1984 x 399 x 499	1885 x 330	1	1.5	Single-Bay
PP2046	2000 x 400 x 600	1984 x 399 x 599	1885 x 330	1	1.5	Single-Bay
PP2064	2000 x 600 x 400	1984 x 599 x 399	1885 x 530	1	1.5	Single-Bay
PP2065	2000 x 600 x 500	1984 x 599 x 499	1885 x 530	1	1.5	Single-Bay
PP2066	2000 x 600 x 600	1984 x 599 x 599	1885 x 530	1	1.5	Single-Bay
PP2068	2000 x 600 x 800	1984 x 599 x 799	1885 x 530	1	1.5	Single-Bay
PP2084	2000 x 800 x 400	1984 x 799 x 399	1885 x 730	1	1.8	Single-Bay
PP2085	2000 x 800 x 500	1984 x 799 x 499	1885 x 730	1	1.8	Single-Bay
PP2086	2000 x 800 x 600	1984 x 799 x 599	1885 x 730	1	1.8	Single-Bay
PP2088	2000 x 800 x 800	1984 x 799 x 799	1885 x 730	1	1.8	Single-Bay
PP20104	2000 x 1000 x 400	1984 x 999 x 399	1885 x 930	1	2.0	Single-Bay
PPOD20104	2000 x 1000 x 400	1984 x 999 x 399	1885 x 930	2	2.0	Single-Bay
PP20105	2000 x 1000 x 500	1984 x 999 x 499	1885 x 930	1	2.0	Single-Bay
PPOD20105	2000 x 1000 x 500	1984 x 999 x 499	1885 x 930	2	2.0	Single-Bay
PP20106	2000 x 1000 x 600	1984 x 999 x 599	1885 x 930	1	2.0	Single-Bay
PPOD20106	2000 x 1000 x 600	1984 x 999 x 599	1885 x 930	2	2.0	Single-Bay
PP20108	2000 x 1000 x 800	1984 x 999 x 799	1885 x 930	1	2.0	Single-Bay
PPOD20124	2000 x 1200 x 400	1984 x 1199 x 399	1885 x 1130	2	1.8	Double-Bay
PPOD20125	2000 x 1200 x 500	1984 x 1199 x 499	1885 x 1130	2	1.8	Double-Bay
PPOD20126	2000 x 1200 x 600	1984 x 1199 x 599	1885 x 1130	2	1.8	Double-Bay
PPOD20128	2000 x 1200 x 800	1984 x 1199 x 799	1885 x 1130	2	1.8	Double-Bay

STANDARD PRODUCT, HEIGHT 2200 [mm]

Item number	Nominal Size H x W x D [mm]	Size H1 x W1 x D1 [mm]	Mounting Plate Size H x W [mm]	Door(s)	Door thickness [mm]	Frame
PP2266	2200 x 600 x 600	2184 x 599 x 599	2085 x 530	1	1.5	Single-Bay
PP2268	2200 x 600 x 800	2184 x 599 x 799	2085 x 530	1	1.5	Single-Bay
PP2286	2200 x 800 x 600	2184 x 799 x 599	2085 x 730	1	1.8	Single-Bay
PP2288	2200 x 800 x 800	2184 x 799 x 799	2085 x 730	1	1.8	Single-Bay
PPOD22125	2200 x 1200 x 500	2184 x 1199 x 499	2085 x 1130	2	1.8	Double-Bay
PPOD22126	2200 x 1200 x 600	2184 x 1199 x 599	2085 x 1130	2	1.8	Double-Bay
PPOD22128	2200 x 1200 x 800	2184 x 1199 x 799	2085 x 1130	2	1.8	Double-Bay

PROLINE Industrial Packages, Type 12

PROLINE INDUSTRIAL PACKAGES, SINGLE DOOR



HEIGHTS [mm]

H	H1	H2	H3	H4	H5	H6	H7	h
1400	1384	1391	1339	1311	1300	1247	1228	1285
1600	1584	1591	1539	1511	1500	1447	1428	1485
1800	1784	1791	1739	1711	1700	1647	1628	1685
2000	1984	1991	1939	1911	1900	1847	1828	1885
2200	2184	2191	2139	2111	2100	2047	2028	2085

WIDTHS [mm]

W	W1	W2	W3	W4	W5	W6	W7	W9	W10	W11	W12	w
400	599	392	359	261	359	-	-	-	218	276	295	330
600	599	592	559	461	559	-	-	-	418	476	495	530
800	799	792	759	661	759	-	-	-	618	676	695	730
1000	999	992	959	861	959	-	-	-	818	876	895	930

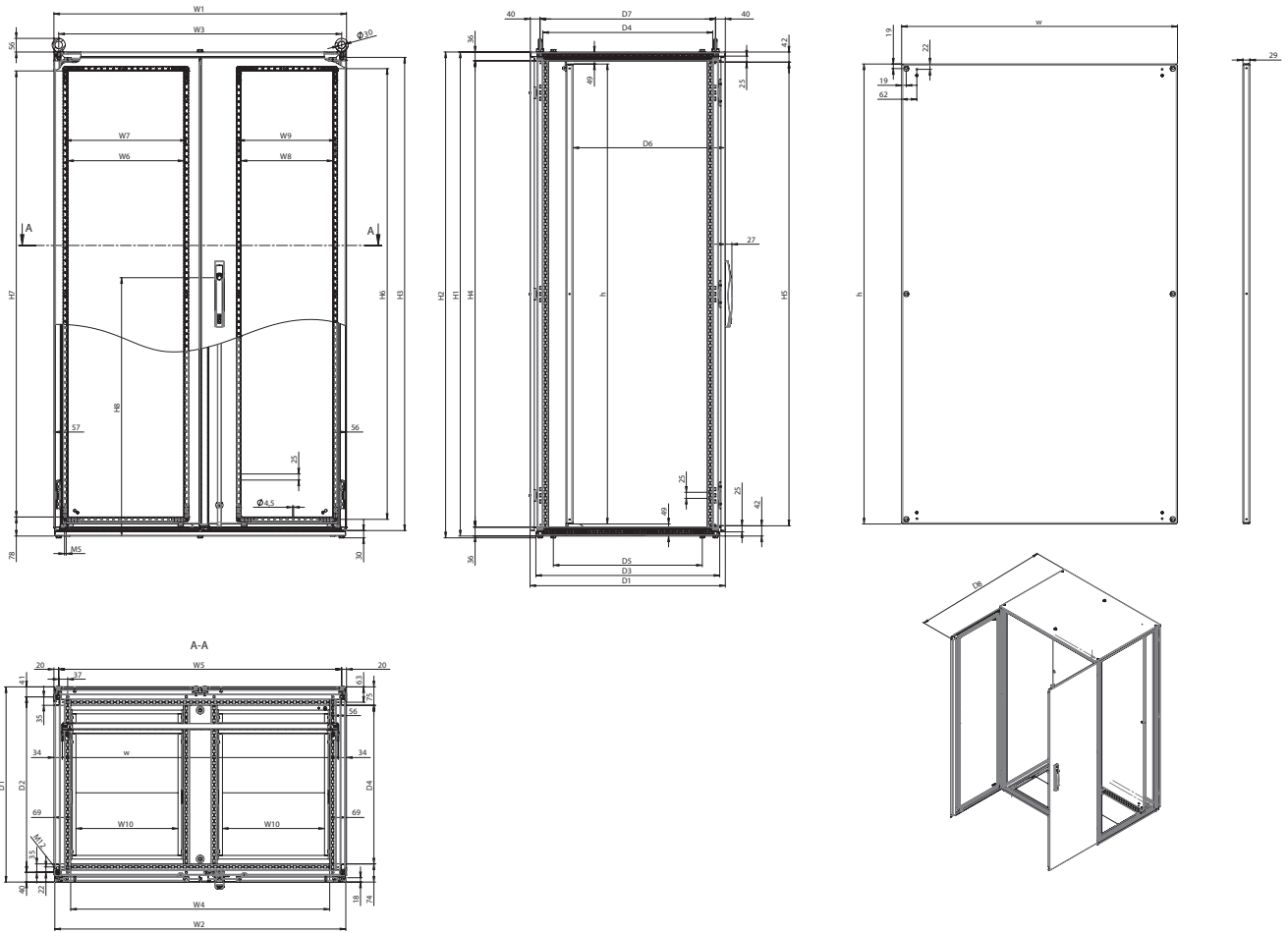
DEPTHS [mm]

D	D1	D2	D3	D4	D5	D6 min.	D6 max.	D7
400	399	319	353	296	210	97	322	319
500	499	419	453	396	310	97	422	419
600	599	519	553	496	410	97	522	519
800	799	719	753	696	610	97	722	719

*D8 = (D+W)-16

PROLINE Industrial Packages, Type 12

PROLINE INDUSTRIAL PACKAGES, DOUBLE DOOR



HEIGHTS [mm]

H	H1	H2	H3	H4	H5	H6	H8	h
1400	1384	1391	1339	1311	1300	1247	758	1285
1600	1584	1591	1539	1511	1500	1447	858	1485
1800	1784	1791	1739	1711	1700	1647	958	1685
2000	1984	1991	1939	1911	1900	1847	1058	1885
2200	2184	2191	2139	2111	2100	2047	1158	2085

WIDTHS [mm]

W	W1	W2	W3	W4	W5	W6	W7	W8	W9	W10	W11	W12	w
800	799	792	759	661	759	276	295	176	195	218	676	695	730
1000	999	992	959	861	959	376	395	276	295	318	876	895	930
1200	1199	1192	1159	1061	1159	476	495	376	395	418	1076	1095	1130

DEPTHS [mm]

D	D1	D2	D3	D4	D5	D6 min.	D6 max.	D7
400	399	319	353	296	210	97	322	319
500	499	419	453	396	310	97	422	419
600	599	519	553	496	410	97	522	519
800	799	719	753	696	610	97	722	719

*D8 = [D+(W*0,5)+12]

PROLINE Industrial Packages, Type 12

PROLINE COMPONENTS SELECTION MATRIX

PP	SIZE [mm]			100-mm Plinth Base	200-mm Plinth Base	Solid Side	Additional mounting plate ^e	Cable Entry Cabinets
	H	W	D					
PP1465	1400	600	500	PPB165	PPB265	PSS145	PPF146G	-
PP1466	1400	600	600	PPB166	PPB266	PSS146	PPF146G	-
PP1468	1400	600	800	PPB168	PPB268	PSS148	PPF146G	-
PP1485	1400	800	500	PPB185	PPB285	PSS145	PPF148G	-
PPOD14125	1400	1200	500	PPB1125	PPB2125	PSS145	PPG1412G	-
PP1665	1600	600	500	PPB165	PPB265	PSS165	PPF166G	PCE165300
PP1666	1600	600	600	PPB166	PPB266	PSS166	PPF166G	PCE166300
PP1668	1600	600	800	PPB168	PPB268	PSS168	PPF166G	PCE168300
PP1685	1600	800	500	PPB185	PPB285	PSS165	PPF168G	PCE165300
PP1686	1600	800	600	PPB186	PPB286	PSS166	PPF168G	PCE166300
PPOD16125	1600	1200	500	PPB1125	PPB2125	PSS165	PPF1612G	PCE165300
PP1845	1800	400	500	PPB145	PPB245	PSS185	PPF184G	PCE185300
PP1846	1800	400	600	PPB146	PPB246	PSS186	PPF184G	PCE186300
PP1864	1800	600	400	PPB164	PPB264	PSS184	PPF186G	-
PP1865	1800	600	500	PPB165	PPB265	PSS185	PPF186G	PCE185300
PP1866	1800	600	600	PPB166	PPB266	PSS186	PPF186G	PCE186300
PP1868	1800	600	800	PPB168	PPB268	PSS188	PPF186G	PCE188300
PP1884	1800	800	400	PPB184	PPB284	PSS184	PPF188G	-
PP1885	1800	800	500	PPB185	PPB285	PSS185	PPF188G	PCE185300
PP1886	1800	800	600	PPB186	PPB286	PSS186	PPF188G	PCE186300
PP1888	1800	800	800	PPB188	PPB288	PSS188	PPF188G	PCE188300
PP18104	1800	1000	400	PPB1104	PPB2104	PSS184	PPF1810G	-
PP18105	1800	1000	500	PPB1105	PPB2105	PSS185	PPF1810G	PCE185300
PP18106	1800	1000	600	PPB1106	PPB2106	PSS186	PPF1810G	PCE186300
PP18108	1800	1000	800	PPB1108	PPB2108	PSS188	PPF1810G	PCE188300
PPOD1885	1800	800	500	PPB185	PPB285	PSS185	PPF188G	PCE185300
PPOD1886	1800	800	600	PPB186	PPB286	PSS186	PPF188G	PCE186300
PPOD18104	1800	1000	400	PPB1104	PPB2104	PSS184	PPF1810G	-
PPOD18105	1800	1000	500	PPB1105	PPB2105	PSS185	PPF1810G	PCE185300
PPOD18124	1800	1200	400	PPB1124	PPB2124	PSS184	PPF1812G	-
PPOD18125	1800	1200	500	PPB1125	PPB2125	PSS185	PPF1812G	PCE185300
PPOD18126	1800	1200	600	PPB1126	PPB2126	PSS186	PPF1812G	PCE186300
PPOD18128	1800	1200	800	PPB1128	PPB2128	PSS188	PPF1812G	PCE188300
PP2045	2000	400	500	PPB145	PPB245	PSS205	PPF204G	PCE205300
PP2046	2000	400	600	PPB146	PPB246	PSS206	PPF204G	PCE206300
PP2064	2000	600	400	PPB164	PPB264	PSS204	PPF206G	-
PP2065	2000	600	500	PPB165	PPB265	PSS205	PPF206G	PCE205300
PP2066	2000	600	600	PPB166	PPB266	PSS206	PPF206G	PCE206300
PP2068	2000	600	800	PPB168	PPB268	PSS208	PPF206G	PCE208300
PP2084	2000	800	400	PPB184	PPB284	PSS204	PPF208G	-
PP2085	2000	800	500	PPB185	PPB285	PSS205	PPF208G	PCE205300
PP2086	2000	800	600	PPB186	PPB286	PSS206	PPF208G	PCE206300
PP2088	2000	800	800	PPB188	PPB288	PSS208	PPF208G	PCE208300
PP20104	2000	1000	400	PPB1104	PPB2104	PSS204	PPF2010G	-
PP20105	2000	1000	500	PPB1105	PPB2105	PSS205	PPF2010G	PCE205300
PP20106	2000	1000	600	PPB1106	PPB2106	PSS206	PPF2010G	PCE206300
PP20108	2000	1000	800	PPB1108	PPB2108	PSS208	PPF2010G	PCE208300
PPOD20104	2000	1000	400	PPB1104	PPB2104	PSS204	PPF2010G	-
PPOD20105	2000	1000	500	PPB1105	PPB2105	PSS205	PPF2010G	PCE205300
PPOD20106	2000	1000	600	PPB1106	PPB2106	PSS206	PPF2010G	PCE206300
PPOD20124	2000	1200	400	PPB1124	PPB2124	PSS204	PPF2012G	-
PPOD20125	2000	1200	500	PPB1125	PPB2125	PSS205	PPF2012G	PCE205300
PPOD20126	2000	1200	600	PPB1126	PPB2126	PSS206	PPF2012G	PCE206300
PPOD20128	2000	1200	800	PPB1128	PPB2128	PSS208	PPF2012G	PCE208300
PP2266	2200	600	600	PPB166	PPB266	PSS226	PPF226G	-
PP2268	2200	600	800	PPB168	PPB268	PSS228	PPF226G	PCE228300
PP2286	2200	800	600	PPB186	PPB286	PSS226	PPF228G	-
PP2288	2200	800	800	PPB188	PPB288	PSS228	PPF228G	PCE228300
PPOD22125	2200	1200	500	PPB1125	PPB2125	PSS225	PPF2212G	PCE225300
PPOD22126	2200	1200	600	PPB1126	PPB2126	PSS226	PPF2212G	-
PPOD22128	2200	1200	800	PPB1128	PPB2128	PSS228	PPF2212G	PCE228300

Cable Entry Cabinets/Solid Sides, see page 27 / 29

Plinth Base/ Mounting Plate, see page 42 / 46

^e One mounting plate already included in PROLINE Package

PROLINE Industrial Packages, Type 12

PROLINE COMPONENTS SELECTION MATRIX

PP	SIZE [mm]			Grid straps ^c		Grid straps ^d		Full Height Vertical Grid Strap	Heavy duty swing-out rack frame
	H	W	D	One Row	Three Row	One Row	Three Row		
PP1465	1400	600	500	PGH1S5	PGH3S5	PGH1S7	PGH3S7	PGH3S14V	-
PP1466	1400	600	600	PGH1S6	PGH3S6	PGH1S7	PGH3S7	PGH3S14V	PSF146
PP1468	1400	600	800	PGH1S8	PGH3S8	PGH1S7	PGH3S7	PGH3S14V	PSF146
PP1485	1400	800	500	PGH1S5	PGH3S5	PGH1S9	PGH3S9	PGH3S14V	PSF148
PPOD14125	1400	1200	500	PGH1S5	PGH3S5	PGH1S13	PGH3S13	PGH3S14V	-
PP1665	1600	600	500	PGH1S5	PGH3S5	PGH1S7	PGH3S7	PGH3S16V	-
PP1666	1600	600	600	PGH1S6	PGH3S6	PGH1S7	PGH3S7	PGH3S16V	-
PP1668	1600	600	800	PGH1S8	PGH3S8	PGH1S7	PGH3S7	PGH3S16V	-
PP1685	1600	800	500	PGH1S5	PGH3S5	PGH1S9	PGH3S9	PGH3S16V	PSF168
PP1686	1600	800	600	PGH1S6	PGH3S6	PGH1S9	PGH3S9	PGH3S16V	PSF168
PPOD16125	1600	1200	500	PGH1S5	PGH3S5	PGH1S13	PGH3S13	PGH3S16V	-
PP1845	1800	400	500	PGH1S5	PGH3S5	-	-	PGH3S18V	-
PP1846	1800	400	600	PGH1S6	PGH3S6	-	-	PGH3S18V	-
PP1864	1800	600	400	PGH1S4	PGH3S4	PGH1S7	PGH3S7	PGH3S18V	PSF186
PP1865	1800	600	500	PGH1S5	PGH3S5	PGH1S7	PGH3S7	PGH3S18V	PSF186
PP1866	1800	600	600	PGH1S6	PGH3S6	PGH1S7	PGH3S7	PGH3S18V	PSF186
PP1868	1800	600	800	PGH1S8	PGH3S8	PGH1S7	PGH3S7	PGH3S18V	PSF186
PP1884	1800	800	400	PGH1S4	PGH3S4	PGH1S9	PGH3S9	PGH3S18V	PSF188
PP1885	1800	800	500	PGH1S5	PGH3S5	PGH1S9	PGH3S9	PGH3S18V	PSF188
PP1886	1800	800	600	PGH1S6	PGH3S6	PGH1S9	PGH3S9	PGH3S18V	PSF188
PP1888	1800	800	800	PGH1S8	PGH3S8	PGH1S9	PGH3S9	PGH3S18V	PSF188
PP18104	1800	1000	400	PGH1S4	PGH3S4	PGH1S11	PGH3S11	PGH3S18V	-
PP18105	1800	1000	500	PGH1S5	PGH3S5	PGH1S11	PGH3S11	PGH3S18V	-
PP18106	1800	1000	600	PGH1S6	PGH3S6	PGH1S11	PGH3S11	PGH3S18V	-
PP18108	1800	1000	800	PGH1S8	PGH3S8	PGH1S11	PGH3S11	PGH3S18V	-
PPOD1885	1800	800	500	PGH1S5	PGH3S5	PGH1S9	PGH3S9	PGH3S18V	-
PPOD1886	1800	800	600	PGH1S6	PGH3S6	PGH1S9	PGH3S9	PGH3S18V	-
PPOD18104	1800	1000	400	PGH1S4	PGH3S4	PGH1S11	PGH3S11	PGH3S18V	-
PPOD18105	1800	1000	500	PGH1S5	PGH3S5	PGH1S11	PGH3S11	PGH3S18V	-
PPOD18124	1800	1200	400	PGH1S4	PGH3S4	PGH1S13	PGH3S13	PGH3S18V	-
PPOD18125	1800	1200	500	PGH1S5	PGH3S5	PGH1S13	PGH3S13	PGH3S18V	-
PPOD18126	1800	1200	600	PGH1S6	PGH3S6	PGH1S13	PGH3S13	PGH3S18V	-
PPOD18128	1800	1200	800	PGH1S8	PGH3S8	PGH1S13	PGH3S13	PGH3S18V	-
PP2045	2000	400	500	PGH1S5	PGH3S5	-	-	PGH3S20V	-
PP2046	2000	400	600	PGH1S6	PGH3S6	-	-	PGH3S20V	-
PP2064	2000	600	400	PGH1S4	PGH3S4	PGH1S7	PGH3S7	PGH3S20V	PSF206
PP2065	2000	600	500	PGH1S5	PGH3S5	PGH1S7	PGH3S7	PGH3S20V	PSF206
PP2066	2000	600	600	PGH1S6	PGH3S6	PGH1S7	PGH3S7	PGH3S20V	PSF206
PP2068	2000	600	800	PGH1S8	PGH3S8	PGH1S7	PGH3S7	PGH3S20V	PSF206
PP2084	2000	800	400	PGH1S4	PGH3S4	PGH1S9	PGH3S9	PGH3S20V	PSF208
PP2085	2000	800	500	PGH1S5	PGH3S5	PGH1S9	PGH3S9	PGH3S20V	PSF208
PP2086	2000	800	600	PGH1S6	PGH3S6	PGH1S9	PGH3S9	PGH3S20V	PSF208
PP2088	2000	800	800	PGH1S8	PGH3S8	PGH1S9	PGH3S9	PGH3S20V	PSF208
PP20104	2000	1000	400	PGH1S4	PGH3S4	PGH1S11	PGH3S11	PGH3S20V	-
PP20105	2000	1000	500	PGH1S5	PGH3S5	PGH1S11	PGH3S11	PGH3S20V	-
PP20106	2000	1000	600	PGH1S6	PGH3S6	PGH1S11	PGH3S11	PGH3S20V	-
PP20108	2000	1000	800	PGH1S8	PGH3S8	PGH1S11	PGH3S11	PGH3S20V	-
PPOD20104	2000	1000	400	PGH1S4	PGH3S4	PGH1S11	PGH3S11	PGH3S20V	-
PPOD20105	2000	1000	500	PGH1S5	PGH3S5	PGH1S11	PGH3S11	PGH3S20V	-
PPOD20106	2000	1000	600	PGH1S6	PGH3S6	PGH1S11	PGH3S11	PGH3S20V	-
PPOD20124	2000	1200	400	PGH1S4	PGH3S4	PGH1S13	PGH3S13	PGH3S20V	-
PPOD20125	2000	1200	500	PGH1S5	PGH3S5	PGH1S13	PGH3S13	PGH3S20V	-
PPOD20126	2000	1200	600	PGH1S6	PGH3S6	PGH1S13	PGH3S13	PGH3S20V	-
PPOD20128	2000	1200	800	PGH1S8	PGH3S8	PGH1S13	PGH3S13	PGH3S20V	-
PP2266	2200	600	600	PGH1S6	PGH3S6	PGH1S7	PGH3S7	PGH3S22V	PSF226
PP2268	2200	600	800	PGH1S8	PGH3S8	PGH1S7	PGH3S7	PGH3S22V	PSF226
PP2286	2200	800	600	PGH1S6	PGH3S6	PGH1S9	PGH3S9	PGH3S22V	PSF228
PP2288	2200	800	800	PGH1S8	PGH3S8	PGH1S9	PGH3S9	PGH3S22V	PSF228
PPOD22125	2200	1200	500	PGH1S5	PGH3S5	PGH1S13	PGH3S13	PGH3S22V	-
PPOD22126	2200	1200	600	PGH1S6	PGH3S6	PGH1S13	PGH3S13	PGH3S22V	-
PPOD22128	2200	1200	800	PGH1S8	PGH3S8	PGH1S13	PGH3S13	PGH3S22V	-

Grid Straps/ Heavy duty swing-out rack frame, see page 50/54

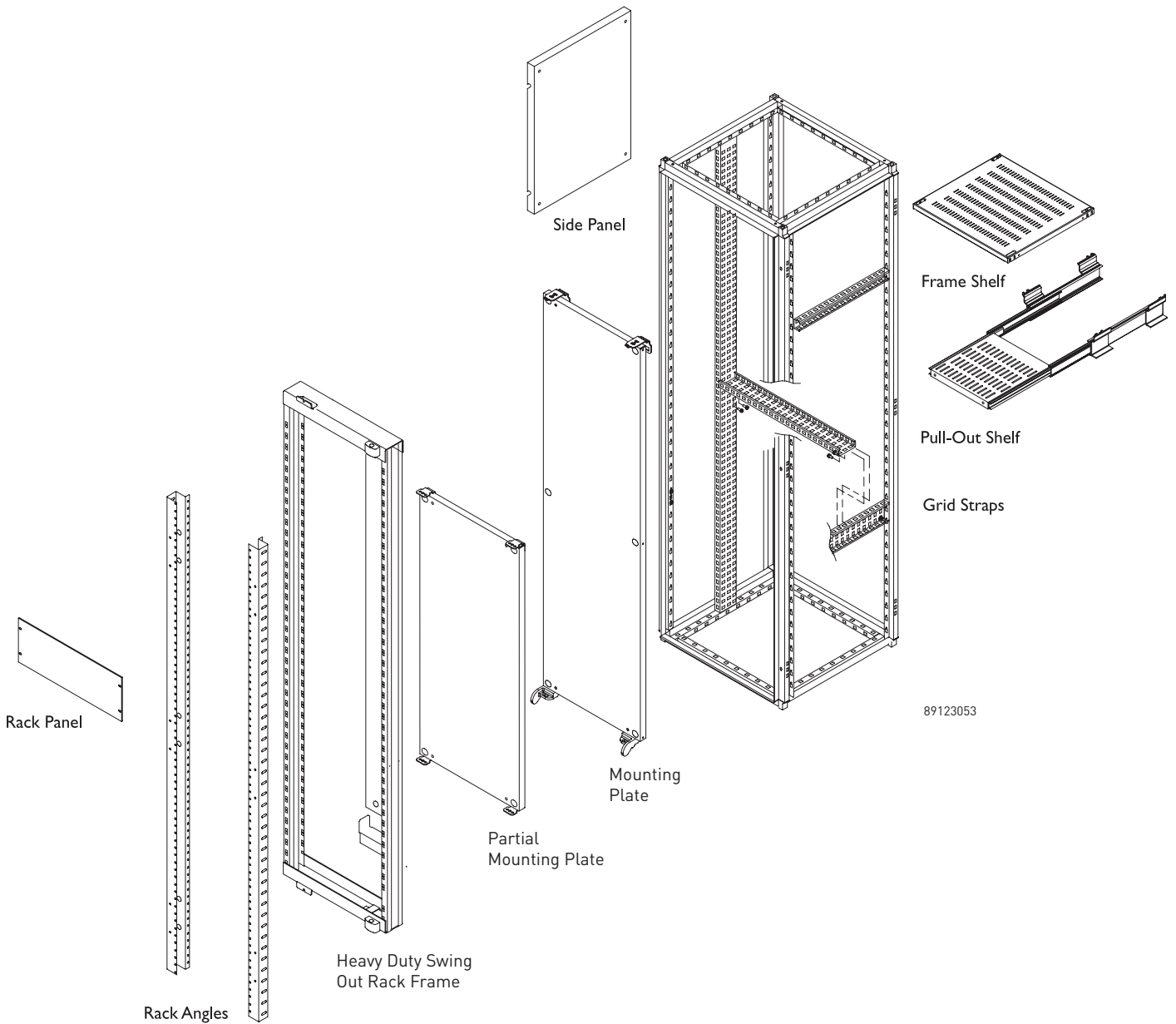
^c Grid system straps fits horizontally from front to back on frame top and bottom openings

^d Grid straps and transformer rails fit horizontally from right to left between grid straps or holes in frame

PROLINE Industrial Packages, Type 12

PROLINE INTERNAL COMPONENTS

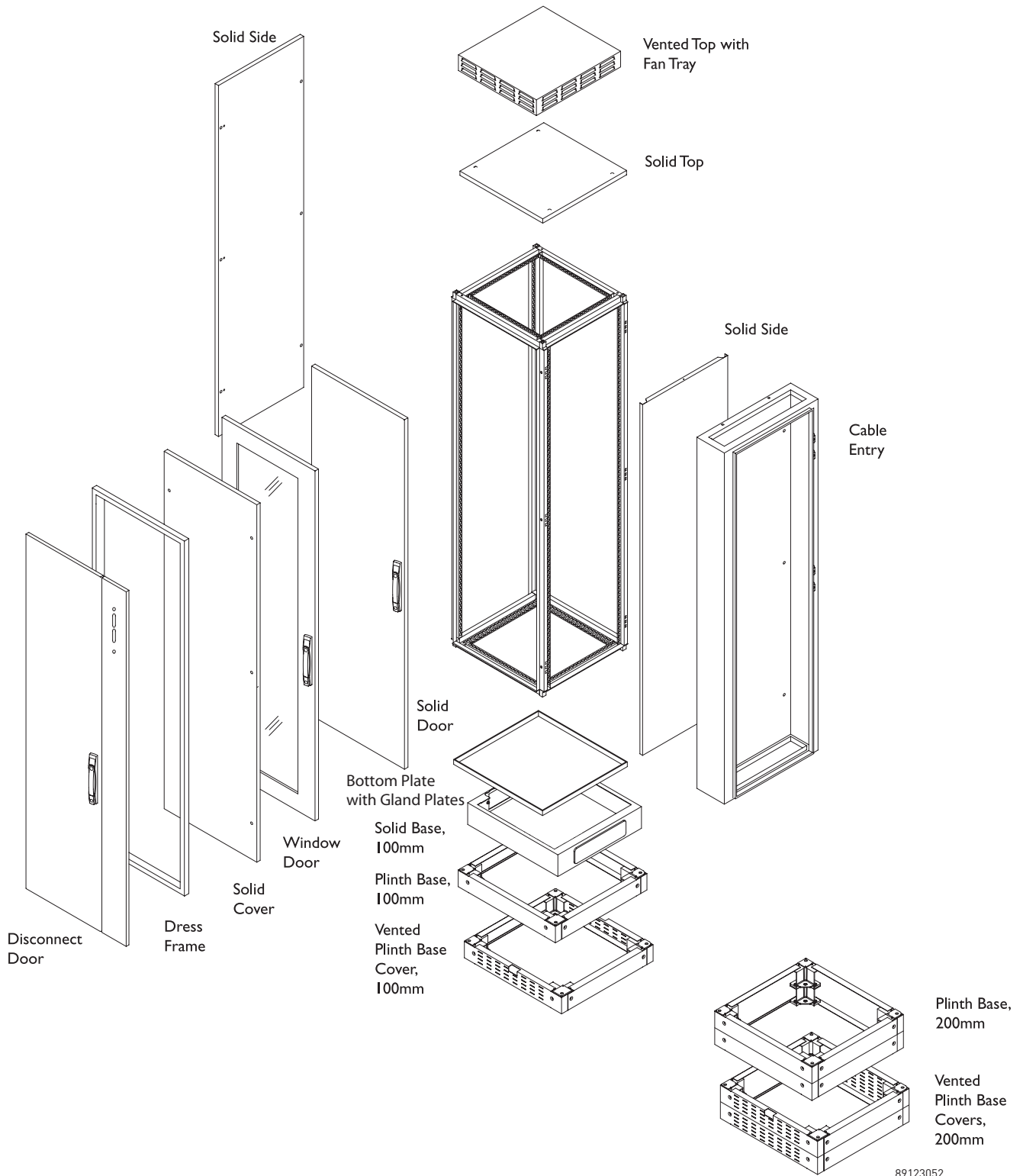
Select from a large variety of internal components to fit your industrial control panel and maintain the desired industry standard.



PROLINE Industrial Packages, Type 12

PROLINE EXTERNAL COMPONENTS

Choose the external components that fit your specific application.



PROLINE Frames and Frame Accessories

SINGLE-BAY FRAMES

FEATURES

PROLINE offers the broadest range of standard sizes in the industry.

SPECIFICATIONS

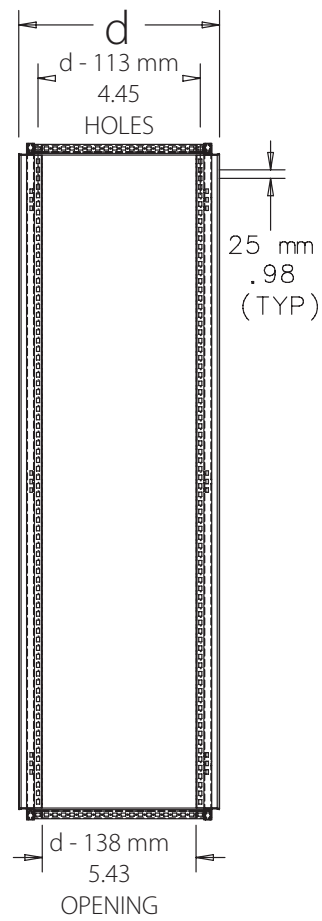
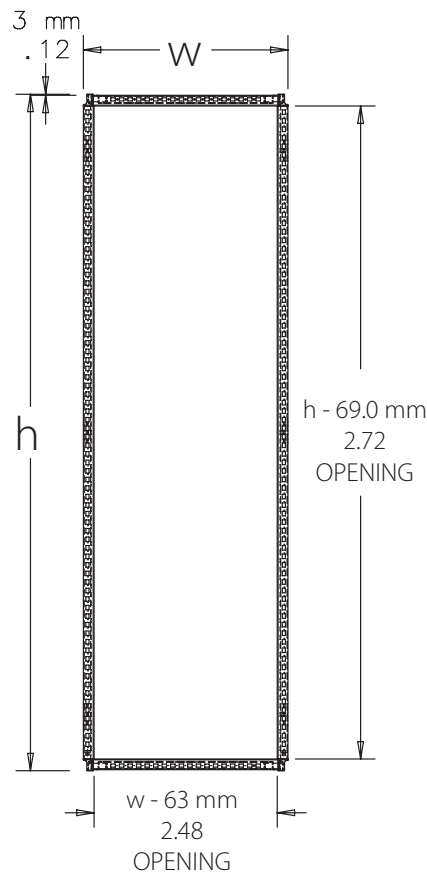
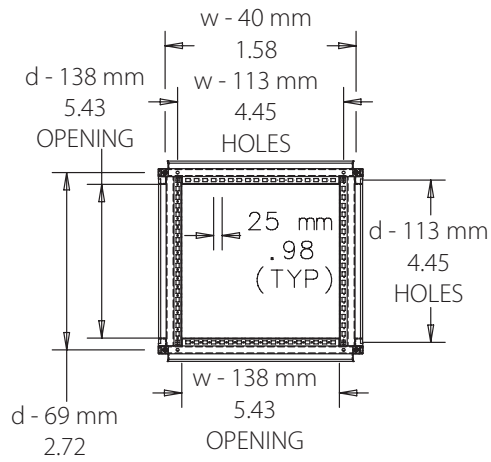
- Welded corners with steel corner blocks that add strength and rigidity
- 2,5 mm roll-formed frame sections for strength
- Flange on door and side openings deflect liquids away from the enclosure interior
- Rectangular frame holes are designed for metric cage nut fasteners
- Round frame holes allow numerous grounding locations using M5 thread-forming screws
- Access to both sides of frame mounting holes allows standard components to be easily installed
- Provisions for slide-in mounting plate, rack mounting and accessory mounting
- Simple means for joining frames to create multiple-bay enclosures
- An open roll-formed profile design affords complete surface corrosion protection and assembly access
- Sealed mounting for all external accessories
- Finished with RAL 7035 textured, gray polyester powder paint



STANDARD PRODUCT

Item number	Size H x W x D [mm]	Nominal Size H x W x D [mm]	Maximum Mounting Plate Size [mm]	Maximum Rack Mounting Space
PF1465	1380 x 599 x 488	1400 x 600 x 500	1285 x 530	28U
PF1466	1380 x 599 x 588	1400 x 600 x 600	1285 x 530	28U
PF1468	1380 x 599 x 788	1400 x 600 x 800	1285 x 530	28U
PF1485	1380 x 799 x 488	1400 x 800 x 500	1285 x 530	28U
PF1665	1580 x 599 x 488	1600 x 600 x 500	1485 x 530	33U
PF1666	1580 x 599 x 588	1600 x 600 x 600	1485 x 530	33U
PF1668	1580 x 599 x 788	1600 x 600 x 800	1485 x 530	33U
PF1685	1580 x 799 x 488	1600 x 800 x 500	1485 x 730	33U
PF1686	1580 x 799 x 588	1600 x 800 x 600	1485 x 730	33U
PF1845	1780 x 399 x 488	1800 x 400 x 500	1685 x 330	38U
PF1846	1780 x 399 x 588	1800 x 400 x 600	1685 x 330	38U
PF1864	1780 x 599 x 388	1800 x 600 x 400	1685 x 530	38U
PF1865	1780 x 599 x 488	1800 x 600 x 500	1685 x 530	38U
PF1866	1780 x 599 x 588	1800 x 600 x 600	1685 x 530	38U
PF1868	1780 x 599 x 788	1800 x 600 x 800	1685 x 530	38U
PF1884	1780 x 799 x 388	1800 x 800 x 400	1685 x 730	38U
PF1885	1780 x 799 x 488	1800 x 800 x 500	1685 x 730	38U
PF1886	1780 x 799 x 588	1800 x 800 x 600	1685 x 730	38U
PF1888	1780 x 799 x 788	1800 x 800 x 800	1685 x 730	38U
PF18104	1780 x 999 x 388	1800 x 1000 x 400	1685 x 930	38U
PF18105	1780 x 999 x 488	1800 x 1000 x 500	1685 x 930	38U
PF18106	1780 x 999 x 588	1800 x 1000 x 600	1685 x 930	38U
PF18108	1780 x 999 x 788	1800 x 1000 x 800	1685 x 930	38U
PF2045	1980 x 399 x 488	2000 x 400 x 500	1885 x 530	42U
PF2046	1980 x 399 x 588	2000 x 400 x 600	1885 x 530	42U
PF2064	1980 x 599 x 388	2000 x 600 x 400	1885 x 530	42U
PF2065	1980 x 599 x 488	2000 x 600 x 500	1885 x 530	42U
PF2066	1980 x 599 x 588	2000 x 600 x 600	1885 x 530	42U
PF2068	1980 x 599 x 788	2000 x 600 x 800	1885 x 530	42U
PF2084	1980 x 799 x 388	2000 x 800 x 400	1885 x 730	42U
PF2085	1980 x 799 x 488	2000 x 800 x 500	1885 x 730	42U
PF2086	1980 x 799 x 588	2000 x 800 x 600	1885 x 730	42U
PF2088	1980 x 799 x 788	2000 x 800 x 800	1885 x 730	42U
PF20104	1980 x 999 x 388	2000 x 1000 x 400	1885 x 930	42U
PF20105	1980 x 999 x 488	2000 x 1000 x 500	1885 x 930	42U
PF20106	1980 x 999 x 588	2000 x 1000 x 600	1885 x 930	42U
PF20108	1980 x 999 x 788	2000 x 1000 x 800	1885 x 930	42U
PF2266	2180 x 599 x 588	2200 x 600 x 600	2085 x 530	47U
PF2268	2180 x 599 x 788	2200 x 600 x 800	2085 x 530	47U
PF2286	2180 x 799 x 588	2200 x 800 x 600	2085 x 730	47U
PF2288	2180 x 799 x 788	2200 x 800 x 800	2085 x 730	47U

PROLINE Frames and Frame Accessories



87414905

PROLINE Frames and Frame Accessories

SINGLE-BAY FRAMES SELECTION MATRIX

Item number	Frame size [mm]			Dress Frame ^a	Solid Side	Solid Cover ^a	Solid Door ^a	Window Door ^a	Overlapping Door ^b	Disconnect Door
	H	W	D							
PF1465	1400	600	500	-	PSS145	PCS146	PDS146	PDWG146E	-	-
PF1466	1400	600	600	PDF146	PSS146	PCS146	PDS146	PDWG146E	-	-
PF1468	1400	600	800	PDF146	PSS148	PCS146	PDS146	PDWG146E	-	-
PF1485	1400	800	500	-	PSS145	PCS148	PDS148	-	-	-
PF1665	1600	600	500	PDF166	PSS165	PCS166	PDS166	PDWG166E	-	PTDDC166
PF1666	1600	600	600	PDF166	PSS166	PCS166	PDS166	PDWG166E	-	PTDDC166
PF1668	1600	600	800	PDF166	PSS168	PCS166	PDS166	PDWG166E	-	PTDDC166
PF1685	1600	800	500	-	PSS165	PCS168	PDS168	PDWG168E	PTOD168	PTDDC168
PF1686	1600	800	600	-	PSS166	PCS168	PDS168	PDWG168E	PTOD168	PTDDC168
PF1845	1800	400	500	-	PSS185	PCS184	PDS184	-	-	-
PF1846	1800	400	600	-	PSS186	PCS184	PDS184	-	-	-
PF1864	1800	600	400	PDF186	PSS184	PCS186	PDS186	PDWG186E	-	PTDDC186
PF1865	1800	600	500	PDF186	PSS185	PCS186	PDS186	PDWG186E	-	PTDDC186
PF1866	1800	600	600	PDF186	PSS186	PCS186	PDS186	PDWG186E	-	PTDDC186
PF1868	1800	600	800	PDF186	PSS188	PCS186	PDS186	PDWG186E	-	PTDDC186
PF1884	1800	800	400	-	PSS184	PCS188	PDS188	PDWG188E	PTOD188	PTDDC188
PF1885	1800	800	500	-	PSS185	PCS188	PDS188	PDWG188E	PTOD188	PTDDC188
PF1886	1800	800	600	-	PSS186	PCS188	PDS188	PDWG188E	PTOD188	PTDDC188
PF1888	1800	800	800	-	PSS188	PCS188	PDS188	PDWG188E	PTOD188	PTDDC188
PF18104	1800	1000	400	-	PSS184	PCS1810	PDS1810	-	PTOD1810	PTDDC1810
PF18105	1800	1000	500	-	PSS185	PCS1810	PDS1810	-	PTOD1810	PTDDC1810
PF18106	1800	1000	600	-	PSS186	PCS1810	PDS1810	-	PTOD1810	PTDDC1810
PF18108	1800	1000	800	-	PSS188	PCS1810	PDS1810	-	PTOD1810	PTDDC1810
PF2045	2000	400	500	-	PSS205	PCS204	PDS204	-	-	-
PF2046	2000	400	600	-	PSS206	PCS204	PDS204	-	-	-
PF2064	2000	600	400	PDF206	PSS204	PCS206	PDS206	PDWG206E	-	PTDDC206
PF2065	2000	600	500	PDF206	PSS205	PCS206	PDS206	PDWG206E	-	PTDDC206
PF2066	2000	600	600	PDF206	PSS206	PCS206	PDS206	PDWG206E	-	PTDDC206
PF2068	2000	600	800	PDF206	PSS208	PCS206	PDS206	PDWG206E	-	PTDDC206
PF2084	2000	800	400	-	PSS204	PCS208	PDS208	PDWG208E	PTOD208	PTDDC208
PF2085	2000	800	500	-	PSS205	PCS208	PDS208	PDWG208E	PTOD208	PTDDC208
PF2086	2000	800	600	-	PSS206	PCS208	PDS208	PDWG208E	PTOD208	PTDDC208
PF2088	2000	800	800	-	PSS208	PCS208	PDS208	PDWG208E	PTOD208	PTDDC208
PF20104	2000	1000	400	-	PSS204	PCS2010	PDS2010	-	PTOD2010	PTDDC2010
PF20105	2000	1000	500	-	PSS205	PCS2010	PDS2010	-	PTOD2010	PTDDC2010
PF20106	2000	1000	600	-	PSS206	PCS2010	PDS2010	-	PTOD2010	PTDDC2010
PF20108	2000	1000	800	-	PSS208	PCS2010	PDS2010	-	PTOD2010	PTDDC2010
PF2266	2200	600	600	PDF226	PSS226	PCS226	PDS226	PDWG226E	-	-
PF2268	2200	600	800	PDF226	PSS228	PCS226	PDS226	PDWG226E	-	-
PF2286	2200	800	600	-	PSS226	PCS228	PDS228	PDWG226E	PTOD228	-
PF2288	2200	800	800	-	PSS228	PCS228	PDS228	PDWG226E	PTOD228	-

Dress frame/Solid Side/ Solid Cover, see page 24/29

Solid Door/Window Door/ Overlapping Door/ Disconnect Door, see page 30

^a Fits only back of double-bay, front and back of single-bay frame

^b Fits only front of double-bay, front and back of single-bay frame

PROLINE Frames and Frame Accessories

SINGLE-BAY FRAMES SELECTION MATRIX

Item number	Frame size [mm]			Solid Top	Vented Top	100-mm Solid Base	Bottom Plate with Gland Plates		100-mm Plinth Base	200-mm Plinth Base	100-mm Vented Plinth Base Covers	200-mm Vented Plinth Base Covers
	H	W	D				Solid	Vented				
PF1465	1400	600	500	PT65	PVT3F652	PB165	PGP65	PGPV65	PPB165	PPB265	PPBCV1600	PPBCV2600
PF1466	1400	600	600	PT66	PVT3F662	PB166	PGP66	PGPV66	PPB166	PPB266	PPBCV1600	PPBCV2600
PF1468	1400	600	800	PT68	PVT3F682	PB168	PGP68	PGPV68	PPB168	PPB268	PPBCV1600	PPBCV2600
PF1485	1400	800	500	PT85	PVT3F852	PB185	PGP85	PGPV85	PPB185	PPB285	PPBCV1800	PPBCV2800
PF1665	1600	600	500	PT65	PVT3F652	PB165	PGP65	PGPV65	PPB165	PPB265	PPBCV1600	PPBCV2600
PF1666	1600	600	600	PT66	PVT3F662	PB166	PGP66	PGPV66	PPB166	PPB266	PPBCV1600	PPBCV2600
PF1668	1600	600	800	PT68	PVT3F682	PB168	PGP68	PGPV68	PPB168	PPB268	PPBCV1600	PPBCV2600
PF1685	1600	800	500	PT85	PVT3F852	PB185	PGP85	PGPV85	PPB185	PPB285	PPBCV1800	PPBCV2800
PF1686	1600	800	600	PT86	PVT3F862	PB186	PGP86	PGPV86	PPB186	PPB286	PPBCV1800	PPBCV2800
PF1845	1800	400	500	PT45	-	PB145	PGP45	-	PPB145	PPB245	-	-
PF1846	1800	400	600	PT46	-	PB146	PGP46	-	PPB146	PPB246	-	-
PF1864	1800	600	400	PT64	PVT3F642	PB164	PGP64	-	PPB164	PPB264	PPBCV1600	PPBCV2600
PF1865	1800	600	500	PT65	PVT3F652	PB165	PGP65	PGPV65	PPB165	PPB265	PPBCV1600	PPBCV2600
PF1866	1800	600	600	PT66	PVT3F662	PB166	PGP66	PGPV66	PPB166	PPB266	PPBCV1600	PPBCV2600
PF1868	1800	600	800	PT68	PVT3F682	PB168	PGP68	PGPV68	PPB168	PPB268	PPBCV1600	PPBCV2600
PF1884	1800	800	400	PT84	PVT3F842	PB184	PGP84	-	PPB184	PPB284	PPBCV1800	PPBCV2800
PF1885	1800	800	500	PT85	PVT3F852	PB185	PGP85	PGPV85	PPB185	PPB285	PPBCV1800	PPBCV2800
PF1886	1800	800	600	PT86	PVT3F862	PB186	PGP86	PGPV86	PPB186	PPB286	PPBCV1800	PPBCV2800
PF1888	1800	800	800	PT88	PVT3F882	PB188	PGP88	PGPV88	PPB188	PPB288	PPBCV1800	PPBCV2800
PF18104	1800	1000	400	PT104	-	PB1104	PGP104	-	PPB1104	PPB2104	PPBCV11000	PPBCV21000
PF18105	1800	1000	500	PT105	-	PB1105	PGP105	-	PPB1105	PPB2105	PPBCV11000	PPBCV21000
PF18106	1800	1000	600	PT106	-	PB1106	PGP106	PGPV106	PPB1106	PPB2106	PPBCV11000	PPBCV21000
PF18108	1800	1000	800	PT108	-	PB1108	PGP108	PGPV108	PPB1108	PPB2108	PPBCV11000	PPBCV21000
PF2045	2000	400	500	PT45	-	PB145	PGP45	-	PPB145	PPB245	-	-
PF2046	2000	400	600	PT46	-	PB146	PGP46	-	PPB146	PPB246	-	-
PF2064	2000	600	400	PT64	PVT3F642	PB164	PGP64	-	PPB164	PPB264	PPBCV1600	PPBCV2600
PF2065	2000	600	500	PT65	PVT3F652	PB165	PGP65	PGPV65	PPB165	PPB265	PPBCV1600	PPBCV2600
PF2066	2000	600	600	PT66	PVT3F662	PB166	PGP66	PGPV66	PPB166	PPB266	PPBCV1600	PPBCV2600
PF2068	2000	600	800	PT68	PVT3F682	PB168	PGP68	PGPV68	PPB168	PPB268	PPBCV1600	PPBCV2600
PF2084	2000	800	400	PT84	PVT3F842	PB184	PGP84	-	PPB184	PPB284	PPBCV1800	PPBCV2800
PF2085	2000	800	500	PT85	PVT3F852	PB185	PGP85	PGPV85	PPB185	PPB285	PPBCV1800	PPBCV2800
PF2086	2000	800	600	PT86	PVT3F862	PB186	PGP86	PGPV86	PPB186	PPB286	PPBCV1800	PPBCV2800
PF2088	2000	800	800	PT88	PVT3F882	PB188	PGP88	PGPV88	PPB188	PPB288	PPBCV1800	PPBCV2800
PF20104	2000	1000	400	PT104	-	PB1104	PGP104	-	PPB1104	PPB2104	PPBCV11000	PPBCV21000
PF20105	2000	1000	500	PT105	-	PB1105	PGP105	-	PPB1105	PPB2105	PPBCV11000	PPBCV21000
PF20106	2000	1000	600	PT106	-	PB1106	PGP106	PGPV106	PPB1106	PPB2106	PPBCV11000	PPBCV21000
PF20108	2000	1000	800	PT108	-	PB1108	PGP108	PGPV108	PPB1108	PPB2108	PPBCV11000	PPBCV21000
PF2266	2200	600	600	PT66	PVT3F662	PB166	PGP66	PGPV66	PPB166	PPB266	PPBCV1600	PPBCV2600
PF2268	2200	600	800	PT68	PVT3F682	PB168	PGP68	PGPV68	PPB168	PPB268	PPBCV1600	PPBCV2600
PF2286	2200	800	600	PT86	PVT3F862	PB186	PGP86	PGPV86	PPB186	PPB286	PPBCV1800	PPBCV2800
PF2288	2200	800	800	PT88	PVT3F882	PB188	PGP88	PGPV88	PPB188	PPB288	PPBCV1800	PPBCV2800

Solid Top/Vented Top, see page 38/39

Solid Base/ Bottom Plate with Gland Plates, see page 40/41

Plinth Base/ Vented Plinth Base Covers, see page 42

PROLINE Frames and Frame Accessories

DOUBLE-BAY FRAMES

FEATURES

PROLINE offers the broadest range of standard sizes in the industry.

SPECIFICATIONS

- Welded corners with steel corner blocks that add strength and rigidity
- 2,5 mm roll-formed frame sections for strength
- Flange on door and side openings deflects liquids away from the enclosure interior
- Rectangular frame holes are designed for metric cage nut fasteners
- Round frame holes allow numerous grounding locations using M5 thread-forming screws
- Access to both sides of frame mounting holes allows standard components to be easily installed
- Provisions for slide-in subpanel, rack mounting and accessory mounting
- Simple means for joining frames to create multiple-bay enclosures
- An open roll-formed profile design affords complete surface corrosion protection and assembly access

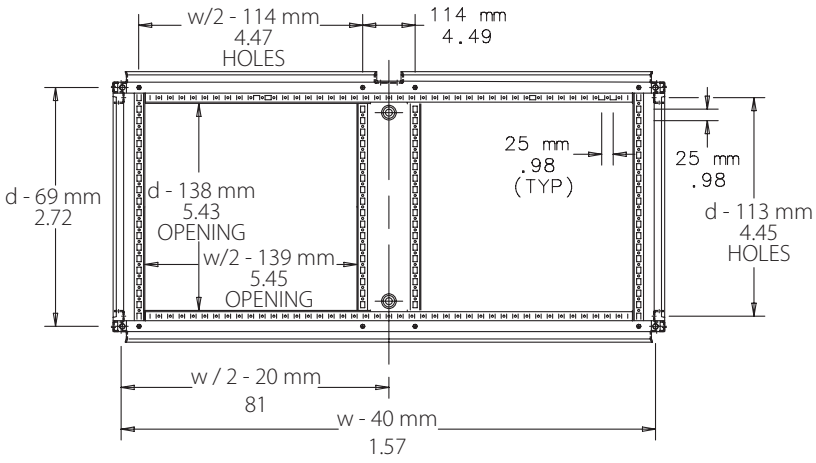


- Sealed mounting for all external accessories
- Center post on rear bottom and top, for more strength
- Sealed mounting for all external accessories
- Rear cover possible to mount on the back, rear door possible only as modification.
- Finished with RAL 7035 textured, gray polyester powder paint

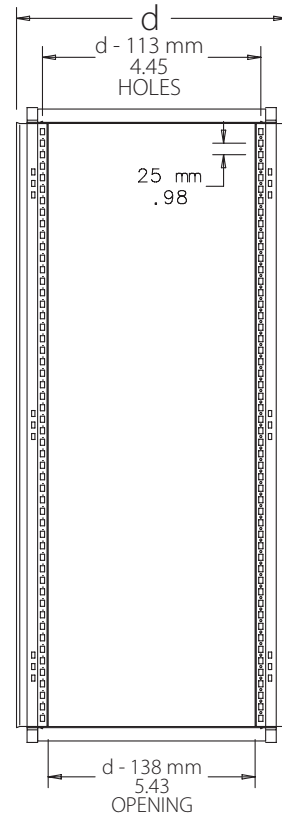
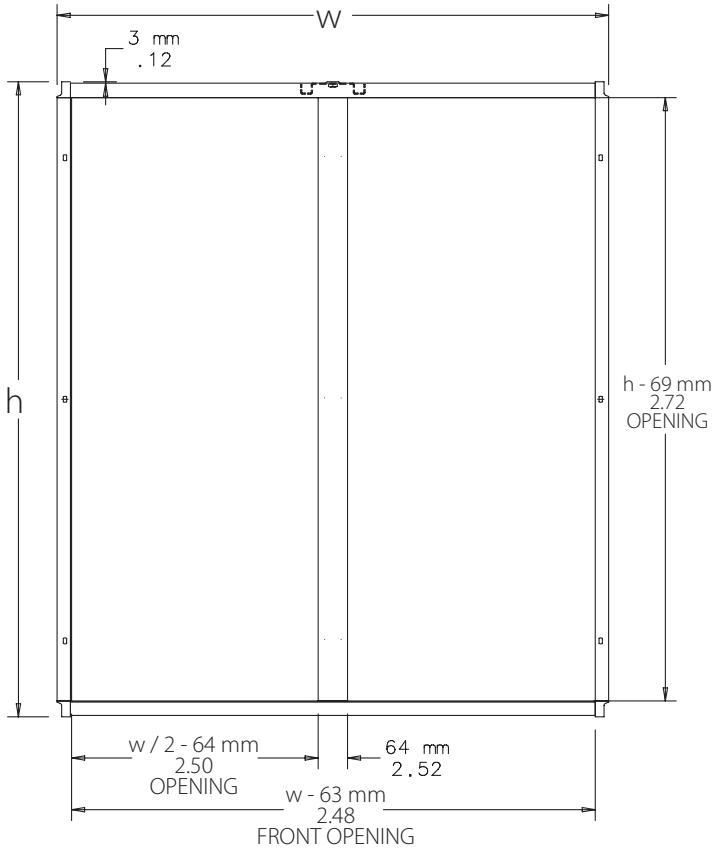
STANDARD PRODUCT

Item number	Size H x W x d [mm]	Nominal Size H x W x D [mm]	Maximum Mounting Plate Size [mm]	Maximum Rack Mounting Space
PF14125	1380 x 1199 x 488	1400 x 1200 x 500	1285 x 1130	28U x 2
PF16125	1580 x 1199 x 488	1600 x 1200 x 500	1485 x 1130	33U x 2
PF18124	1780 x 1199 x 388	1800 x 1200 x 400	1685 x 1130	38U x 2
PF18125	1780 x 1199 x 488	1800 x 1200 x 500	1685 x 1130	38U x 2
PF18126	1780 x 1199 x 588	1800 x 1200 x 600	1685 x 1130	38U x 2
PF18128	1780 x 1199 x 788	1800 x 1200 x 800	1685 x 1130	38U x 2
PF20124	1980 x 1199 x 388	2000 x 1200 x 400	1885 x 1130	42U x 2
PF20125	1980 x 1199 x 488	2000 x 1200 x 500	1885 x 1130	42U x 2
PF20126	1980 x 1199 x 588	2000 x 1200 x 600	1885 x 1130	42U x 2
PF20128	1980 x 1199 x 788	2000 x 1200 x 800	1885 x 1130	42U x 2
PF22125	2180 x 1199 x 488	2200 x 1200 x 500	2085 x 1130	47U x 2
PF22126	2180 x 1199 x 588	2200 x 1200 x 600	2085 x 1130	47U x 2
PF22128	2180 x 1199 x 788	2200 x 1200 x 800	2085 x 1130	47U x 2

PROLINE Frames and Frame Accessories



NOTE:
1. Includes frame and frame nuts (12) to attach exterior components



87414907

PROLINE Frames and Frame Accessories

DOUBLE-BAY FRAMES SELECTION MATRIX

Item number	Frame size [mm]			Dress Frame ^a	Solid Side	Solid Cover ^a	Solid Door ^a	Window Door ^a	Overlapping Door ^b	Disconnect Door
	H	W	D							
PF14125	1400	1200	500	2xPDF146	PSS145	2xPCS186	2xPDS146	2xPDWG146E	PTOD1412	-
PF16125	1600	1200	500	2xPDF166	PSS165	2xPCS186	2xPDS166	2xPDWG166E	PTOD1612	-
PF18124	1800	1200	400	2xPDF186	PSS184	2xPCS186	2xPDS186	2xPDWG186E	PTOD1812	-
PF18125	1800	1200	500	2xPDF186	PSS185	2xPCS186	2xPDS186	2xPDWG186E	PTOD1812	-
PF18126	1800	1200	600	2xPDF186	PSS186	2xPCS186	2xPDS186	2xPDWG186E	PTOD1812	-
PF18128	1800	1200	800	2xPDF186	PSS188	2xPCS186	2xPDS186	2xPDWG186E	PTOD1812	-
PF20124	2000	1200	400	2xPDF206	PSS204	2xPCS186	2xPDS186	2xPDWG186E	PTOD2012	-
PF20125	2000	1200	500	2xPDF206	PSS205	2xPCS206	2xPDS206	2xPDWG206E	PTOD2012	-
PF20126	2000	1200	600	2xPDF206	PSS206	2xPCS206	2xPDS206	2xPDWG206E	PTOD2012	-
PF20128	2000	1200	800	2xPDF206	PSS208	2xPCS206	2xPDS206	2xPDWG206E	PTOD2012	-
PF22125	2200	1200	500	2xPDF226	PSS225	2xPCS226	2xPDS226	2xPDWG226E	PTOD2212	-
PF22126	2200	1200	600	2xPDF226	PSS226	2xPCS226	2xPDS226	2xPDWG226E	PTOD2212	-
PF22128	2200	1200	800	2xPDF226	PSS228	2xPCS226	2xPDS226	2xPDWG226E	PTOD2212	-

Dress frame/Solid Side/ Solid Cover, see page 24/29

Solid Door/ Window Door/ Overlapping Door/ Disconnect Door, see page 30/32

^a Fits only back of double-bay, front and back of single-bay frame

^b Fits only front of double-bay, front and back of single-bay frame

PROLINE Frames and Frame Accessories

DOUBLE-BAY FRAMES SELECTION MATRIX

Item number	Frame size [mm]			Solid Top		100-mm Solid Base	Gland Plates		100-mm Plinth Base	200-mm Plinth Base	100-mm Vented Plinth Base Covers	200-mm Vented Plinth Base Covers
	H	W	D	Solid Top	Vented Top		Solid	Vented				
PF14125	1400	1200	500	PT125	-	PB1125	PGP125	PGPV125	PPB1125	PPB2125	PPBCV11200	PPBCV21200
PF16125	1600	1200	500	PT125	-	PB1125	PGP125	PGPV125	PPB1125	PPB2125	PPBCV11200	PPBCV21200
PF18124	1800	1200	400	PT124	-	PB1124	PGP124	-	PPB1124	PPB2124	PPBCV11200	PPBCV21200
PF18125	1800	1200	500	PT125	-	PB1125	PGP125	PGPV125	PPB1125	PPB2125	PPBCV11200	PPBCV21200
PF18126	1800	1200	600	PT126	-	PB1126	PGP126	PGPV126	PPB1126	PPB2126	PPBCV11200	PPBCV21200
PF18128	1800	1200	800	PT128	-	PB1128	PGP128	PGPV128	PPB1128	PPB2128	PPBCV11200	PPBCV21200
PF20124	2000	1200	400	PT124	-	PB1124	PGP124	-	PPB1124	PPB2124	PPBCV11200	PPBCV21200
PF20125	2000	1200	500	PT125	-	PB1125	PGP125	PGPV125	PPB1125	PPB2125	PPBCV11200	PPBCV21200
PF20126	2000	1200	600	PT126	-	PB1126	PGP126	PGPV126	PPB1126	PPB2126	PPBCV11200	PPBCV21200
PF20128	2000	1200	800	PT128	-	PB1128	PGP128	PGPV128	PPB1128	PPB2128	PPBCV11200	PPBCV21200
PF22125	2200	1200	500	PT125	-	PB1125	PGP125	PGPV125	PPB1125	PPB2125	PPBCV11200	PPBCV21200
PF22126	2200	1200	600	PT126	-	PB1126	PGP126	PGPV126	PPB1126	PPB2126	PPBCV11200	PPBCV21200
PF22128	2200	1200	800	PT128	-	PB1128	PGP128	PGPV128	PPB1128	PPB2128	PPBCV11200	PPBCV21200

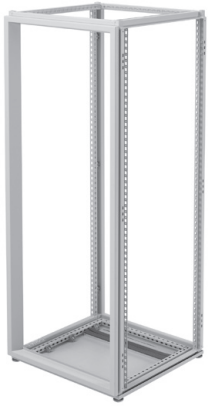
Solid Top/Vented Top, see page 38/39

Solid Base/ Bottom Plate with Gland Plates, see page 40/41

Plinth Base/ Vented Plinth Base Covers, see page 42

PROLINE Frames and Frame Accessories

DRESS FRAME



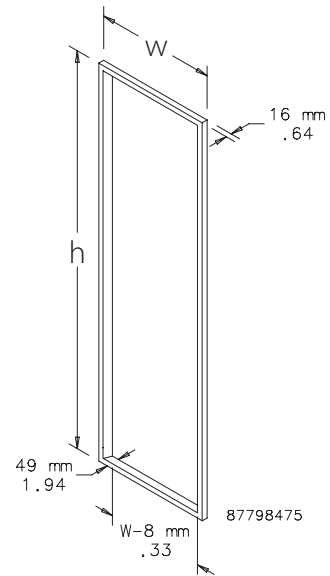
A Dress Frame provides a decorative trim when a front door or cover is not used.

The dress frame can be installed:

- For single bay frame on the front or rear
- For double bay frame only on the rear.

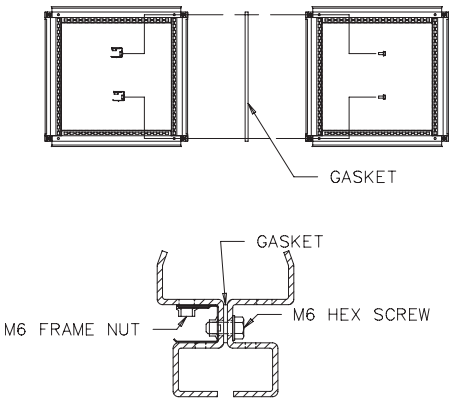
The painted steel dress frame, finished with RAL 7035 textured, light-gray polyester powder paint, is provided with a snap-in design for easy installation with no tools required.

Item number	Nominal Frame Size H x W [mm]	h [mm]	w [mm]
PDF146	1400 x 600	1339	591
PDF166	1600 x 600	1539	591
PDF186	1800 x 600	1739	591
PDF206	2000 x 600	1939	591
PDF226	2200 x 600	2139	591



PROLINE Frames and Frame Accessories

FRAME JOINING KITS



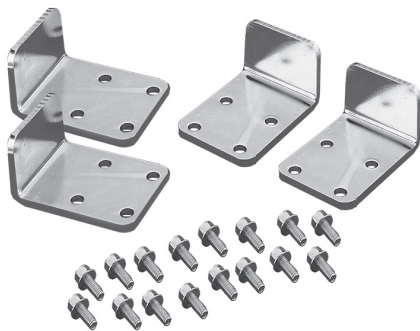
Frame Nut Detail (6 places)

87798468

Standard Frame Joining Kit permits joining two enclosure frames while maintaining an environmental seal. The kit consists of six frame nuts and screws, as well as gasket material to maintain a dust-tight and water-tight seal between ganged frames. Can be used if rack angles are not in the front or rearmost positions, or if a mounting plate is not in the rearmost position.

Item number	Description
PJ2F	Standard Frame Joining, Side-to-Side
PJ2FBF	Standard Frame Joining, Front-to-Back

L JOINING BRACKET



The L Joining Bracket, made of 3,0 mm steel, is used in conjunction with the standard joining kit as additional support. Pictured hardware is included.

Item number	Description
PJB2F	L Joining Bracket

PROLINE Frames and Frame Accessories

LIFTING EYES



Lifting Eyes are used for lifting PROLINE modular frames and for fastening PROLINE top accessories to the frame. Lifting eyes thread into corner blocks in a frame. Furnished in sets of four with plated finish.

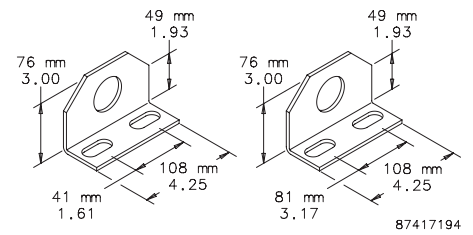
Item number	Description
PLEM12	(4) Lifting Eyes

LIFTING ANGLES

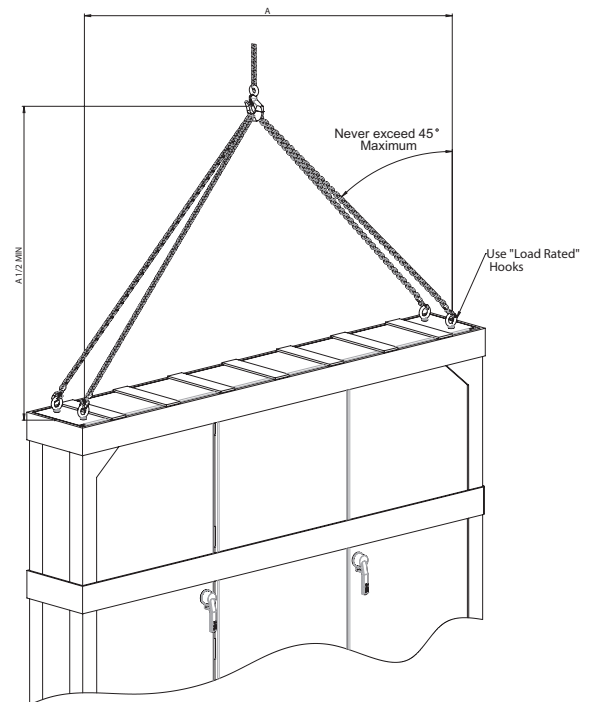


Used to provide best load distribution while lifting enclosures with up to 450 kg of equipment and cabling in each bay. Angles mount to top of enclosure frame corner blocks and do not require removal of top cover for installation. Kit consists of two angles and four bolts and washers. Angles are clear zinc-coated 7,0 mm steel.

Item number	Description
PJLBFB	Front-to-back lifting angles
PJLBSS	Side-to-side lifting angles



Lifting Eyes and Lifting Angles are designed for overhead lifting in conjunction with shackles and a spreader bar. Use of shackles instead of hooks is preferred. The angle between the top of the enclosure and the cable or chain must be at least 45 degrees. Use only slings and spreader bars that are designed for the specific application and are in compliance with regulations established by OSHA, ASME, ISA, ASTM and other governing agencies.

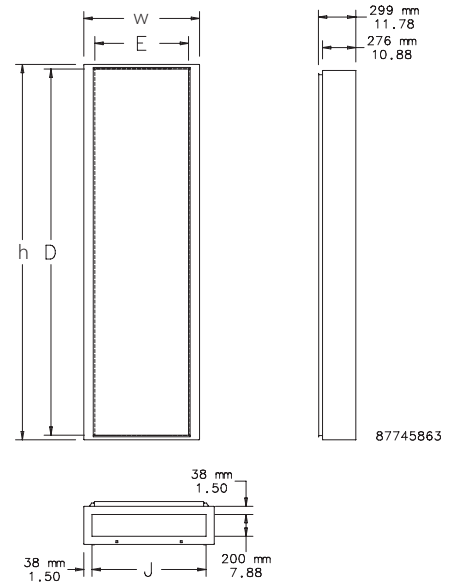


PROLINE Frames and Frame Accessories

CABLE ENTRY CABINETS



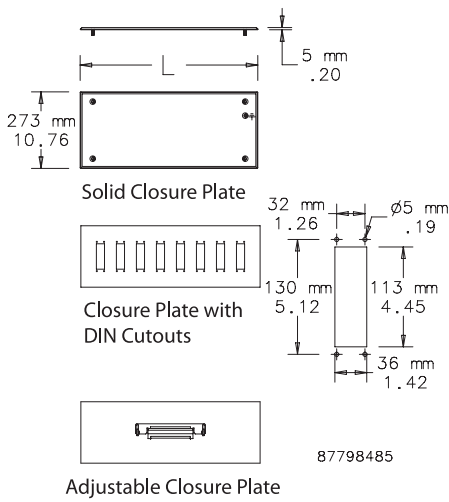
Cable Entry Cabinets are made from 2,0 mm steel and finished in RAL 7035 textured light-gray polyester powder paint. They facilitate cable entry into the sides of enclosures. Open top and bottom of cabinet provide cable access and a means for managing cable. Closure plates, available as optional accessories, seal the open ends of the cabinet. Front opening of cabinet can be closed with screw-on solid cover. Cabinets have foam-in-place gasket and optional accessories to maintain enclosure environmental integrity.



Item number	H x W [mm]	Fits Frame	D mm	E mm	J mm
PCE165300	1539 x 500	1600 tall x 500 deep	1518	415	424
PCE166300	1539 x 600	1600 tall x 600 deep	1518	515	524
PCE168300	1539 x 800	1600 tall x 800 deep	1518	715	724
PCE186300	1739 x 600	1800 tall x 600 deep	1718	515	524
PCE188300	1739 x 800	1800 tall x 800 deep	1718	715	724
PCE205300	1939 x 500	2000 tall x 500 deep	1918	415	424
PCE206300	1939 x 600	2000 tall x 600 deep	1918	515	524
PCE208300	1939 x 800	2000 tall x 800 deep	1918	715	724
PCE225300	2139 x 500	2200 tall x 500 deep	2118	415	424
PCE228300	2139 x 800	2200 tall x 500 deep	2118	715	724

PROLINE Frames and Frame Accessories

CLOSURE PLATES

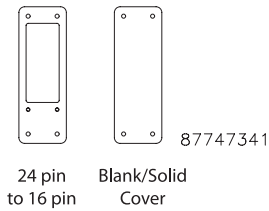


Closure Plates seal the ends of the cable entry cabinet. Made from 2,0 mm steel and finished with RAL 7035 textured gray polyester powder paint.

Item number	Description	L mm	Number of DIN Cutouts
PCECGP5	Solid-Fits 500-mm wide cable entry cabinets	497	—
PCECGP6	Solid-Fits 600-mm wide cable entry cabinets	597	—
PCECGP8	Solid-Fits 800-mm wide cable entry cabinets	797	—
PCECGPD5	With DIN cutouts-Fits 500-mm wide cable entry cabinets	497	5
PCECGPD8	With DIN cutouts-Fits 800-mm wide cable entry cabinets	797	8
PCEGPA6	Adjustable-Fits 600-mm wide cable entry cabinets	597	—
PCEGPA8	Adjustable-Fits 800-mm wide cable entry cabinets	797	—

CLOSURE PLATE ADAPTERS FOR CUTOUTS

Closure Plate Adapters



Adapters are used with closure plates containing cutouts. Made from 2,5 mm steel and finished with RAL 7035 textured gray polyester powder paint. Allows the option of adapting from 24-pin to 16-pin, 24-pin to 10-pin, 24-pin to 6-pin and 24-pin to no pins (blank).

Item number	Description	Adapter Qty./ Package
PAD240	From 24-pin to blank solid cover	1
PAD2416	From 24-pin to 16-pin	1
PAD2410	From 24-pin to 10-pin	1
PAD246	From 24-pin to 6-pin	1

Adapters fit all cable entry cabinets and barriers with 24-pin DIN connector cutouts.

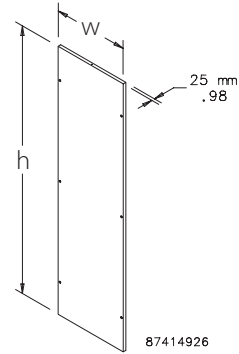
PROLINE External Components

SOLID SIDES



Solid Sides close the open sides of an enclosure frame and attach to the enclosure frame with semi-flush screws. Hangers are included for easy alignment of screws. Sides are painted with RAL 7035 textured, light-gray polyester powder paint and have two grounding studs and a foam-in-place gasket. Mounting hardware is included. Solid Sides are not suitable as barriers between joined enclosures. Package includes set of 2 side panels.

Item number	Thickness [mm]	Fits Frame WxD [mm]	H x W [mm]
PSS145	1,5	1400 x 500	1339 x 453
PSS146	1,5	1400 x 600	1339 x 553
PSS148	1,5	1400 x 800	1339 x 753
PSS165	1,5	1600 x 500	1539 x 453
PSS166	1,5	1600 x 600	1539 x 553
PSS168	1,5	1600 x 800	1539 x 753
PSS184	1,5	1800 x 400	1739 x 353
PSS185	1,5	1800 x 500	1739 x 453
PSS186	1,5	1800 x 600	1739 x 553
PSS188	1,5	1800 x 800	1739 x 753
PSS204	1,5	2000 x 400	1939 x 353
PSS205	1,5	2000 x 500	1939 x 453
PSS206	1,5	2000 x 600	1939 x 553
PSS208	1,5	2000 x 800	1939 x 753
PSS225	1,5	2200 x 500	2139 x 453
PSS226	1,5	2200 x 600	2139 x 553
PSS228	1,5	2200 x 800	2139 x 753



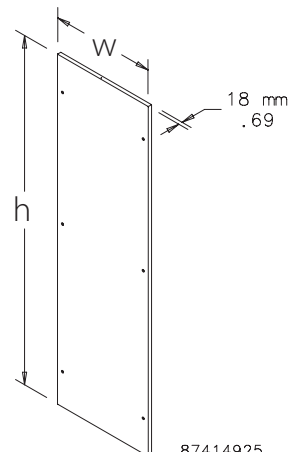
87414926

SOLID COVERS



Use a Solid Cover on the front or rear of the enclosure frame as a substitute for a single door (not overlap). Solid covers attach to the enclosure frame with semi-flush screws and include hangers for easy alignment of cover screws. Covers are painted RAL 7035 textured, light-gray polyester powder paint. They include a foam-in-place urethane gasket and two ground studs. Mounting hardware is included.

Item number	Thickness [mm]	Fits Frame H x W [mm]	H x W [mm]
PCS146	1,5	1400 x 600	1339 x 592
PCS148	1,5	1400 x 800	1339 x 792
PCS166	1,5	1600 x 600	1539 x 592
PCS168	1,5	1600 x 800	1539 x 792
PCS184	1,5	1800 x 400	1739 x 392
PCS186	1,5	1800 x 600	1739 x 592
PCS188	1,5	1800 x 800	1739 x 792
PCS1810	2,0	1800 x 1000	1739 x 992
PCS204	1,5	2000 x 400	1939 x 392
PCS206	1,5	2000 x 600	1939 x 592
PCS208	1,5	2000 x 800	1939 x 792
PCS2010	2,0	2000 x 1000	1939 x 992
PCS226	1,5	2200 x 600	2139 x 592
PCS228	1,5	2200 x 800	2139 x 792
PCS2210	2,0	2200 x 1000	2139 x 992



87414925

PROLINE External Components

SOLID DOORS



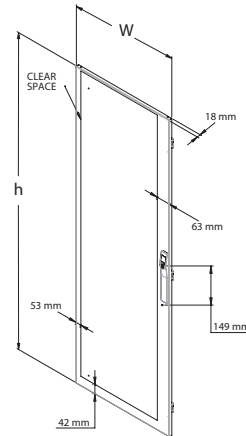
Steel doors are finished with RAL 7035 textured, light-gray polyester powder paint. A removable door bar system is included on doors.

Hinge side is reversible. A flush bezel latch PFBS operates the 3-point latching system.

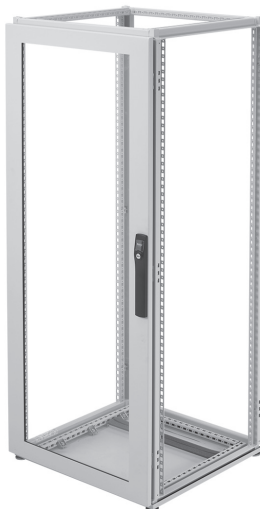
Hidden hinges (130-degree swing) permit attachment to the front or back of each enclosure frame. Hinges have easy-slide, retained hinge pins. Door gasket is foam-in-place polyurethane to provide a resilient, seamless seal.

Fits only back of double bay, front and back of single bay frame. Grounding studs are furnished. All mounting hardware is included.

Item number	Thickness [mm]	Fits Frame H x W [mm]	Door Size H x W [mm]
PDS146	1,5	1400 x 600	1339 x 592
PDS148	1,8	1400 x 800	1339 x 792
PDS166	1,5	1600 x 600	1539 x 592
PDS168	1,8	1600 x 800	1539 x 792
PDS184	1,5	1800 x 400	1739 x 392
PDS186	1,5	1800 x 600	1739 x 592
PDS188	1,8	1800 x 800	1739 x 792
PDS1810	2,0	1800 x 1000	1739 x 992
PDS204	1,5	2000 x 400	1939 x 392
PDS206	1,5	2000 x 600	1939 x 592
PDS208	1,8	2000 x 800	1939 x 792
PDS2010	2,0	2000 x 1000	1939 x 992
PDS226	1,5	2200 x 600	2139 x 592
PDS228	1,8	2200 x 800	2139 x 792
PDS2210	2,0	2200 x 1000	2139 x 992



WINDOW DOORS



Window doors can be used on the front or rear of PROLINE frames to provide viewing of electronic equipment.

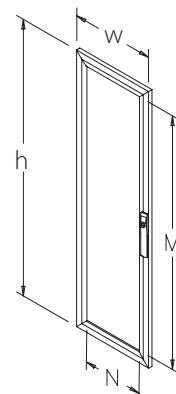
They have 130-degree hidden hinges and a flush bezel latch PFBS that operates a 3-point latching mechanism.

Doors have a clear safety glass window.

WINDOW DOORS:

- Install easily on front or rear of enclosure frame; can be hinged on left or right
- Have a 6 mm thick window that provides a maximum protection and viewing area
- Have foam-in-place, urethane gaskets for door and window to provide optimum sealing
- Fits only back of double bay, front and back of single bay frame

Item number	Fits Frame H x W [mm]	Door Size H x W [mm]	Window Size M x N [mm]
PDWG146E	1400 x 600	1339 x 591	1217 x 420
PDWG166E	1600 x 600	1539 x 591	1417 x 420
PDWG168E	1600 x 800	1539 x 791	1417 x 620
PDWG186E	1800 x 600	1739 x 591	1617 x 420
PDWG188E	1800 x 800	1739 x 791	1617 x 620
PDWG206E	2000 x 600	1939 x 591	1817 x 420
PDWG208E	2000 x 800	1939 x 791	1817 x 620
PDWG226E	2200 x 600	2139 x 591	2017 x 420
PDWG228E	2200 x 800	2139 x 791	2017 x 620



87414927

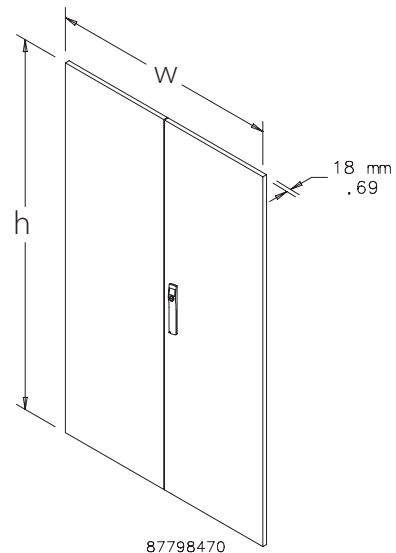
PROLINE External Components

OVERLAPPING DOORS



PROLINE Overlapping Doors provide a door system for the full-width, open front of 800, 1000, 1200 mm wide frames. The master door ensures a dust-tight seal using a 3-point roller latch system operated by a PROLINE flush swing handle PFKHBL. The overlapping master/adjacent door design allows unobstructed access. Removable door bar is included on each door. Master door is hinged on the right side. PTOD fits only front of the double bay frame, do not fit rear because of the centerpost. Steel doors are 1,8-2,0 mm thick and finished with RAL 7035 light-gray textured, polyester powder paint finish.

Item number	Thickness [mm]	Fits Frame H x W [mm]	H x W [mm]
PTOD1412	1,8	1400 x 1200	1339 x 1191
PTOD168	2,0	1600 x 800	1539 x 792
PTOD1612	1,8	1600 x 1200	1539 x 1191
PTOD188	2,0	1800 x 800	1739 x 792
PTOD1810	2,0	1800 x 1000	1739 x 992
PTOD1812	1,8	1800 x 1200	1739 x 1191
PTOD208	2,0	2000 x 800	1939 x 792
PTOD2010	2,0	2000 x 1000	1939 x 992
PTOD2012	1,8	2000 x 1200	1939 x 1191
PTOD228	2,0	2200 x 800	2139 x 792
PTOD2212	1,8	2200 x 1200	2139 x 1191



PROLINE External Components

DISCONNECT DOOR FOR PROLINE ENCLOSURES



Disconnect Doors provide a means to mount flange-mount disconnects to PROLINE Enclosures. Hinged mullion provides unobstructed access to interior, thus easing equipment installation.

Disconnect mullion is hinged to provide easy disconnect installation and maximum access to subpanel. Removable door bar is included on disconnect door. A flush handle with DIN, PFHDBL operates an internal 3-point latch system on disconnect door and latches to the disconnect mullion.

Interlocking is provided from master door to disconnect mullion. The disconnect mullion and disconnect door include 140-degree hinges and are gasketed to maintain enclosure integrity. Steel doors are 2,0 mm thick and painted with RAL 7035 light-gray textured polyester powder.

PROLINE enclosures that have preferred cutout disconnect doors, right- or left-hand provision will accept the following types of flange-mounted disconnect devices:

Allen-Bradley

- Bulletin 1494V disconnect switches with flange-mounted variable-depth operating mechanisms and Bulletin 1494V flange-mounted variable-depth operating mechanisms for circuit breakers
- Bulletin 140U flexible cable operating mechanisms for 140U molded case circuit breakers

Abb Controls

- Disconnect switches up to (and including) 200 amp; also operators for ABB circuit breakers up to 800 amp

Eaton Cutler-Hammer

- Variable depth disconnect switches up to (and including) 200 amp, also operators for C-H Westinghouse circuit breakers up to 600 amp; also, FLEX SHAFT handle mechanisms for circuit breakers

General Electric

- Type TDA variable depth mechanisms for disconnect switches up to (and including) 200 amp, also operator mechanisms or SPECTRA FLEX cable operator for circuit breakers up to 600 amp

STANDARD PRODUCT

Item number	Fits Frame H x W [mm]	H x W [mm]	V [mm]	Z [mm]	Cutout Provision
PTDDC166	1600 x 600	1539 x 594	221	269	Preferred right-hand
PTDDC168	1600 x 800	1539 x 794	221	269	Preferred right-hand
PTDDC186	1800 x 600	1739 x 594	321	369	Preferred right-hand
PTDDC188	1800 x 800	1739 x 794	321	369	Preferred right-hand
PTDDC1810	1800 x 1000	1739 x 994	321	369	Preferred right-hand
PTDDC206	2000 x 600	1939 x 594	421	469	Preferred right-hand
PTDDC208	2000 x 800	1939 x 794	421	469	Preferred right-hand
PTDDC2010	2000 x 1000	1939 x 994	421	469	Preferred right-hand

Siemens ITE

MAX-FLEX flange-mounted variable depth operating handle for disconnect switches and circuit breakers as well as some fixed depth operators for disconnect switches

Schneider Square D

Class 9422 disconnect switches up to (and including) 200 amp, with variable depth or cable mechanisms for 30, 60 or 100 amp; also circuit breakers with variable depth operators or cable mechanisms up to 400 amp

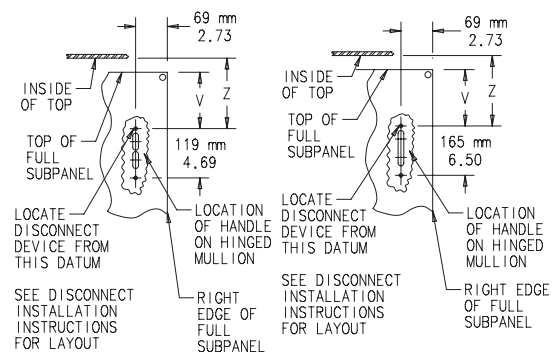
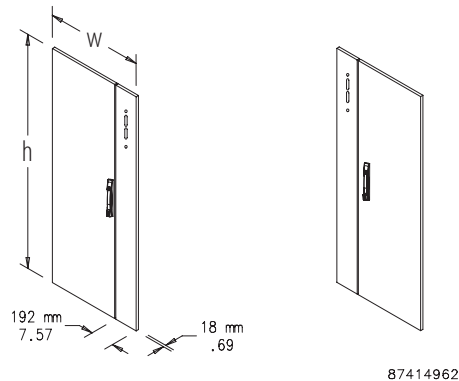
PROLINE enclosures with disconnect doors that have a large cutout provision will accept the following types of flange-mounted disconnect devices:

Allen-Bradley

1494V-H2 handle used with 400 amp or 600 amp Allen-Bradley disconnect switches

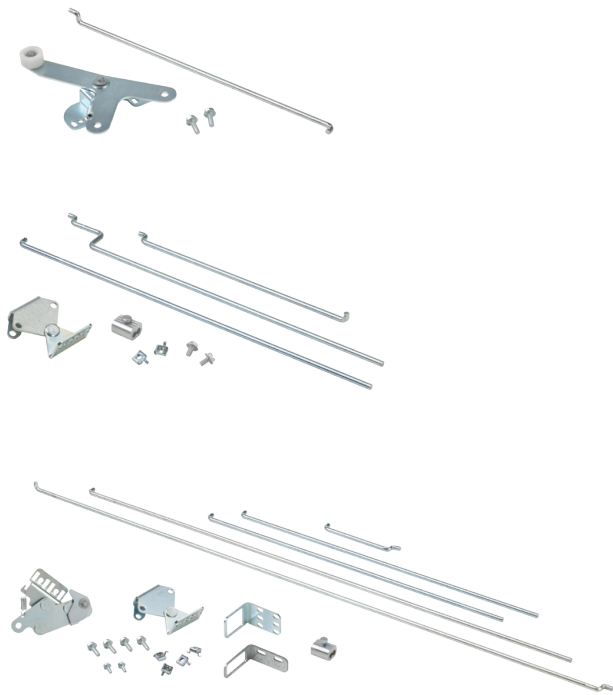
Siemens ITE

MAX-FLEX FHOHN handle used with MD 800 amp, ND (1200 amp), PD (1600 amp) and RD (2000 amp)



PROLINE External Components

MECHANICAL INTERLOCK



MECHANICAL INTERLOCK

The PROLINE Mechanical Interlock can be actuated by any PROLINE solid or disconnect door in a multiple-bay enclosure system. Up to ten doors, including window doors, can be interlocked.

The interlock device engages the PROLINE door at the center to provide maximum security. The master door can be positioned in any location. Only after the master door is opened can slave doors be opened. The interlock system is modular and easy to assemble; no drilling or layout work is required to install. Brackets, rods and fasteners are heavy gauge steel. Meets interlocking requirements established by General Motors, Ford and Chrysler.

FRONT-TO-BACK INTERLOCK

The Front-to-Back Interlock is used to interlock the rear doors of an enclosure in conjunction with a Master Door Actuator Kit and a Slave Door Kit. When the Master Door Actuator Kit on the front of the enclosure is activated (by a solid or disconnect master door) and the Front-to-Back Kit linkage is in place, the pivot bracket is pulled, which activates the Slave Door Kit to interlock the back doors of the enclosure with the front doors.

Item number	Description
PMLMAK	Master Door Activator Kit
PMLSK	Door Slave Kit
PMLEK	Extension Kit
PMLFB	Front-to-Back Kit

For item number PMLMAK, order 1 for master door.

For item number PMLSK, order 1 for each slave door (will accommodate single door, window door and overlapping door).

PROLINE External Components

ELECTRICAL INTERLOCK



INDUSTRY STANDARDS

UL Components Recognized
CSA Certified

APPLICATIONS:

Provide positive internal safety. When energized, these interlocks prevent the door handle from being turned to open the door.

SPECIFICATIONS:

Rugged steel construction and plated finish. Solenoids are rated for continuous duty and will stand up under heavy industrial use. Packaged complete with a solenoid assembly, mounting bracket and instructions for field installation.

Fit either clockwise or counterclockwise handles
Door handles and latching mechanisms are not included.

INSTALLATION

Interlock mounts on bracket attached to door bar on inside of enclosure door.

STANDARD PRODUCT

Item number	Amps @ 220 V/50 Hz Normal/ Inrush	Amps @ 440 V/50 Hz Normal/ Inrush
PEK230NDH	.060/.35	
PEK460NDH		.30/.18

PROLINE External Components

FLUSH SWING HANDLES



Flush Handles are optional for any solid, window or disconnect door that includes 3-point latching. They are ergonomically designed to provide style and function in a low profile. The handle is die-cast zinc finished with RAL 9005 textured black polyester powder paint. Provision to add your logo is included. Handle can be installed to rotate either clockwise or counterclockwise.

HANDLE WITH KEYLOCK

Keylock feature locks the handle to provide security for the enclosure. When the key is in the unlocked position, the pushbutton releases the handle to provide access to the enclosure. Two keys are furnished.

HANDLE FOR PADLOCK

Padlocking Handle provides security when using up to a 7,94 mm padlock. Pushbutton releases the handle to provide access to the enclosure.

HANDLE WITH DIN PROFILE PROVISION

DIN Flush Handle is provided with the option to add your DIN profile lock or to accept HOFFMAN DIN profile lock PDKL (order separately).

Item number	Description
PFHKBL	Keylocking Flush Handle
PFHPBL	Padlocking Flush Handle
PFHDBL	DIN Profile Flush Handle

FLUSH BEZEL



Can be used on any solid, window or disconnect door when a low-profile, tool-to-open operating mechanism is needed. Bezel is RAL 9005 textured black plastic. Provision to add your logo is included. Flush bezels are provided with 3 mm double bit insert. Other key inserts are available to fit the flush bezel (order separately).

Item number	Description
PFBS	Flush Bezel with 3-mm double-bit insert

DIN LOCK INSERTS



The DIN profile keylock provides keylocking security for the Flush Swing Handle with DIN provision. Includes profile lock semi cylinder (30/10 mm) and two keys. Order one profile lock for each handle.

Item number	Description
PDKL	DIN keylock, 2 keys included, key code 333

KEY INSERTS



Key Inserts are used with Flush Bezel. Optional for any solid, window and disconnect door. Key Inserts are zinc die-cast.

A matching key is included.

Item number	Description
PKOTM7	7 mm triangle
PKOTM8	8 mm triangle
PKOTM65	CNOMO
PKOSM7	7 mm square
PKOSM8	8 mm square
PKOGBK3	Double-bit with 3 mm pin

PROLINE External Components

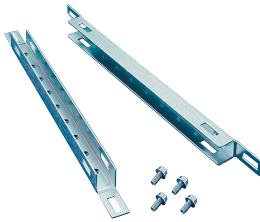
PADLOCK KIT



The kit adds a padlocking capability to the Flush Swing Handles. Field modification of the flush handle is required. Includes a stainless steel locking post that will accommodate up to 7,94 mm. padlock shackle.

Item number	Description
PFHPK	Padlock Kit

DOOR BAR GRID STRAP



Straps mount to the door bar. Used to mount accessories to the door. Constructed of 1,5 mm steel with plated finish. Holds up to 50kg.

Package includes set of two door bar grid straps.

Item number	Description
PGH1S6D	Fits 600 mm wide door
PGH1S8D	Fits 800 mm wide door
PGH1S10D	Fits 1000 mm wide door

180-DEGREE HINGE KIT



Optional hinging for solid, window or disconnect doors. The 180-degree hinges provide a door opening up to 260-degrees on single-bay enclosures. These hinges mount to the door flange and have a low-profile appearance. The kit includes three hinges with textured black polyester powder paint and all necessary mounting hardware.

Item number	Description
PH180	180-Degree Hinge Kit

DOOR STOP KIT



The Door Stop Kit holds doors open at 130 degrees. The kit includes a slotted bracket that mounts to either the top or bottom of the door and a stop arm that attaches to the frame. The Door Stop Kit is plated, mounts without drilling and includes all necessary mounting hardware. Not suitable for use with 180-degree hinging. Drill points in window door brackets for mounting Door Stop Kit.

Item number	Description
PDSK	Door Stop Kit

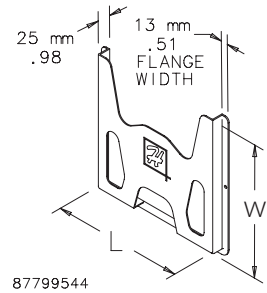
PROLINE External Components

THERMOPLASTIC DATA POCKET



Provides a convenient place to store wiring diagrams, operation manuals and other documentation inside the enclosure. Adhesive-backed pockets mount inside the solid enclosure cover. Mounting hardware included. Thermoplastic pockets are dark gray and have cut-away areas for easy inspection of contents.

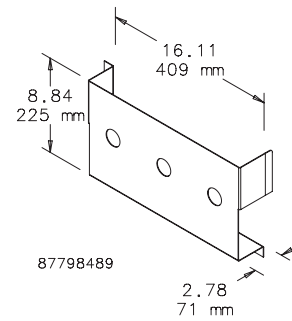
Item number	Description	Size L x w [mm]
ADP1	Small pocket	152 x 152
ADP2	Large pocket	305 x 305



STEEL DATA POCKET

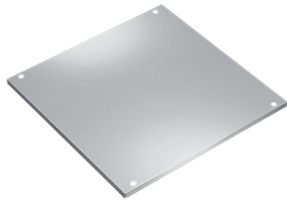
Steel Data Pocket fastens to the bottom of the door. Finish is RAL 7035 textured, light-gray polyester powder paint. Door Bar Grid Straps (purchased separately) must be used to change the vertical mounting position of the Data Pocket.

Item number	Description
PDP1	Single size fits all door widths

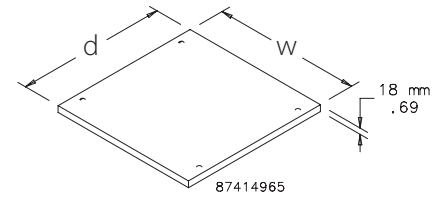


PROLINE External Components

SOLID TOPS



Solid Tops are used to close the top opening on an enclosure frame. Steel Tops are finished with RAL 7035 textured light gray. Tops are made of 1,5 mm steel.



Item number	Frame Type	Fits Frame W x D [mm]	w [mm]	d [mm]
PT45	Single-Bay	400 x 500	392	499
PT46	Single-Bay	400 x 600	392	599
PT64	Single-Bay	600 x 400	592	399
PT65	Single-Bay	600 x 500	592	499
PT66	Single-Bay	600 x 600	592	599
PT68	Single-Bay	600 x 800	592	799
PT84	Single-Bay	800 x 400	792	399
PT85	Single-Bay	800 x 500	792	499
PT86	Single-Bay	800 x 600	792	599
PT88	Single-Bay	800 x 800	792	799
PT89	Single-Bay	800 x 900	792	799
PT104	Single-Bay	1000 x 400	992	399
PT105	Single-Bay	1000 x 500	992	499
PT106	Single-Bay	1000 x 600	992	599
PT108	Single-Bay	1000 x 800	992	799
PT124	Double-Bay	1200 x 400	1192	399
PT125	Double-Bay	1200 x 500	1192	499
PT126	Double-Bay	1200 x 600	1192	599
PT128	Double-Bay	1200 x 800	1192	799

PROLINE External Components

VENTED TOP WITH INTEGRAL FAN TRAY



INDUSTRY STANDARDS

UL Component Recognized; Type 1; File No. E61997
 This component is rated UL Type 1. Installing this component on an enclosure brings the enclosure rating to UL Type 1.

This component is rated UL Type 1. Installing this component on an enclosure brings the enclosure rating to UL Type 1.

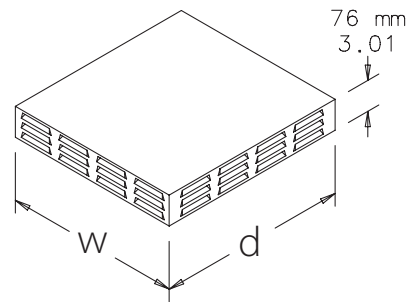
NEMA/EEMAC Type 1
 IEC 60529, IP20

Vented Top with Integral Fan Tray provides a cooling/ventilation solution for electronic and networking applications. An integral fan tray with three pre-wired and mounted fans provides up to 340-510 m³/h of exhaust.

The deeper vented tops (500 through 800 mm deep) have integral fan trays with cutouts for mounting additional fans (see Additional Fan). Accessory fan kits (consisting of three pre-wired fans) can be installed to provide additional airflow. Unused fan

positions are provided with covers to prevent short-circuiting of airflow. Since the fan pulls air through the enclosure to cool equipment, an optional Inlet Vent must be ordered separately. Vented tops are 1,4 mm thick steel and finished with RAL 7035 light-gray textured polyester powder paint.

The vented top is designed to be used in place of a standard top. Bolts are provided to secure vented top to frame. The enclosure can be lifted with a vented top installed (requires accessory lifting eyes).



87414966

STANDARD PRODUCT

Item number	Fits Frame W x D [mm]	w [mm]	d [mm]	Voltage
PVT3F642	600 x 400	591	393	230
PVT3F652	600 x 500	591	493	230
PVT3F662	600 x 600	591	593	230
PVT3F682	600 x 800	591	793	230
PVT3F842	800 x 400	791	393	230
PVT3F852	800 x 500	791	493	230
PVT3F862	800 x 600	791	593	230
PVT3F882	800 x 800	791	793	230

ADDITIONAL FAN

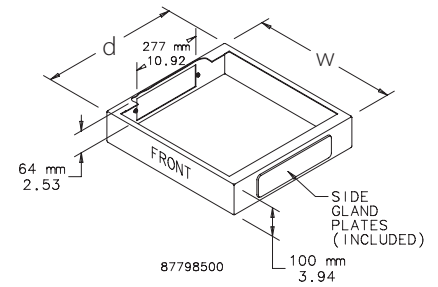
Item number	Voltage	Description
PVT3F2	230 VAC	3-fan kit

PROLINE External Components

100 MM SOLID BASE



The 100 mm base is finished with RAL 9005 textured, black polyester powder paint. It is one piece welded body for better sealing. One side gland plate is included.

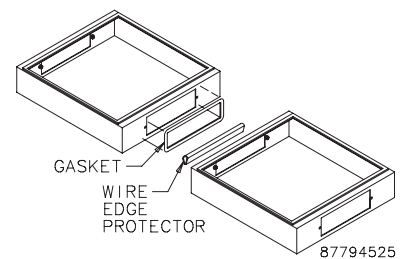


Item number	Thickness [mm]	Fits Frame W x D [mm]	w [mm]	d [mm]
PB145	1.5	400 x 500	399	459
PB146	1.5	400 x 600	399	559
PB164	1.5	600 x 400	599	359
PB165	1.5	600 x 500	599	459
PB166	1.5	600 x 600	599	559
PB168	1.5	600 x 800	599	759
PB184	1.5	800 x 400	799	359
PB185	1.5	800 x 500	799	459
PB186	1.5	800 x 600	799	559
PB188	2,0	800 x 800	799	759
PB1104	1.5	1000 x 400	999	359
PB1105	1.5	1000 x 500	999	459
PB1106	1.5	1000 x 600	999	559
PB1108	2,0	1000 x 800	999	759
PB1124	1.5	1200 x 400	1199	359
PB1125	1.5	1200 x 500	1199	459
PB1126	1.5	1200 x 600	1199	559
PB1128	2,0	1200 x 800	1199	759

100 MM SOLID BASE JOINING, SIDE-TO-SIDE

Joining provides a seal between the gland plate openings on adjacent 100 mm solid bases and is used in combination with either of the Side-to-Side Frame Joining Kits. A nylon wire edge protector (see drawing) prevents wear and abrasion of wires and cables.

Item number	Description
PJ2FB	Solid Base Joining, 100 mm Solid Bases, side-to-side

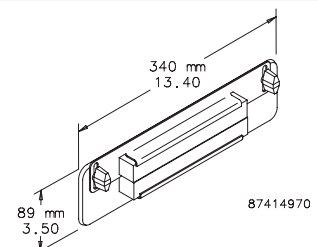


CABLE ENTRY GLAND PLATE



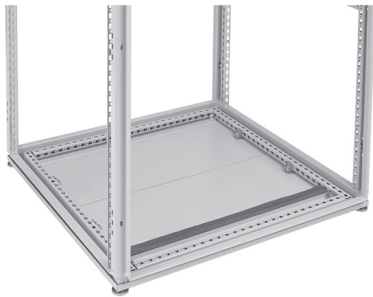
Fits all standard PROLINE 100 mm Solid Base gland openings. Can be used in place of standard solid gland plates furnished with 100 mm Solid Base. Adjustable opening for cable entry is foam-lined to maintain a dust-tight seal. Cable Entry Plate is 2,0 mm steel and finished with RAL 9005 textured, black polyester powder paint.

Item number
PCEGP



PROLINE External Components

BOTTOM PLATE WITH GLAND PLATES



Bottom plate set consists of: bottom plate 1,5 mm painted RAL7035 textured with foam in place gasket; 3 pieces 1,5 mm galvanized gland plates with adhesive foam gaskets; all installation hardware.

The Gland Plate is an accessory to 100 mm Solid Base, 100 mm/ 200 mm Plinth Base.

These gland plates can be used without a base if casters, levelers or frame feet are installed.

Width 1200 mm has double amount of gland plates.

The Gland Plates can be used with all PROLINE mounting plates or rack angles. The gland plates consist of a base mounting surface and two adjustable foam-gasketed plates that permit cable entry. The plates can be rotated 180 degrees for front or rear cable entry.

STANDARD PRODUCT FOR SINGLE-BAY FRAMES

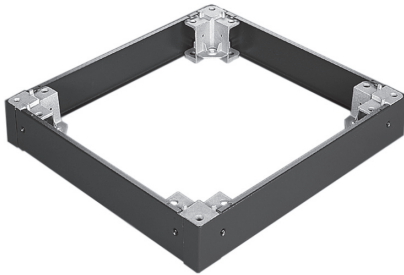
Item number	Type	Fits Frame Width [mm]	Fits Frame Depth [mm]
PGP45	Solid	400	500
PGP46	Solid	400	600
PGP64	Solid	600	400
PGP65	Solid	600	500
PGPV65	Vented	600	500
PGP66	Solid	600	600
PGPV66	Vented	600	600
PGP68	Solid	600	800
PGPV68	Vented	600	800
PGP84	Solid	800	400
PGP85	Solid	800	500
PGPV85	Vented	800	500
PGP86	Solid	800	600
PGPV86	Vented	800	600
PGP88	Solid	800	800
PGPV88	Vented	800	800
PGP104	Solid	1000	400
PGP105	Solid	1000	500
PGP106	Solid	1000	600
PGPV106	Vented	1000	600
PGP108	Solid	1000	800
PGPV108	Vented	1000	800

STANDARD PRODUCT FOR DOUBLE-BAY FRAMES

Item number	Type	Fits Frame Width [mm]	Fits Frame Depth [mm]
PGP124	Solid	1200	400
PGP125	Solid	1200	500
PGPV125	Vented	1200	500
PGP126	Solid	1200	600
PGPV126	Vented	1200	600
PGP128	Solid	1200	800
PGPV128	Vented	1200	800

PROLINE External Components

100 MM PLINTH BASE

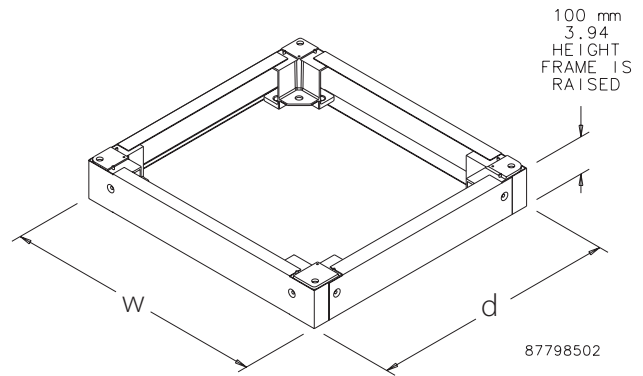


Plinth Bases install under an enclosure to provide space for cables to enter from below. A Plinth Base consists of four corner supports connected to four access panels.

The corner supports are cast aluminum. The access panels are 2,0 mm steel and attach to the corner supports with screws.

Plinth Bases are finished with RAL 9005 black textured, polyester powder paint and include all necessary mounting hardware.

Item number	Fits Frame W x D [mm]	w [mm]	d [mm]
PPB145	400 x 500	399	459
PPB146	400 x 600	399	559
PPB164	600 x 400	599	359
PPB165	600 x 500	599	459
PPB166	600 x 600	599	559
PPB168	600 x 800	599	759
PPB184	800 x 400	799	359
PPB185	800 x 500	799	459
PPB186	800 x 600	799	559
PPB188	800 x 800	799	759
PPB1104	1000 x 400	999	359
PPB1105	1000 x 500	999	459
PPB1106	1000 x 600	999	559
PPB1108	1000 x 800	999	759
PPB1124	1200 x 400	1199	359
PPB1125	1200 x 500	1199	459
PPB1126	1200 x 600	1199	559
PPB1128	1200 x 800	1199	759



200 MM PLINTH BASE

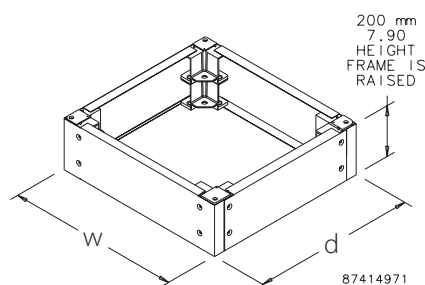


Plinth Bases install under an enclosure to provide space for cables to enter from below. A Plinth Base consists of eight corner supports connected to four access panels.

The corner supports are cast aluminum. The access panels are 2,0 mm steel and attach to the corner supports with screws.

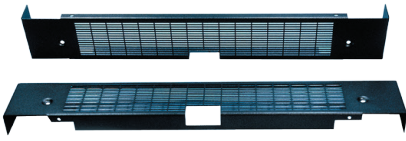
Plinth Bases are finished with RAL 9005 black textured, polyester powder paint and include all necessary mounting hardware.

Item number	Fits Frame W x D [mm]	w [mm]	d [mm]
PPB245	400 x 500	399	459
PPB246	400 x 600	399	559
PPB264	600 x 400	599	359
PPB265	600 x 500	599	459
PPB266	600 x 600	599	559
PPB268	600 x 800	599	759
PPB284	800 x 400	799	359
PPB285	800 x 500	799	459
PPB286	800 x 600	799	559
PPB288	800 x 800	799	759
PPB2104	1000 x 400	999	359
PPB2105	1000 x 500	999	459
PPB2106	1000 x 600	999	559
PPB2108	1000 x 800	999	759
PPB2124	1200 x 400	1199	359
PPB2125	1200 x 500	1199	459
PPB2126	1200 x 600	1199	559
PPB2128	1200 x 800	1199	759



PROLINE External Components

VENTED PLINTH BASE COVERS

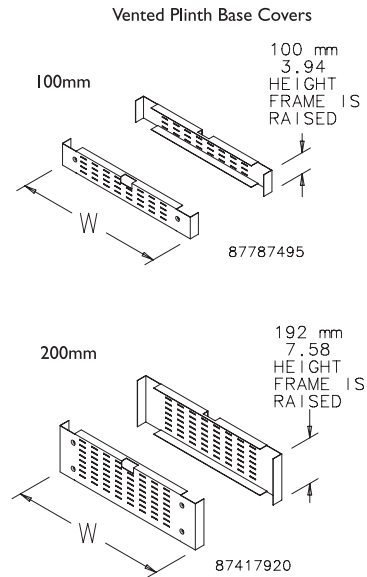


Vented Plinth Base Covers install in the front and rear openings of a standard plinth base in place of Solid Covers. Vented covers allow air to circulate into the enclosure. Vented Plinth Base Covers are available in 100 mm and 200 mm heights. These covers are finished with RAL 9005 black polyester powder paint and include all necessary mounting hardware.

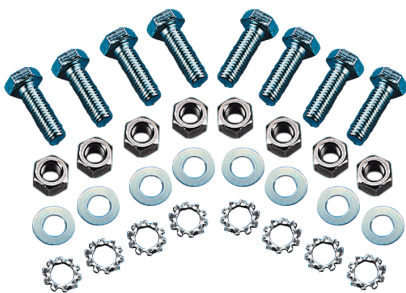
A standard plinth base must be ordered in combination with Vented Plinth Base covers to form a Vented Plinth Base. If using a gland plate with the Vented Plinth Base, order a vented gland plate to provide air circulation through the bottom of the enclosure.

200 mm Plinth Bases require two sets of covers.

Item number	Height [mm]	Fits Frame Type	Fits Frame Width [mm]	w [mm]
PPBCV1600	100	Single-Bay	600	599
PPBCV1800	100	Single-Bay	800	799
PPBCV11000	100	Single-Bay	1000	999
PPBCV11200	100	Double-Bay	1200	1199
PPBCV2600	200	Single-Bay	600	599
PPBCV2800	200	Single-Bay	800	799
PPBCV21000	200	Single-Bay	1000	999
PPBCV21200	200	Double-Bay	1200	1199



PLINTH BASE STACKING KIT

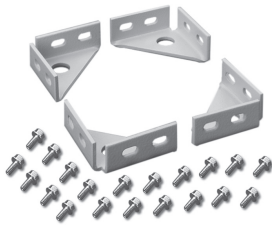


Plinth bases are stackable with a maximum recommendation of 400 mm high. Kit consists of eight bolts and nuts and eight each of two types of washers used to join plinth bases.

Item number	Description
PPBSK	Plinth Base Stacking Kit

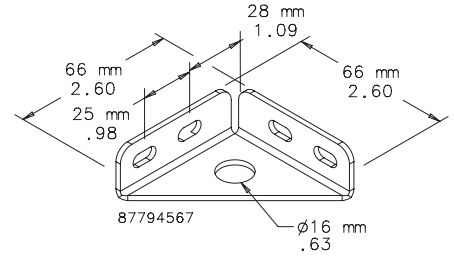
PROLINE External Components

PROLINE FRAME FLOOR-MOUNTING BRACKET



Provides a structural method of bolting a PROLINE frame to the floor. Fits all frame sizes. Made of 2,5 mm steel with plated finish. Kit includes four brackets and mounting hardware.

Item number	Description
PFBK	PROLINE Frame Floor-Mounting Bracket

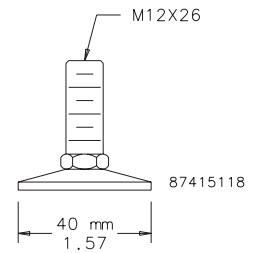


LEVELERS



Four post-type levelers allow adjustment for uneven floors. Levelers can be attached to the bottom of a frame or to a 0 mm solid base. Levelers are plated and the leveler base is capped with plastic to provide resistance to marring. Adjustable for 17 mm to 35 mm height. Ball and socket construction. Four levelers will support a maximum of 450 kg.

Item number	Description
PLM12	Post-type Levelers

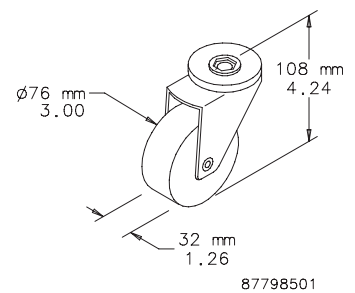


CASTER KIT



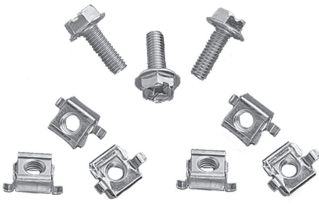
A set of four casters (two locking, two non-locking) that mount directly to the bottom of a PROLINE frame, 100 mm Solid Base. **(Do not use on plinth bases.)** Casters elevate the enclosure 110 mm when installed. Caster frames are plated steel with ball-bearing pivots. Caster wheels are made of a black polyamide material. Kit includes M12 mounting hardware. A set of four casters supports a maximum load of 450 kg.

Item number	Description
PC1M12	Set of 4 Casters



PROLINE External Components

PROLINE FASTENER PACKAGES



Use to fasten components to the grid system. PGF Packages include 20 front-loading clip nuts (M6) and 20 combination-drive washer-head bolts (M6).

Grounding Package is used with the rectangular holes in the PROLINE frame to provide electrical continuity between the frame and the grid system. ASM5T Package is used with PROLINE frames having round holes. Package includes 20 M5 self-tapping screws.

Item number	Description	Use in	Pkg. Qty.
ASM5T	M5 x 12 mm thread-forming Phillips hex head screws	Round holes	20
PGFM6	Standard Package - M6 cage nuts and bolts	Rectangular holes	20
PGFGM6	Grounding Package - M6 grounding cage nuts and bolts	Tapped holes	20

CAGE NUT PACKAGE

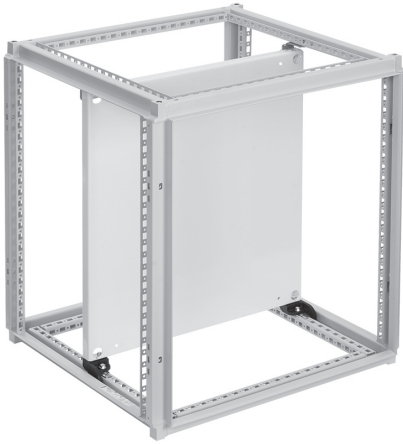


Cage Nut Packages are for use with square-hole rack angles. Cage nuts are plated steel.

Item number	Color	Description	Pkg. Qty.
PM6CN	Silver	M6 cage nut	20

PROLINE Internal Components

MOUNTING PLATE



PROLINE Mounting Plates are designed to provide maximum panel depth, panel size and ease of installation. Mounting Plates slide into the frame on nylon glide blocks, which support the entire weight of the mounting plate.

- All necessary mounting hardware is included
- Conductive mounting plates are unpainted galvanized steel
- Mounting plates can be mounted at nearly any depth in 25 mm increments
- Mounting hardware attaches to the top of the frame

Item number	h [mm]	w [mm]	Fits Frame Size H x W [mm]
PPF146G	1285	530	1400 x 600
PPF148G	1285	730	1400 x 800
PPF1412G	1285	1130	1400 x 1200
PPF166G	1485	530	1600 x 600
PPF168G	1485	730	1600 x 800
PPF1612G	1485	1130	1600 x 1200
PPF184G	1685	330	1800 x 400
PPF186G	1685	530	1800 x 600
PPF188G	1685	730	1800 x 800
PPF1810G	1685	930	1800 x 1000
PPF1812G	1685	1130	1800 x 1200
PPF204G	1885	330	2000 x 400
PPF206G	1885	530	2000 x 600
PPF208G	1885	730	2000 x 800
PPF2010G	1885	930	2000 x 1000
PPF2012G	1885	1130	2000 x 1200
PPF226G	2085	530	2200 x 600
PPF228G	2085	730	2200 x 800
PPF2212G	2085	1130	2200 x 1200

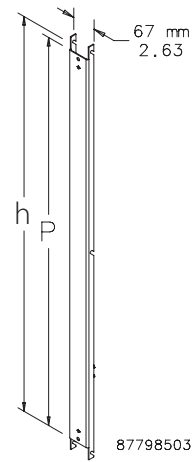
PROLINE Internal Components

JOINING MOUNTING PLATE



Provides a continuous panel surface in multiple-bay enclosures. The joining mounting plate is inserted between mounting plate of equal height. It can be installed from front or rear. Holes for grounding and mounting hardware are provided. Conductive mounting plates are unpainted galvanized steel.

Item number	h [mm]	P [mm]	Fits Between Full Subpanels
PJP14G	1285	1248	PPF146, PPF148, PPF1412
PJP16G	1485	1448	PPF166, PPF167, PPF168, PPF1612
PJP18G	1685	1648	PPF186, PPF187, PPF188, PPF1810, PPF1812, PPF1816
PJP20G	1885	1848	PPF206, PPF207, PPF208, PPF2010, PPF2012, PPF2016
PJP22G	2085	2048	PPF226, PPF227, PPF228, PPF2210, PPF2212, PPF2216

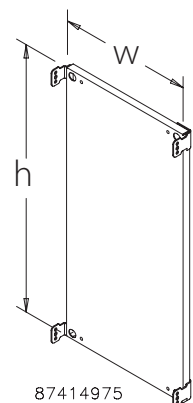


PARTIAL MOUNTING PLATE



Partial Mounting Plates are conductive, unpainted 2,5 mm galvanized steel and have flanges on four sides. Panels can be positioned vertically in 25 mm increments and also can be positioned at any depth in 25 mm increments using the optional depth grid straps (order separately). All necessary mounting hardware is included.

Item number	h [mm]	w [mm]	Fits Frame
PPP46G	360	530	700 mm or taller
PPP48G	360	730	700 mm or taller
PPP86G	735	530	1400 mm or taller
PPP88G	735	730	1400 mm or taller
PPP96G	835	530	1400 mm or taller
PPP98G	835	730	1400 mm or taller
PPP910G	835	930	1400 mm or taller
PPP106G	935	530	1400 mm or taller
PPP108G	935	730	1400 mm or taller



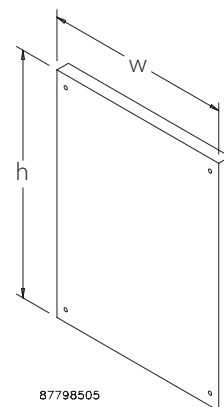
PROLINE Internal Components

SIDE-MOUNT MOUNTING PLATES



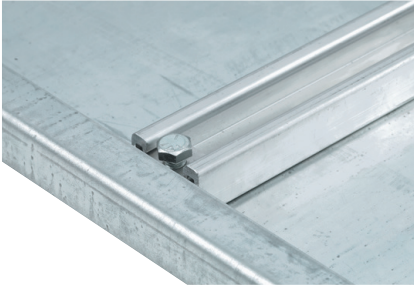
Side mount mounting-plates can be installed on the interior sides of frames. The panel and all the hardware needed to attach the mounting plates to a frame are included. Hardware is plated. Panels are 2,5 mm galvanized steel.

Item number	h [mm]	w [mm]	Fits Frame Size H x D [mm]
PPFSM145G	1308	347	1400 x 500
PPFSM146G	1308	447	1400 x 600
PPFSM165G	1508	347	1600 x 500
PPFSM166G	1508	447	1600 x 600
PPFSM168G	1508	647	1600 x 800
PPFSM184G	1708	247	1800 x 400
PPFSM185G	1708	347	1800 x 500
PPFSM186G	1708	447	1800 x 600
PPFSM188G	1708	647	1800 x 800
PPFSM204G	1908	247	2000 x 400
PPFSM205G	1908	347	2000 x 500
PPFSM206G	1908	447	2000 x 600
PPFSM208G	1908	647	2000 x 800
PPFSM225G	2108	347	2200 x 500
PPFSM226G	2108	447	2200 x 600
PPFSM228G	2108	647	2200 x 800



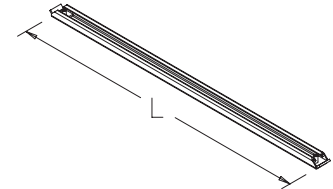
PROLINE Internal Components

PANEL SUPPORT BRACE



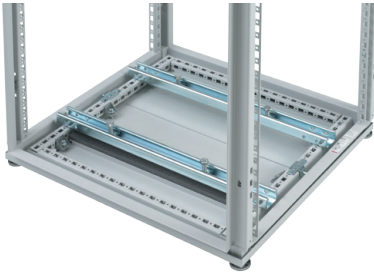
Panel Support Braces give additional support to single- and double-bay panels in heavy loading applications and minimize the vibration created by components mounted on the panel. Braces can be installed on existing systems without removing the panel. Panel support braces are furnished in pairs. Braces are unpainted galvanized steel.

Item number	L [mm]	Fits Panel Width [mm]
PSB10	911	1000
PSB12	1111	1200



87799841

TRANSFORMER RAILS



Transformer Rails are used to mount heavy components and transformers in the bottom of an enclosure.

- The rails are slotted to fit the integral mounting holes in the frame
- Four M10 clamping nuts and bolts are furnished to attach equipment to the rails
- Rails can be installed side to side in the PROLINE frame for component mounting
- Four clip nuts and screws are furnished to mount rails to frame
- All mounting hardware is included
- Package includes set of two transformer rails.

Item number	Length [mm]
PTR6	534
PTR8	734
PTR12	1134

PROLINE GROUNDING KIT WITH ERIFLEX BRAIDS

The grounding kit allows a PROLINE enclosure to be grounded by MBJ Grounding and Bonding Braids according to IEC62208 specifications.

ERIFLEX braids:

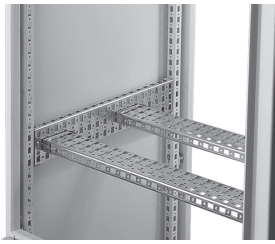
- provide a convenient grounding solution for applications that require flexibility and durability.
- are resistant to vibration and fatigue, reducing maintenance
- have less impedance than cables

Kit includes 7 grounding braids and mounting hardware.

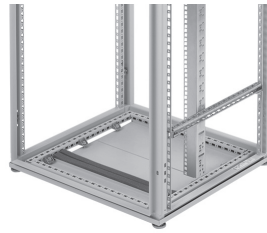
Item number	Cross section	Length Between Ring Terminals [mm]	Ring Terminal Hole Diameter [mm]
PDKE	6 mm ²	6x150 1x300	6,5

PROLINE Internal Components

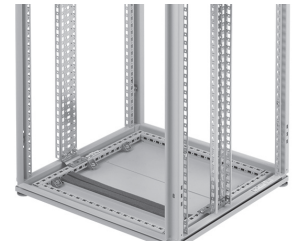
GRID SYSTEM



Grid strap installation (from side to side).



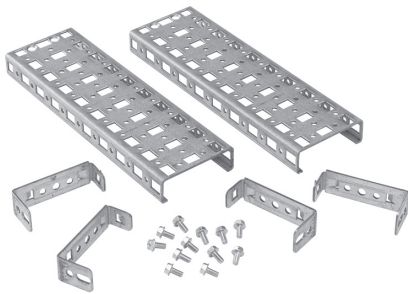
Grid strap installation (vertical and horizontal grid straps)



Full-height vertical grid strap

A Grid System provides a flexible extension to the internal mounting system already furnished with the PROLINE frame. The Grid System allows flexible mounting capabilities in height, width and depth. Accessories or equipment can be attached directly to the Grid System using either cage nuts or front-loading cage nuts.

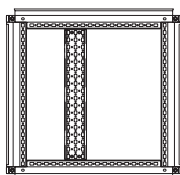
GRID STRAPS



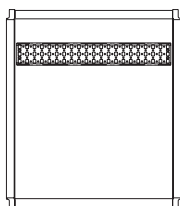
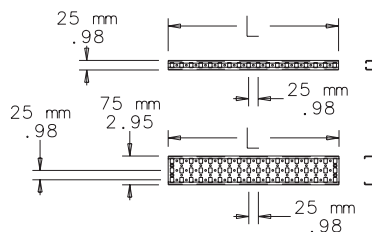
Grid Straps are 2,0 mm plated steel. They are provided with specially designed rectangular holes to allow the use of cage nuts or front-loading cage nuts. Mounting holes are provided on 25 mm centers. Grid Straps are available with either 1 row or 3 rows of holes and are furnished in pairs. Mounting hardware to attach Grid Straps to the frame or to other Grid Straps is included.

- Can be mounted front-to-back horizontally across the bottom or sides of the PROLINE frame
- Can be mounted left-to-right horizontally between front-to-back pairs or from the sides of the PROLINE frame
- Can be mounted vertically between horizontally mounted Grid Straps
- Package includes set of two grid straps.

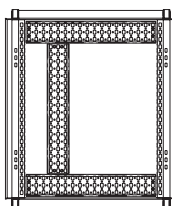
Item number	Hole Pattern	L [mm]	Fits Frame Depth [mm]	Fits Frame Width [mm]
PGH1S4	One Row	242	400	—
PGH1S5	One Row	342	500	—
PGH1S6	One Row	442	600	—
PGH1S7	One Row	542	—	600
PGH1S8	One Row	642	800	—
PGH1S9	One Row	742	—	800
PGH1S11	One Row	942	—	1000
PGH1S13	One Row	1142	—	1200
PGH3S4	Three Row	242	400	—
PGH3S5	Three Row	342	500	—
PGH3S6	Three Row	442	600	—
PGH3S7	Three Row	542	—	600
PGH3S8	Three Row	642	800	—
PGH3S9	Three Row	742	—	800
PGH3S10	Three Row	842	1000	—
PGH3S11	Three Row	942	—	1000
PGH3S12	Three Row	1242	1200	—
PGH3S13	Three Row	1142	—	1200



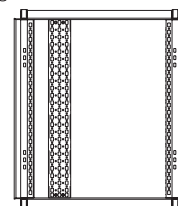
Top View



Front View Horizontal Installation



Side View Vertical and Horizontal Installation

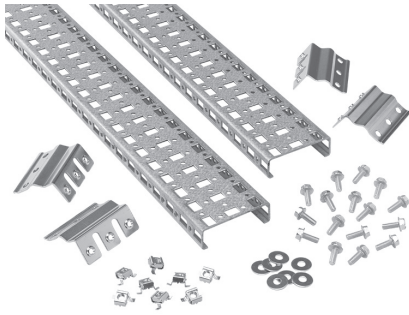


Side View Vertical Installation

87415121

PROLINE Internal Components

FULL-HEIGHT VERTICAL GRID STRAPS



Grid Straps provide a vertical extension of the frame holes in the sides of the PROLINE frame. They are sold in pairs with mounting hardware included. Vertical Grid Straps are 2,0 mm plated steel. Three-row 25 mm hole spacing allows the use of cage nuts or front-loading cage nuts.

Package includes set of two grid straps.

Item number	L [mm]	Fits Frame Height [mm]
PGH3S14V	1295	1400
PGH3S16V	1495	1600
PGH3S18V	1695	1800
PGH3S20V	1895	2000
PGH3S22V	2095	2200

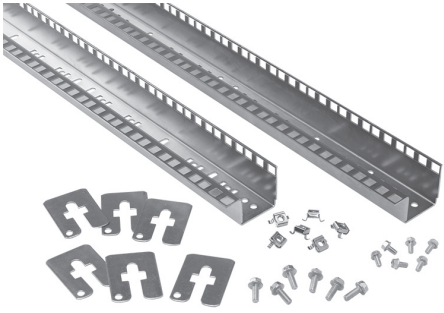
PROLINE Internal Components

SELECTION MATRIX: RACK MOUNTING

Accessory	Fits Frame Height [mm]	Fits Frame Depth [mm]	Fits Accessory	Rack Units Required
19-in. Rack Angles				
PRA198TH	800			16
PRA1914TH	1400			29
PRA1916TH	1600			33
PRA1918TH	1800			38
PRA1920TH	2000			42
PRA1922TH	2200			47
Pull-Out Shelf				
P19PSH5		500-800		2U
P19PSH6		600-800		2U
P19PSH8		800		2U
Pull-Out Shelf Lock				
PSHLOCK			Pull-Out Shelf	
Fixed Shelf				
P19SH5		500-800		1U
P19SH6		600-800		1U
P19SH8		800		1U
Guides				
PG4		400		1U
PG5		500		1U
PG6		600		1U
PG8		800		1U
Rack Panels, Painted Steel				
P19RP1UP				1U
P19RP2UP				2U
P19RP3UP				3U
P19RP4UP				4U

PROLINE Internal Components

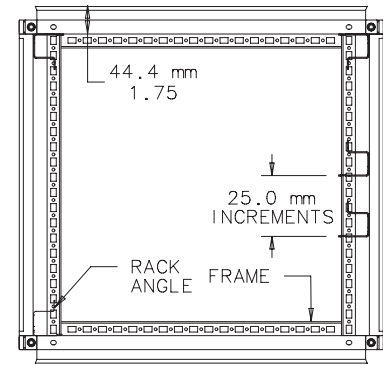
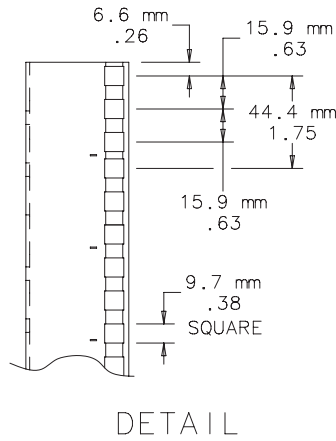
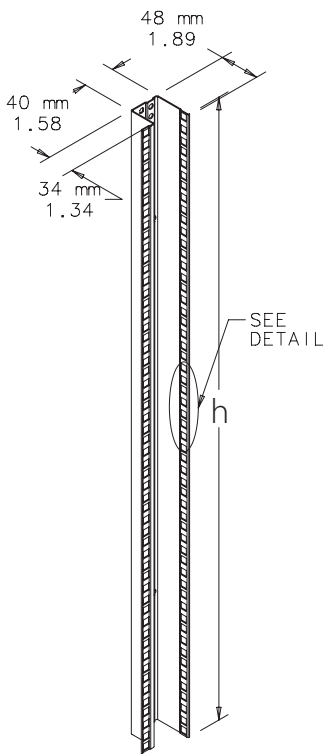
19-IN. RACK ANGLES



Square-Hole Rack Angles are 2,0 mm plated steel designed to accept metric or English cage nuts. 19-in. Rack Angles are fixed directly into a 600 mm wide enclosure frame. To mount 19-in. Rack Angles in 800 mm wide frames, use frame reducing brackets. Package includes set of two 19-in. rack angles.

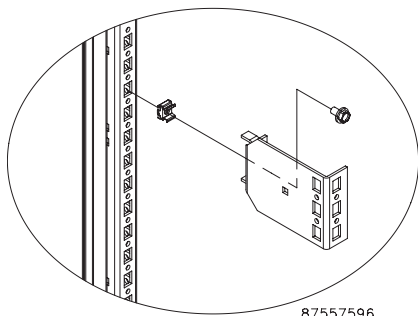
Item number	Hole	h [mm]	Fits Frame [mm]	Rack Units
PRA198TH	Square	712	800	16
PRA1914TH	Square	1290	1400	29
PRA1916TH	Square	1467	1600	33
PRA1918TH	Square	1690	1800	38
PRA1920TH	Square	1867	2000	42
PRA1922TH	Square	2090	2200	47

Vertical holes spaced in 44.5 mm increments.



87932702

FRAME-REDUCING BRACKETS FOR FRAMES OR GRID STRAPS



87557596

Frame-Reducing Brackets mount directly to 800 mm wide PROLINE frames or to grid straps. Converts wider frames to 600 mm wide, allowing 19-in. rack angles to fit. Can be used to left- or right-justify the rack-mounted equipment. Furnished in sets of four. 2,0 mm thick plated steel. Mounting hardware is included. Package includes set of four brackets.

Item number	Reduces Frame Width	w [mm]	w (in.)	Converts Frame Width
PRB100	100	100	3.94	From 800 to 600 From 800 to 700

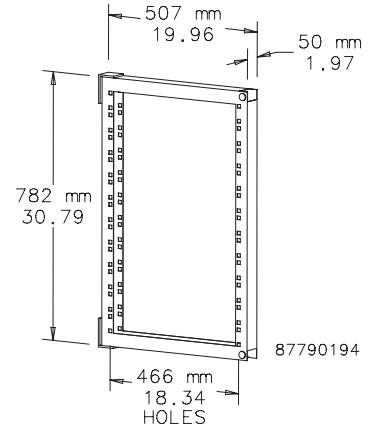
PROLINE Internal Components

PARTIAL SWING-OUT RACK FRAME

This 19-in. Rack Frame is used when a smaller, medium-duty swing-out frame is desired. Light-weight rack equipment fits nicely into this 800 mm tall swing-out frame providing 90 degrees of rotation and increased accessibility.

- Side hinge brackets are used to mount the swing frame, allowing free access above and below the swing frame
- Used with any height enclosure and hinged on the right or left
- Maximum equipment load is 45.4 kg (100 lb.)
- Furnished with hinges, two quarter-turn latches and mounting hardware
- RAL 7035 textured, gray finish
- Complies with ANSI/EIA RS-310-D rack mounting standards

1. *Swing-Out Rack Frame assemblies are supplied with mounting supports.*
2. *Swing-out mounting supports mount to inside of frame at any vertical location.*
3. *Mounting supports and swing-out frame can be located deeper into frame using grid system straps. Deeper mounting affects the degree of opening of swing-out frame*



Item number	Fits Frame Width mm	Rack Units
PSF6	600	16
PSF8	800	16

HEAVY-DUTY SWING-OUT RACK FRAME

- Allows 19-in. rack equipment to pivot out of the enclosure frame for better accessibility; the frames mount on hinges capable of 120-degree rotation; hinges that provide 170-degree rotation are optional
- Spring-loaded pivot post makes installation easy
- Rack Frames are available for 600 and 800 mm wide enclosure frames
- Mounting supports for an 800 mm wide enclosure frame permit you to either center the rack-mounting frame or position it right or left; the frame can also pivot from either the left or the right for maximum flexibility
- Mounting supports can be assembled to the top and bottom of the frame for full-height rack-mounting frames; smaller rack-mounting frames can be mounted to the vertical frame members or to the grid straps; order separately

- Furnished with hinges, two quarter-turn latches and mounting hardware RAL 7035 textured gray finish
- Complies with ANSI/EIA RS-310-D rack-mounting standards
- Maximum equipment load is 136 kg (300 lb.)
- Mounting holes accommodate either English or metric cage nuts, which are ordered separately

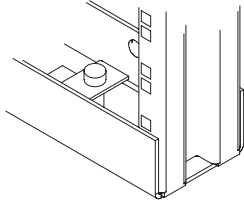
1. *Swing-Out Rack Frame assemblies are supplied with mounting supports. Swing-Out Rack Frames can also be installed in right, left or both bays of 1200 mm wide frames using center uprights.*
2. *Swing-out mounting supports mount to inside of frame at any vertical location.*
3. *Mounting supports and swing-out frame can be located deeper into frame using grid system straps. Deeper mounting affects the degree of opening of swing-out frame.*

Item number	Fits Frame Height [mm]	Fits Frame Width [mm]	h [mm]	w [mm]	Rack Units
PSF146	1400 or taller	600	1215	496	25
PSF148	1400 or taller	800	1215	496	25
PSF168	1600 or taller	800	1438	496	30
PSF186	1800 or taller	600	1615	496	34
PSF188	1800 or taller	800	1615	496	34
PSF206	2000 or taller	600	1838	496	39
PSF208	2000 or taller	800	1838	496	39
PSF226	2200 tall	600	2015	496	43
PSF228	2200 tall	800	2015	496	43

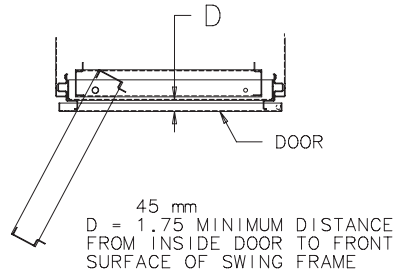
PROLINE Internal Components

HEAVY-DUTY SWING-OUT RACK FRAME

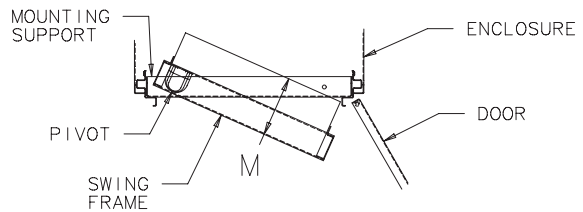
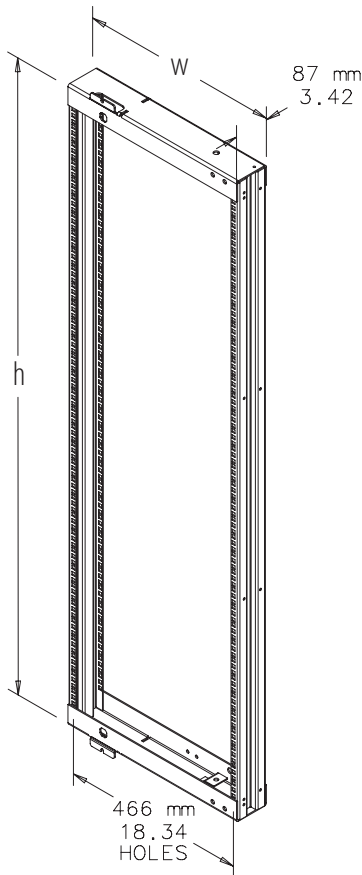
Standard 120° Frame Hinging



120° Mounting Position

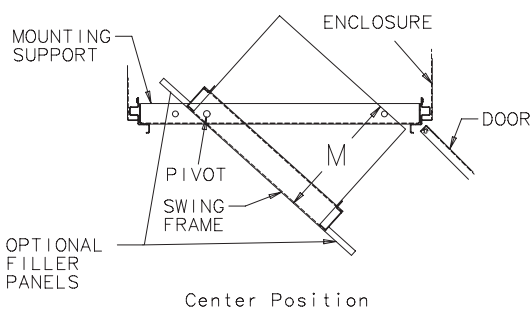


Maximum Installation Depth for 600 mm Wide Enclosures

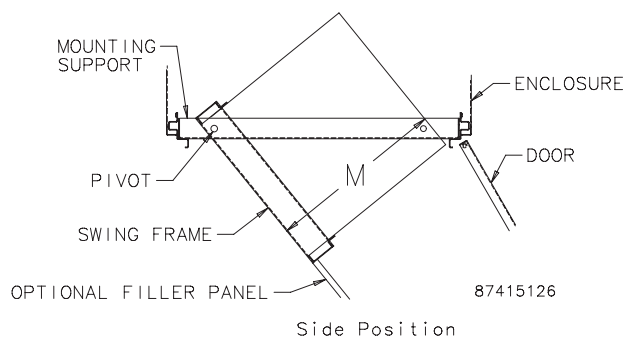


M = Max Installation Depth = 216 mm (8.50 in.)

Maximum Installation Depth for 800 mm Wide Enclosures



M = Max Installation Depth = 394 mm (15.50 in.)



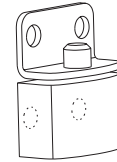
M = Max Installation Depth = 514 mm (20.25 in.)

PROLINE Internal Components

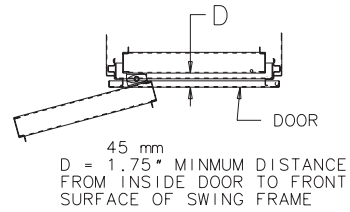
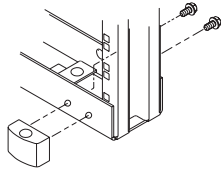
170-DEGREE HINGE KIT

Use this kit in conjunction with the Heavy-Duty Swing-Out Frame. It provides increased accessibility to the back of rack equipment.

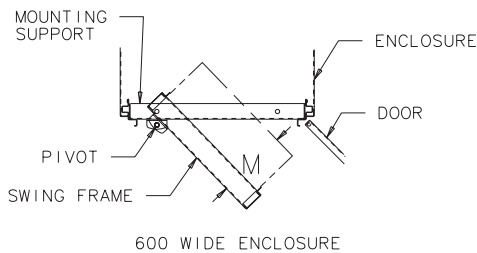
Item number	Length [mm]
PSF170K	600, 700 and 800



Optional 170° Frame Hinging

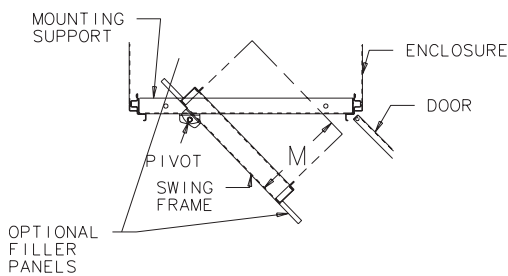


Maximum Installation Depth for 600 mm Wide Enclosures

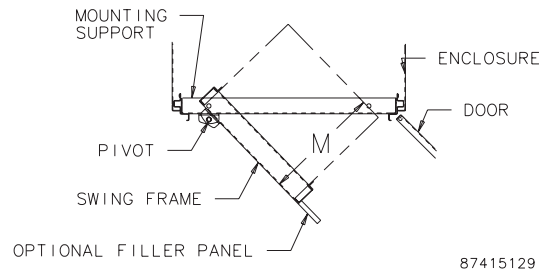


M = Max. Installation Depth = 165 mm (6.50 in.)

Maximum Installation Depth for 800mm Wide Enclosures



M = Max. Installation Depth = 349 mm (13.75 in.)

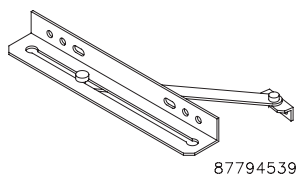


M = Max. Installation Depth = 488 mm (19.25 in.)

87415129

PROLINE Internal Components

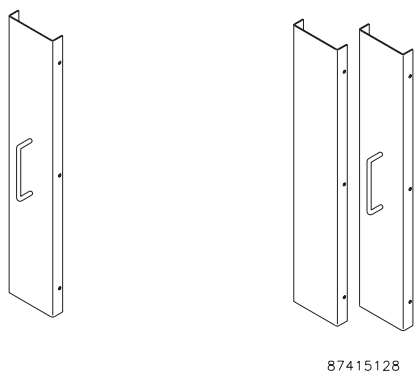
STOP ARM KIT



Used with Heavy-Duty Swing-Out Rack Frames to lock the frame in the open position. Consists of stop arm and mounting hardware.

Item number	Length [mm]
PSAK120	120-degree Stop Arm Kit
PSAK170	170-degree Stop Arm Kit

FILLER PANEL KIT

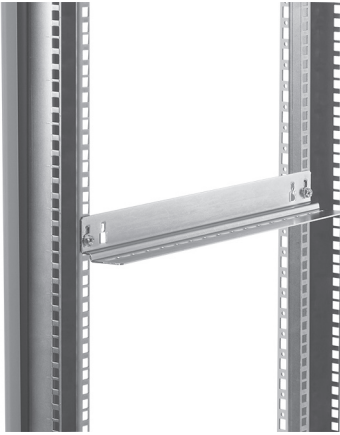


Used when mounting Heavy-Duty Swing-Out Rack Frames in 800 mm wide frames. The Filler Panel occupies the extra space between the frame and the swing frame. Includes a handle and all the hardware for mounting to the Swing-Out Rack Frame.

Item number	Swing Frame Height	Enclosure Width	Mounting
PFPK188LR	1800	800	Left or Right
PFPK188C	1800	800	Center
PFPK208LR	2000	800	Left or Right
PFPK208C	2000	800	Center
PFPK228LR	2200	800	Left or Right

PROLINE Internal Components

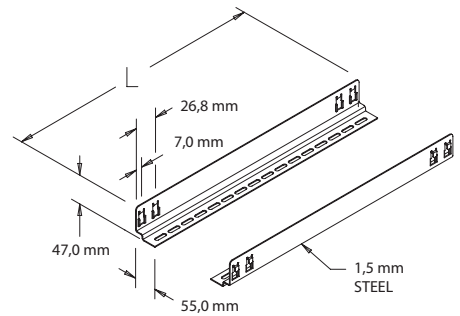
GUIDES



Equipment Guides help support rack-mounted equipment during installation. Guides mount between two pairs of rack angles. Slotted holes are provided for vertical or lateral adjustment. Guides have plated finish. Mounting hardware included. Can be installed on 19-in. rack angles. Package includes set of two guides.

Rack accessories that are shorter than the enclosure depth can be mounted to rack angles or frame accessory brackets attached to grid straps. Order these items separately.

Item number	L [mm]	Frame Depth [mm]
PG4	217	400
PG5	317	500
PG6	417	600
PG8	617	800



87415141

RACK PANEL



Rack Panels are 2,5 mm steel and finished in RAL 7035 textured light-gray polyester powder paint. All panels are flat with oblong holes positioned at EIA standard spacing.

Mounting hardware is sold separately.

Item number	Rack Angle Size	Rack Units
P19RP1UP	19 in	1
P19RP2UP	19 in.	2
P19RP3UP	19 in.	3
P19RP4UP	19 in.	4

NOTES:

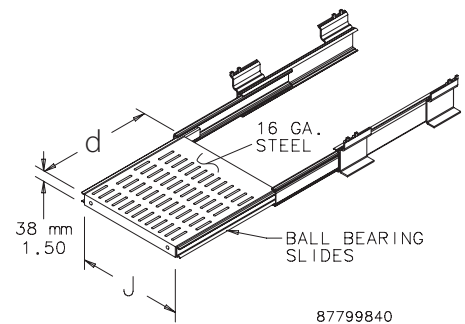
PROLINE Internal Components

FRAME PULL-OUT SHELF

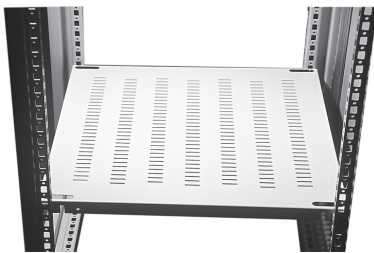


Frame Pull-Out Shelf allows easy access to shelf-mounted devices. The shelf is 1,5 mm steel with 2,0 mm steel supports. The entire assembly is finished with RAL 7035 textured, gray polyester powder paint. The shelf mounts to the front and rear frame uprights. Mounting hardware included. Load rating is 50 kg.

Item number	d [mm]	J [mm]	Shelf Extension [mm]
PFSHP66	461	475	450
PFSHP68	661	475	670
PFSHP86	461	675	450
PFSHP88	661	675	670

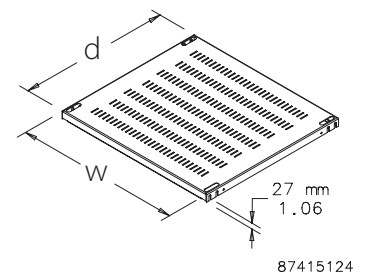


FRAME SHELF



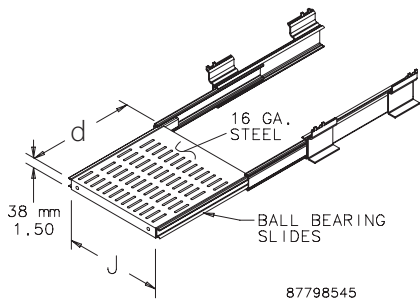
Vented Frame Shelf mounts to the vertical hole pattern on a frame and provides a stationary surface for equipment. The shelf is 1,5 mm steel finished with RAL 7035 textured, gray polyester powder paint.

Item number	d [mm]	w [mm]
PFSH64	300	548
PFSH65	400	548
PFSH66	500	548
PFSH68	700	548
PFSH69	800	548
PFSH85	400	748
PFSH86	500	748
PFSH88	700	748
PFSH89	800	748
PFSH104	300	948
PFSH105	400	948
PFSH106	500	948
PFSH108	700	948



PROLINE Internal Components

PULL-OUT SHELF



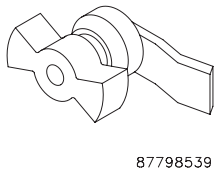
Pull-Out Shelf allows easy access to shelf-mounted devices. Shelf is 1,5 mm steel. The entire assembly is finished with RAL 7035 textured, light-gray polyester powder paint. The shelf mounts to the front surface of front and back 19-in. rack angles.

Load rating is 68 kg with four rack angle mountings and 34 kg with front rack angle mounting.

Rack accessories that are shorter than the enclosure depth can be mounted to rack angles or frame accessory brackets attached to grid straps. Order these items separately.

Item number	d [mm]	J [mm]	Shelf Extension [mm]	Fits Rack Width [mm]	Fits Frame Depth [mm]	Rack Units
P19PSH5	361	403	350	483	500-800	2
P19PSH6	461	403	450	483	600-800	2
P19PSH8	661	403	670	483	800	2

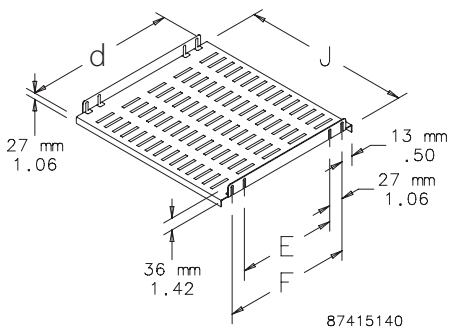
PULL-OUT SHELF LOCK



Pull-Out Shelf Lock is used in combination with the Pull-Out Shelf to hold the shelf in the recessed position. It can be mounted on either the left or right side. This black quarter-turn lock has a wing knob for easy hand operation.

Catalog Number	Description
PSHLOCK	Pull-Out Shelf Lock

FIXED SHELF



Fixed Shelves mount to the front and back 19-in. rack angles. The shelf is 2,0 mm steel with adjustable 2,5 mm steel supports. Adjustable to fit multiple-depth enclosures or rack angle placements. Entire assembly is finished with RAL 7035 textured, light-gray polyester powder paint. Load rating is 68 kg.

Rack accessories that are shorter than the enclosure depth can be mounted to rack angles or frame accessory brackets attached to grid straps. Order these items separately.

Item number	d [mm]	E [mm]	F [mm]	J [mm]	Fits Rack Width [mm]	Fits Frame Depth [mm]	Rack Units
P19SH5	349	264.8	318.4	477	483	500-800	1
P19SH6	449	364.8	418.4	477	783	600-800	1
P19SH8	649	564.8	618.4	477	483	800	1

PROLINE-PC, Type 12



INDUSTRY STANDARDS

UL 508A Listed; Type 12; File Number E61997
 cUL Listed per CSA C22.2 No 94; Type 12; File Number E61997

NEMA/EEMAC Type 12
 CSA File Number 42186: Type 12
 VDE IP55
 IEC 60529, IP55



APPLICATION

PROLINE-PC Modular Enclosures offer effective protection for computer monitors, keyboards, CPUs, printers and other peripheral equipment in industrial environments.

SCOPE OF DELIVERY

- Frame
- Solid sides
- Solid top
- 100 mm solid base
- 3 doors
- Keyboard compartment

STANDARD PRODUCT MILD STEEL

Item number	Size H x W x D [mm]	M [mm]	N [mm]	P [mm]	R [mm]	Top Door Opening, Height [mm]	Top Door Opening, Width [mm]	Bottom Door Opening, Height [mm]	Bottom Door Opening, Weight [mm]
PPC1666	1688 x 608 x 599	343	366	586	1363	558	536	739	536
PPC1668	1688 x 608 x 799	343	366	586	1363	558	536	739	536
PPC1866	1888 x 608 x 599	343	366	786	1463	758	536	739	536
PPC1868	1888 x 608 x 799	343	366	786	1563	958	536	739	536

FEATURES

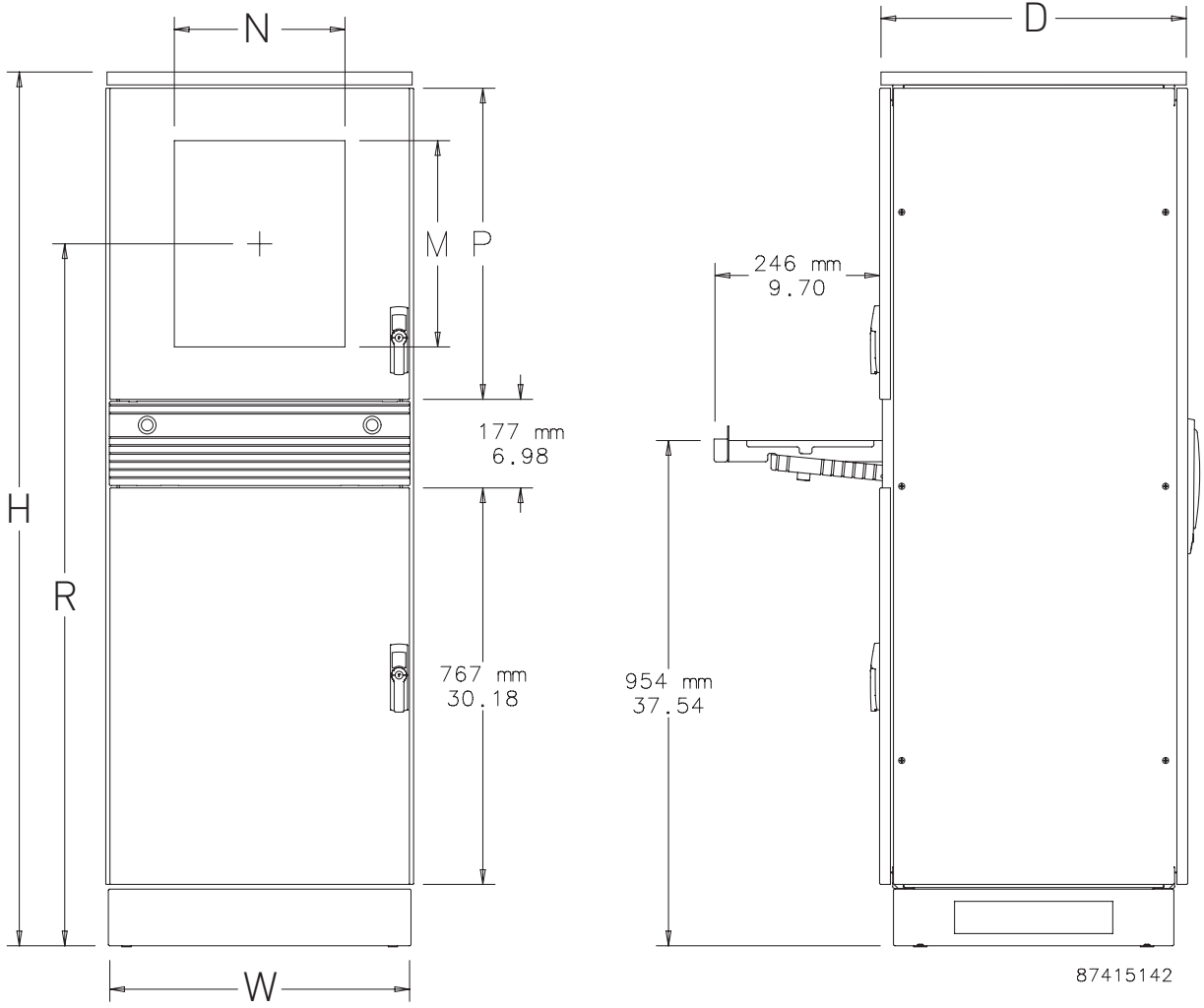
- The frame is enclosed with solid sides, a solid top and a 100 mm solid base.
- Three doors, two in front and one in back, provide convenient access
- The sealed keyboard compartment maintains enclosure integrity when the compartment door is opened
- The PROLINE keyboard compartment includes a locking feature, an angled palm rest, a cable access port for wiring and integral mouse pad holders for both left-handed and right-handed people
- The bottom compartment includes a solid door, hinged on the left, that has a small flush swing handle with keylocking. This compartment can be used to install computer equipment, panel-mounted equipment or rack mounted control systems.

SPECIFICATIONS

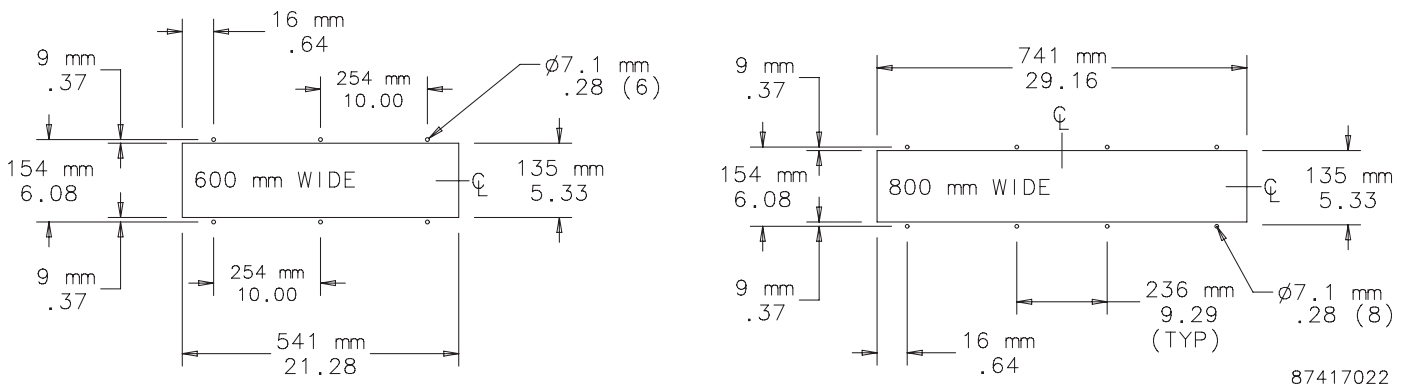
- The 483 mm diagonal top window door, hinged on the left, offers viewing access for a variety of monitor sizes and has a small flush swing handle with keylock for system security
- The vented frame shelf in the top compartment is constructed of 1,5 mm steel and is painted with RAL 7035 textured, light-gray polyester powder paint

PROLINE-PC, Type 12

PROLINE-PC Modular Enclosure



Accessory Front Opening Mounting Cutout



North America

Minneapolis, MN

Tel: +1.763.421.2240

Mexico, D.F.

Tel: +52.55.5280.1449

Toronto, Canada

Tel: +1.416.289.2770

South America

Sao Paulo, Brazil

Tel: +55.11.5184.2100

Boitura, Brazil

Tel: +55.15.3363.9148

Europe

Straubenhardt, Germany

Tel: +49.7082.794.0

Dzierzoniow, Poland

Tel: +48.74.64.63.900

Lainate, Italy

Tel: +39.02.932.7141

Aachen, Germany

Tel: +49.2405.40996.0

Middle East & India

Dubai, United Arab Emirates

Tel: +971.4.378.1700

Bangalore, India

Tel: +91.80.6715.2001

Asia

Shanghai, P.R. China

Tel: +86.21.2412.6943

Singapore

Tel: +65.6768.5800

Shin-Yokohama, Japan

Tel: +81.45.476.0271

Seoul, Korea

Tel: +82.2.2129.7755

Qingdao

Tel: +86.532.8771.6101

Our powerful portfolio of brands:

CADDY ERICO HOFFMAN RAYCHEM SCHROFF TRACER



nVent.com/HOFFMAN