

# 2018 HAWES PARTS CATALOG



# Introducing HAWS® SERVICES



## WHAT WE DO

### EMERGENCY RESPONSE MAINTENANCE, REPAIRS, AND COMPLIANCE

Specializing in emergency shower and eyewash product commissioning, preventative maintenance, annual ANSI site surveys and inspections, repairs, and educational training programs for certification.

### RELIABLE PRODUCT COMMISSIONING

From new installations to existing systems, we assist in design, installation, testing, troubleshooting, and operation. Our commissioning experts provide complete and thorough services according to the products operational requirements.

### EXTENSIVE ANSI Z358.1 COMPETENT PERSON TRAINING

With many safety policies and standards to abide by, it can be difficult to be knowledgeable and proficient on all the important details. **Haws Services** offers **onsite** and **online** step-by-step ANSI compliance education and training support to help your team better understand the value and importance of compliant equipment and the potentially severe effects of noncompliance. Training includes:

- Review of the ANSI Z358.1 Standard
- How to Conduct Weekly and Annual Inspections
- Quiz to Ensure Comprehension
- Receipt of Certification

The training is ideal for site personnel responsible for conducting weekly activations and annual inspections.

### COMPREHENSIVE ANSI Z358.1 ANNUAL INSPECTIONS

ANSI compliance is a crucial component of emergency shower and eyewash first aid. **Haws Services** offers in-depth, onsite evaluation and testing to assess your facility's compliance to ANSI requirements. In addition, we provide robust reporting and detailed recommendations to bring your site to compliance with the current ANSI Z358.1 Standard.

### PREVENTATIVE MAINTENANCE

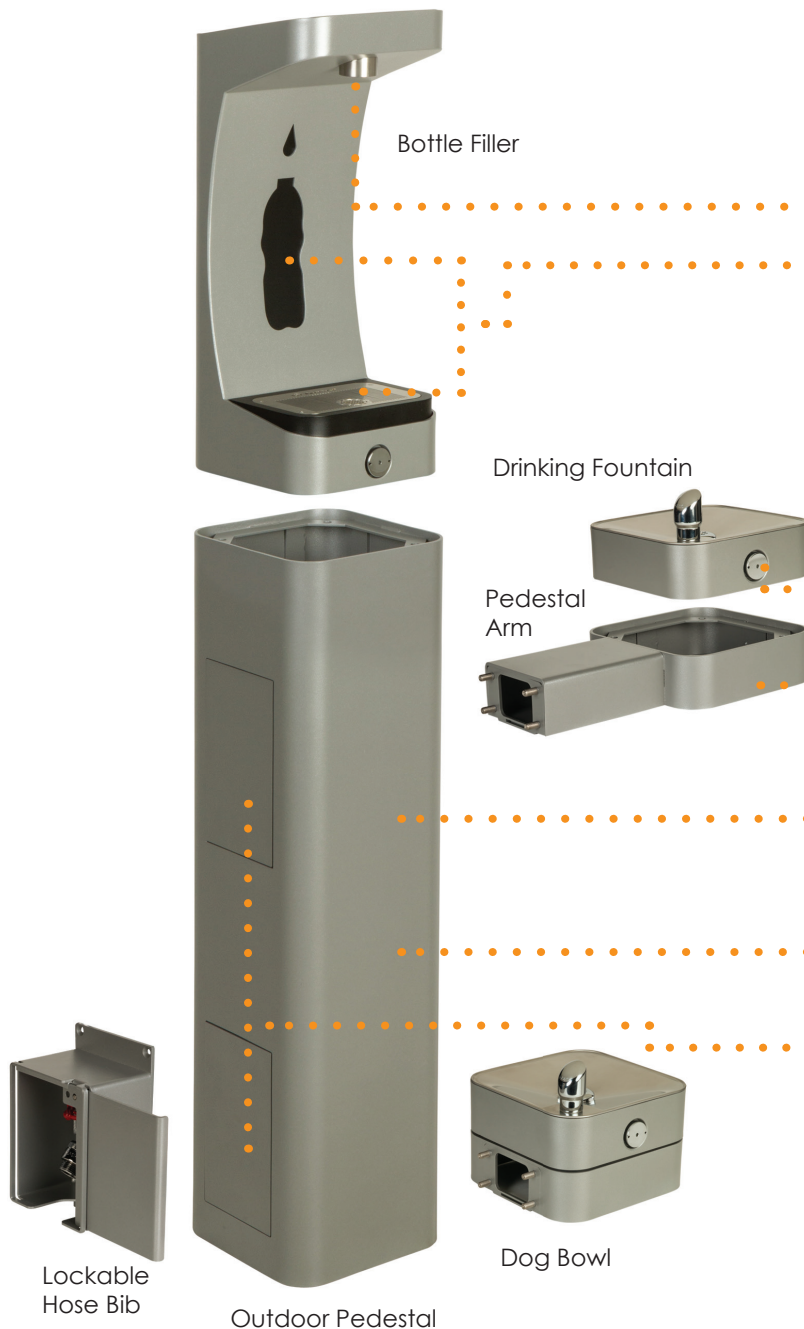
Ongoing requirements to maintain properly functioning emergency equipment can be challenging in conjunction with all the other safety and first aid systems. **Haws Services** offers all-inclusive services to guarantee accurate cleaning, inspection, and replacement of necessary parts and/or units to ensure proper functionality and longevity of emergency equipment.

### EMERGENCY EQUIPMENT PRODUCT REPAIRS AND UPGRADES

Onsite repairs and/or upgrades by experienced and knowledgeable ANSI compliant emergency shower and eyewash experts.



# MODULAR OUTDOOR BOTTLE FILLER and DRINKING FOUNTAIN



## KEY FEATURES:

- Certified by CSA to NSF/ANSI 61, Section 9 and NSF/ANSI 372
- 100% lead free waterways
- Laminar, 1 GPM (3.8LPM) flow rate
- Drain pan logo and bottle color customization
- Interchangeable accessory options
- Drinking fountain bowl and bubbler head can be rotated to adjust for multiple configurations and accessibility
- Mechanical push button activation for bottle filler and drinking fountain
- Modular arm design for pre- and in-field placement and variations
- Robust matte powder-coated exterior for an aesthetically appealing look and feel
- Durable and sturdy 3/16" steel exterior with phosphate undercoat
- Top-down drain access for easy cleaning and maintenance
- Freeze-resistant (FR) options to maintain functionality in cold weather environments
- Easy installation with convenient access to internal plumbing
- Unlimited custom color options
- Competitive pricing with 200+ configuration options
- Base pedestal is equipped with four hydration placement options and three lower accessory options
- Environmentally-friendly hydration solution for reduced plastic consumption

## STANDARD COLOR OPTIONS



For custom colors, contact customer service:  
[customerservice@hawesco.com](mailto:customerservice@hawesco.com),  
 or call 888.640.4297.

# FOUNTAIN PARTS AND ACCESSORIES :: 2018

MODEL NUMBER	DESCRIPTION	LIST PRICE \$ USD	SHIP WT
<b>FOUNTAIN AND FAUCET VALVES</b>			
5010SS	Push button bubbler valve, stainless steel	180.00	2
5010.6427SS	Push button bubbler valve with flange, stainless steel	305.00	3
5017LF~	Lead-free bubbler valve, deck mounted	325.00	4
5051LF	Lead-free bubbler valve, deck mounted	340.00	3
5054LF ~	Lead-free bubbler valve, deck mounted	335.00	4
6394	Flow control for 5054LF faucet	62.00	1
5060LF	Lead-free bubbler valve, deck mounted	335.00	2
5452LF ~	Lead-free gooseneck faucet, self-closing	360.00	4
5510LF ~	Lead-free gooseneck faucet, compression	295.00	4
5551	Glass filler, push lever operated	135.00	1
5815	Check valve for 6518 series freeze valves	54.00	1
5830LF	Lead-free valve, polished chrome-plated 1/2" x 1/4"	270.00	2
5851LF	Lead-free valve, polished chrome-plated w/lever handle 3/8" x 3/8"	270.00	2
5867	Regulator, 1/4" x 1/4"	118.00	2
5874PB	Stainless steel recessed push button w/valve	240.00	2
5874PBF	Stainless steel flanged push button w/valve	240.00	2
5881	Air-operated valve	390.00	2
6250LF	Polished chrome-plated, self-closing, plain-end, bib faucet, lead-free	410.00	3
6252EHLF	Lead-free bib faucet, self-closing	290.00	3
6275	Compression hose bib	225.00	2
<b>FREEZE RESISTANT FOUNTAIN VALVES</b>			
6518FR	In-ground pneumatic-operated, freeze-resistant single valve system	1440.00	57
6518.2FR	In-ground pneumatic-operated, freeze-resistant dual valve system	2010.00	57
6521FR	Wall-mounted, pneumatic-operated, freeze-resistant single valve system	1130.00	15
<b>VALVE REPAIR KITS</b>			
5452HST	Handle stem assembly for 5452LF	275.00	2
5800VRKT	Valve repair kit	93.00	1
5830HST	Handle and stem assembly	205.00	1
5851LFHST	Handle and stem assembly for 5851LF	240.00	2
6252HST	Handle and stem assembly for 6252EHLF	205.00	1
6518FRDV	Drain valve assembly	87.00	1
VRK1AV	Valve repair kit for 5881PBA	82.00	1
VRK2AV	Valve repair kit for 5881	134.00	1
VRK3AV	Valve repair kit for 5881, black cover	77.00	1
VRK5010	Valve repair kit for 5010	60.00	1
VRK5871	Valve repair kit for 5871	71.00	1
VRK5872	Valve repair kit for 5872	60.00	1
VRK5874	Valve repair kit for 5874	73.00	1
VRK5874HF	Valve repair kit for 5874 high flow	81.00	1
VRKHO1	Repair kit for HO sensor 3-pin connector	600.00	1
VRKHO2	Repair kit for HO sensor, universal cable assembly	70.00	1
VRKHO3	Repair kit for HO sensor, solenoid valve with 2-pin connector	335.00	1

## FOUNTAIN PARTS AND ACCESSORIES :: 2018

MODEL NUMBER	DESCRIPTION	LIST PRICE \$ USD	SHIP WT
<b>FOUNTAIN BUBBLER HEADS</b>			
5701	Bubbler head, PCP (Polished Chrome Plated)	87.00	1
5701SL	Bubbler head, PCP w/lock washer	103.00	1
5703M	Bubbler head assembly, PCP	215.00	2
5705	Bubbler head, PCP	180.00	2
5720	Bubbler head assembly, PCP	225.00	2
<b>VALVE PUSH BUTTONS</b>			
5881PBA	Push button assembly for 5881	245.00	1
PBA6	Push button assembly, PCP	108.00	1
PBA7	Push button assembly, PCP	108.00	1
<b>DRAIN STRAINERS</b>			
6450	Waste strainer, stainless steel	18.00	1
6452	PCP brass waste strainer	108.00	1
6453	Waste strainer assembly for new style 1311	90.00	1
6454	Waste strainer assembly, PCP brass	81.00	1
6455 ~	Waste strainer assembly, flat type	49.00	1
6458	Waste strainer assembly, flat type	71.00	1
6461	Waste strainer assembly	139.00	2
6462	Waste strainer assembly	98.00	1
6463	Waste strainer assembly, satin chrome-plated	71.00	1
6463PCP	Waste strainer assembly, polished chrome-plated	120.00	1
6466	Waste strainer assembly	190.00	1
6469	Drip tray for 1920 over 1109 and 1119 style fountains	130.00	2
<b>FOUNTAIN BOTTOM PLATES</b>			
PBM1000	Bottom plate for 1001 and 1011 series fountains	123.00	1
PBM1025	Bottom plate for 1025 and 3300 series fountains	95.00	1
PBM1047	Bottom plate for 1047 and 3150 series fountains	165.00	2
PBM1105	Bottom plate for 1105 and 1119 series fountains	168.00	2
PBM1107	Bottom plate for 1107L and 1117L series fountains	188.00	2
PBM1109	Bottom plate for 1109 and 1119 series fountains	188.00	2
PBM1311	Bottom plate for 1311 and 1501 fountains	105.00	2
PBM1311ADA	Bottom plate for new style 1311 and 1501 fountains	105.00	2
PBM1431	Bottom plate for 1431 fountain	220.00	11
PBM1441	Bottom plate for 1441 fountain	240.00	11
PBM3177	Bottom plate for 3177 fountain	110.00	11
VP17	Bottom plate for 1430 fountain	195.00	7
VP18	Bottom plate for 1435 fountain	240.00	10
<b>FOUNTAIN BACK AND ACCESS PANELS</b>			
BP15	Back panel for 1920 over single fountain	145.00	4
BP15HPS	Back panel for 1920HPS over single fountain	390.00	4
BP3	Back panel, satin stainless steel for 1105, 1109, 1109FR	103.00	3
BP32	Back panel for 1920 over dual fountain	285.00	9
BP32HPS	Back panel for 1920HPS over dual fountain	460.00	9
BP32R	Back panel for 1920 over dual fountain, reversed	280.00	9

# FOUNTAIN PARTS AND ACCESSORIES :: 2018

LIST PRICE  
\$ USD

<b>FOUNTAIN BACK AND ACCESS PANELS CONTINUED</b>			
<b>BP32RW</b>	Back panel for 1920W for 1501, reversed	280.00	9
<b>BP32W</b>	Back panel for 1920W for 1501	280.00	9
<b>BP6</b>	Back panel, satin stainless steel for 1001 and 1001MS	144.00	3
<b>BP6HPS</b>	Back panel, high-polished stainless steel for 1001HPS and 1001HPSMS	390.00	3
<b>BP7</b>	Back panel, satin stainless steel for 1107L	108.00	2
<b>6603</b>	Access panel, stainless steel w/satin finish, 9" x 9"	215.00	3
<b>6603HPS</b>	Access panel, high-polished stainless steel, 9" x 9"	355.00	3
<b>6606</b>	Access panel, stainless steel w/satin finish, 15" x 9"	185.00	2
<b>6606HPS</b>	Access panel, high-polished stainless steel, 15" x 9"	440.00	2
<b>6608</b>	Access panel, stainless steel w/satin finish, 32" x 9"	335.00	5
<b>6608HPS</b>	Access panel, high-polished stainless steel, 32" x 9"	725.00	5
<b>PA3177</b>	Access plate, front for 3177	103.00	2
<b>PAB3000</b>	Access plate, stainless steel used on concrete pedestal fountains	82.00	1
<b>FOUNTAIN MOUNTING PLATES AND FRAMES</b>			
<b>6700</b>	Steel in-wall mounting plate for 1001 series, 1025, 1105, 1107L and 1109 series	110.00	6
<b>6700.4</b>	In-wall mounting plate for 1011 and 1119 series	180.00	22
<b>6700.4L</b>	In-wall mounting plate for 1011 and 1119 series with low side reversed	210.00	22
<b>6700R</b>	On-wall mounting plate, retrofit 1920	123.00	5
<b>6710</b>	Steel in-wall mounting plate for 1441	225.00	15
<b>6715</b>	Steel in-wall mounting plate for new style 1501	345.00	24
<b>6717</b>	Steel in-wall mounting plate for 1117L	205.00	23
<b>6800</b>	Universal in-wall support carrier for use with 6700 series mounting plates	450.00	26
<b>MTGFR.DF1</b>	In-wall mounting frame for 1001MS and 1001HPSMS	235.00	10
<b>MTGFR.DF2</b>	In-wall mounting frame for 1011MS and 1011HPSMS	445.00	24
<b>MTGFR.HSC</b>	In-wall mounting frame for chiller; includes mounting frame and grill – to be used with 2000S and 2000SMS	335.00	11
<b>MTG.3500</b>	Stainless steel mounting plate for 3500 series	345.00	12
<b>MTG.3501</b>	6" galvanized anchors for 3500 series	108.00	4
<b>FOUNTAIN FILTERS AND STRAINERS</b>			
<b>6422</b>	Bottle filling station filter replacement cartridge for Models 2000 and 2000SM	82.00	2
<b>6423</b>	Hydration By Haws™ 2500-gallon replacement filter with electronic life cycle control	92.00	3
<b>6424</b>	Brita® Hydration Station® 2500-gallon replacement filter +	92.00	3
<b>6425</b>	Water filter	36.00	1
<b>6426</b>	Lead removal filter	67.00	3
<b>6429</b>	Brita® Hydration Station® 2500-gallon replacement filter with electronic life cycle control +	92.00	3
<b>6433</b>	Strainer, lead-free celcon	52.00	1
<b>6438</b>	Strainer stainless steel nipple three hole, 1/4" NPT	30.00	1
<b>6441</b>	Brita® Hydration Station® replacement filter for Hydration Station models 2520+	61.00	2
<b>SAND TRAPS FOR OUTDOOR PEDESTAL FOUNTAINS</b>			
<b>6611</b>	In-ground sand trap	865.00	12
<b>6635</b>	Acrylic sand trap for 3500 series	770.00	4

†The BRITA trademark and logo are registered trademarks of Brita LP and are used under license by Haws Corporation®. All rights reserved.

# PRODUCT REFERENCE GUIDE :: FOUNTAINS PARTS AND ACCESSORIES

PRODUCT MODEL	BUBBLER HEAD	VALVE	PUSH BUTTON ASSEMBLY	WASTE STRAINER	PLATE
1001, 1001MS	5705	5874PBF	PBA6	6463	PBM1000
1001HPS, 1001HPSMS	5705	5874PBF	PBA6	6463PCP	PBM1000
1011, 1011MS	5705	5874PBF	PBA6	6463	PBM1000
1011HPS, 1011HPSMS	5705	5874PBF	PBA6	6463PCP	PBM1000
1025, 1025G	5703M	5874PB	PBA7	6466	PBM1025
1047	5703M	5874PB	PBA7	6466	PBM1047
1105	5703M	5874PBF	PBA6	6462	PBM1105
1107L	5703M	5874PBF	PBA6	6462	PBM1107
1109, 1109.14	5703M	5874PBF	PBA6	6462	PBM1109
1109FR	5703M	6521FR	5881PBA		PBM1109
1117L, 1117LN	5703M	5874PBF	PBA6	6462	PBM1107
1119, 1119.14	5703M	5874PBF	PBA6	6462	PBM1105, PBM1109
1119FR	5703M	6521FR	5881PBA		PBM1105, PBM1109
1152	5010SS			6450	
1311	5703M	5874PBF	PBA6	6463	PBM1311ADA
1409	5703M	5874PB	PBA7	6454	
1430	5703M	5874PB	PBA7	6454	VP17
1431	5703M	5874PB	PBA7	6454	PBM1431
1435	5703M	5874PB	PBA7	6454	VP18
1441	5703M	5874PB	PBA7	6454	PBM1441
1501	5703M	5874PBF	PBA6	6463	PBM1311ADA
1900		5874PB	PBA7		
1920			PBA6		
3060	5701SL	5874PB	PBA7	6461	PAB3000
3060FR	5701SL	6518FR	5881PBA	6461	PAB3000
3121	5703M	5874PB	PBA7	6466	
3121FR	5703M	6518FR	5881PBA	6466	
3150	5703M	5874PB	PBA7	6466	PAB3000, PBM1047
3150FR	5703M	6518.2FR	5881PBA	6466	PAB3000, PBM1047
3177	5703M	5874PB	PBA7	6466	PAB3000, PA3177, PBM3177
3177FR	5703M	6518FR	5881PBA	6466	PAB3000, PA3177, PBM3177
3202, 3202G	5703M	5874PB	PBA7		
3300, 3300G	5703M	5874PB	PBA7	6466	PBM1025
3300FR	5703M	6518.2FR	5881PBA	6466	PBM1025
3377, 3377G	5705	5874PBF	PBA6	6463	PBM1000
3377BF, 3377BFG		5874PBF	PBA6		
3377FR, 3377BFFR	5705	6518FR	5881PBA	6463	PBM1000

# PRODUCT REFERENCE GUIDE :: FOUNTAINS PARTS AND ACCESSORIES

PRODUCT MODEL	BUBBLER HEAD	VALVE	PUSH BUTTON ASSEMBLY	WASTE STRAINER	PLATE
<b>3380, 3380G</b>	5705	5874PB	PBA7		
<b>3380FR, 3380GFR</b>	5705	6518FR	5881PBA		
<b>3482</b>	5701SL	5830LF		6450	
<b>3500, 3500D</b>	5703M	5874PB	PBA7	6452	
<b>3500FR</b>	5703M	6518.2FR	5881PBA	6452	
<b>3600 series</b>	5703M	5874PB	PBA7	6466	3650
<b>3600FR series</b>	5703M	6518FR and/or 6518.2FR	5881PBA	6466	3650
<b>4010</b>	0001235211			6450	
<b>H1001.8</b>	5705	5874PBF	PBA6	6463	PBM1000
<b>H1001.8HPS</b>	5705	5874PBF	PBA6	6463PCP	PBM1000
<b>H1011.8</b>	5705	5874PBF	PBA6	6463	PBM1000
<b>H1011.8HPS</b>	5705	5874PBF	PBA6	6463PCP	PBM1000
<b>H1107.8</b>	5703M	5874PBF	PBA6	6462	PBM1107
<b>H1109.8</b>	5703M	5874PBF	PBA6	6462	PBM1109
<b>H1117.8</b>	5703M	5874PBF	PBA6	6462	PBM1107
<b>H1119.8</b>	5703M	5874PBF	PBA6	6462	PBM1109



# Product Spotlight :: Emergency Equipment

## AXION ADVANTAGE®

The AXION Advantage eye/face wash and shower systems are designed to replace outdated, under-performing or in some cases, non-conforming installed emergency eyewash/shower combinations with the medically superior AXION MSR performance. With four Advantage systems providing the necessary pieces to convert the majority of existing competitive eyewashes and showers, your facility will have the tools to upgrade older Haws products, replace ineffective competitive products, and test for continued ANSI compliance.

Upgrading to AXION Advantage is easy; simply remove the existing head, select one of the supplied connectors, and attach the AXION head. Systems are available in stainless steel and ABS plastic.

### Model AX14

AXION Advantage eye/face wash upgrade system with green ABS plastic eye/face wash head and showerhead.



### Model 7603

Self-contained portable eyewash with 15-gallon (57 L) stainless steel tank. Unit is an ideal, cost-efficient solution for a remote facility's ANSI eyewash requirements. Certified to ISEA/ANSI Z358.1-2014. Optional transport cart, model 9008, and optional drench hose (shown), model 8901B, available.

### Model 7603T

Air-pressurized, 15-gallon, portable eyewash that uses a heated, insulated blanket to provide ANSI compliant tempered, potable water in ambient operating temperatures from -20°F (-29°C) to 100°F (38°C). Model 7603T is an ideal, cost-efficient solution for locations without access to a continuous potable water source. The unit provides approximately 10 usable gallons (37.9 liters) of water for effective rinsing. 120V electrical requirement with supplied 8' GFCI power cord. Additional HazLoc and 240V options available.



# Product Spotlight :: Emergency Equipment

## Model 7620

The AXION eyePOD is a faucet-mounted eyewash providing facilities with AXION MSR eyewash irrigation capabilities in an attractive, low cost, compact package.

### FEATURES:

**INVERTED DIRECTIONAL LAMINAR FLOW**  
Zero vertical velocity™ for maximum victim comfort.

**BUILT-IN THERMOSTATIC SAFETY VALVE**  
Automatically shuts off eyewash flows at 100°F (37°C), diverting all water out through the aerator at the bottom of the unit to prevent scalding of the eyes.



## Model 7501T

Gravity-fed, 9-gallon (34.1 L) tempered portable eyewash with a heated, insulated blanket to provide ANSI compliant tempered, potable water in ambient operating temperatures from -30°F (-34°C) to 100°F (38°C). Model 7501T is ideal for remote locations without access to a continuous potable water source. 120V electrical requirement with supplied 8' GFCI power cord. Additional HazLoc and 240V options available.

## Model 7656WCSM

Wheelchair accessible surface-mount unit features the AXION MSR eye/face wash. Stainless steel deep-drawn cabinet and surface-mount support enclosure, polished chrome-plated brass pull-down valve with easy access in-line strainer. Perfect for mounting on block or solid walls which cannot be cut into.



## EMERGENCY PARTS AND ACCESSORIES :: 2018

MODEL NUMBER	DESCRIPTION	LIST PRICE \$ USD	SHIP WT
<b>AXION ADVANTAGE® UPGRADE KITS</b>			
AX13	AXION Advantage® ABS plastic eye/face wash upgrade kit	180.00	5
AX13S	AXION Advantage® stainless steel eye/face wash upgrade kit	230.00	5
AX14	AXION Advantage® ABS plastic combo eye/face wash & shower upgrade Kit	282.00	5
AX14S	AXION Advantage® stainless steel combo eye/face wash & shower upgrade kit	485.00	5
<b>SHOWER AND EYEWASH VALVES</b>			
SP225	1/2" X 1/4" ball valve assembly with flag, horizontal mount	169.00	2
SP225LF	1/2" X 1/4" ball valve, less flag	138.00	1
SP226PCP	1/2" X 3/8" polished chrome-plated ball valve assembly with flag, vertical mount	318.00	2
SP227	1/2" X 3/8" ball valve assembly with flag, vertical mount	185.00	2
SP228	1/2" X 1/4" stainless steel ball valve assembly with flag, horizontal mount	335.00	2
SP229	1/2" X 1/2" ball valve assembly with flag, horizontal mount	164.00	2
SP229.158	1/2" X 1/2" ball valve assembly with flag, self draining, horizontal mount	400.00	2
SP232	1/2" X 1/2" stainless steel ball valve assembly with flag, horizontal mount	318.00	2
SP238	1/2" X 1/2" ball valve assembly with flag, vertical mount	169.00	2
SP248	Stay-open polished chrome-plated squeeze valve	313.00	2
SP260	1" chrome-plated brass shower ball valve for horizontal/vertical installation	205.00	3
SP260.158	1" chrome-plated brass self-draining shower ball valve for horizontal installation	250.00	3
SP265	1" stainless steel shower ball valve for horizontal/vertical installation	480.00	3
SP402	1/2" ball valve w/arm extension and flag	500.00	4
<b>FREEZE-RESISTANT SHOWER AND EYEWASH VALVES</b>			
MK8A	Freeze-protected eyewash valve, 3/4" (specify bury depth)	770.00	18
MK81A	Freeze-protected shower valve, 1-1/4" (specify bury depth)	935.00	23
<b>FREEZE AND SCALD PROTECTION VALVES</b>			
SP157B	Scald-protection valve	605.00	2
SP158B	Freeze-protection valve	605.00	2
SP158.8	Freeze-protection valve for 8300.158	610.00	3
SP158CTFP	Freeze-protection valve for 8317CTFP	610.00	3
<b>EMERGENCY VALVE REPAIR KITS</b>			
VRKEWSTR	Valve repair kit for eyewash strainers	43.00	1
VRKMK8A	Valve repair kit for MK8A valve	380.00	1
VRKMK81A	Valve repair kit for MK81A valve	390.00	2
VRKSP248	Valve repair kit for SP248 valve	79.00	1
VRK7650	Valve repair kit for pull-down eye/face washes	82.00	1
<b>SHOWER AND EYEWASH &amp; EYE/FACE WASH HEADS</b>			
SP11FC	PVC eyewash head with flow control	87.00	1
SP12	Soft PVC eyewash head w/nozzle	42.50	1
SP19	Plastic eyewash head for model 7500	79.00	1
SP21FC	Plastic eye/face wash head with flow control and integral flip-top dust cover	87.00	1
SP65	AXION® MSR eye/face wash head w/dust cover	159.00	1
SP65CTFP	AXION® MSR eye/face wash head with dust cover for CTFP models	180.00	1
SP65LP	AXION® MSR low-pressure eye/face wash head for overhead tank showers and self-contained units	65.00	1

## EMERGENCY PARTS AND ACCESSORIES :: 2018

MODEL NUMBER	DESCRIPTION	LIST PRICE \$ USD	SHIP WT
<b>SHOWER AND EYEWASH &amp; EYE/FACE WASH HEADS CONTINUED</b>			
SP65PD	AXION® MSR eye/face wash head w/dust cover for lab pull down models	159.00	1
SP65SS	AXION® MSR stainless steel eye/face wash head w/dust cover	205.00	2
SP829	AXION® MSR 1" NPT ABS plastic showerhead	108.00	1
SP829HPS	AXION® MSR 1" NPT high-polish stainless steel showerhead	355.00	3
SP829SS	AXION® MSR 1" NPT stainless steel showerhead	255.00	3
<b>EYEWASH BOWLS</b>			
SP90	Stainless steel eyewash bowl	128.00	3
SP93	ABS plastic eyewash bowl	84.00	2
<b>EYEWASH AND BOWL COVERS</b>			
9091	Dust cover for SP65 AXION® MSR	20.50	1
9094(PAIR)	Dust cover for SP12 Soft-Flo heads	18.50	1
9095(PAIR)	Dust cover for SP10, SP11, SP11FC & SP18 Soft-Flo heads	19.00	1
9102	Stainless steel bowl cover	255.00	4
<b>SHOWER PULL RODS</b>			
SP200	28" long stainless steel pull rod	88.00	1
SP202	44" long stainless steel pull rod	99.00	2
SP204	56" long stainless steel pull rod	155.00	2
SP206	Pull rod for doorway	155.00	2
<b>EMERGENCY SIGNS</b>			
9020	3-sided sign for combination units	220.00	6
SP175	Universal emergency eyewash sign	15.40	1
SP176	Universal emergency body spray sign	25.75	1
SP177	Universal emergency shower sign	15.40	1
SP178	Universal emergency shower & eyewash sign	16.45	1
SP178LG	Universal emergency shower & eyewash sign – large	92.00	1
<b>WATER ADDITIVE</b>			
9082	Sterile bacteriostatic additive (4/case)	58.00	2
9084	Cleansing stick for self-contained units	1069.00	5
<b>MISCELLANEOUS SAFETY PARTS AND ACCESSORIES</b>			
9008	Transportation cart for models 7601.15, 7601.37, 7603	400.00	118
9009	Wastewater container – 20 gallon	170.00	61
9010	Shower testing sock	118.00	3
9011	Full ANSI compliance testing kit	225.00	5
9015	Plastic eyewash gauge (quantity of 1)	15.00	1
9037	Modesty curtain	665.00	17
9040	Modesty curtain for the 8605WC	255.00	3
9070	Filter for eye/face washes	205.00	4
9070C	Cartridge for 9070 filter	58.00	1
9125	Thermal protection jacket for the 7500	565.00	3
SP8	Stainless steel bend for eyewash head assembly	47.00	1
SP42	Flow control for SP248 squeeze valve	53.50	1
SP75	Floor flange CRP coated	180.00	8
SP80	Wall-mounting bracket for eyewash units	144.00	2
SP95	Waste trap for wall-mounted eye/face units	74.00	2

## EMERGENCY PARTS AND ACCESSORIES :: 2018

MODEL NUMBER	DESCRIPTION	LIST PRICE \$ USD	SHIP WT
<b>MISCELLANEOUS SAFETY PARTS AND ACCESSORIES CONTINUED</b>			
SP131	Filler cap for 7500, 7501 and 7501T	42.00	1
SP140	8' rubber hose w/swivel fitting	145.00	3
SP142	6' rubber hose	151.00	2
SP154DPDT	Double pole-double throw flow switch	1000.00	7
SP155	Temperature control thermostat	210.00	1
SP170	Test record tag, package of 25	56.00	1
SP185	Green & yellow stripe for high visibility	10.30	1
SP212	Chrome-plated vacuum breaker	220.00	1
SP216	Push flag for eyewash valves	58.50	1
SP218	Push plate for freeze-protected valves	235.00	6
SP220	Foot treadle assembly	128.00	2
SP220SS	Stainless steel foot treadle assembly	205.00	3
SP220W	Foot treadle assembly, wall mounted	195.00	3
SP509	1/4" x 1/2" 90-degree eyewash strainer	51.00	1
SP509SS	1/4" x 1/2" stainless steel 90-degree eyewash strainer	200.00	1

# PRODUCT REFERENCE GUIDE :: EMERGENCY PARTS AND ACCESSORIES

PRODUCT MODEL	EYEWASH VALVE	SHOWER VALVE	EYEWASH	STRAINER	BOWL	PULL ROD	SHOWERHEAD
7260B-7270B*	SP229		SP65	SP509	SP93		
7261-7271*	SP229		SP65	SP509	SP93		
7324	SP238						
7360B-7460B*	SP229		SP65	SP509	SP90		
7360BTWC*	SP229		SP65	SP509	SP90		
7361-7461*	SP229		SP65	SP509	SP90		
7433FP					SP90		
7460*	SP229		SP65	SP509	SP90		
7500			SP19 (2ea)				
7501			SP19 (2ea)				
7601.15	SP238						
7601.37	SP248						
7603	SP238						
7610			SP65PD				
7611							
7612	SP226PCP						
7612LH							
7655WCC			SP65PD				
7655WCSM			SP65PD				
7656WCC			SP65PD				
7656WCSM			SP65PD				
7777	SP232		SP65SS	SP509SS	SP90		
7778B	SP232		SP65SS	SP509SS	SP90		
8904	SP248						
8905	SP248						
8100		SP260				SP200	SP829
8111FP							SP829
8122		SP260				SP200	SP829
8122HWC						SP204	SP829
8123		SP260				SP200	SP829SS
8130		SP265				SP200	SP829
8133H		SP260SS				SP200	SP829SS
8163						SP206	SP829HPS
8164							SP829HPS
8169						SP202	SP829HPS
8300.158	SP229.158	SP260.158			SP90	SP200	SP829
8300-8309*	SP225	SP260	SP65	SP509	SP90	SP200	SP829
8300CRP-8309CRP*	SP225	SP260	SP65	SP509	SP90	SP200	SP829
8300FP	MK8A	MK81A			SP90		SP829
8309WC	SP225		SP65	SP509	SP509	SP202	SP829

• model can use optional bowl cover, model 9102

# PRODUCT REFERENCE GUIDE :: EMERGENCY PARTS AND ACCESSORIES

MODEL	EYEWASH VALVE	SHOWER VALVE	EYEWASH	STRAINER	BOWL	PULL ROD	SHOWERHEAD
<b>8317</b>	SP238	SP260				SP200	SP829
<b>8317CTFP</b>	SP229	SP260	SP65CTFP			SP200	SP829
<b>8317CFP.220V</b>	SP229	SP260	SP65CTFP			SP200	SP829
<b>8317CTFP-C1D1</b>	SP229	SP260	SP65CTFP			SP200	SP829
<b>8320-8325*</b>	SP225	SP260	SP65	SP509	SP93	SP200	SP829
<b>8320CRP*</b>	SP225	SP260	SP65	SP509	SP93	SP200	SP829
<b>8330*</b>	SP228	SP265	SP65SS	SP509SS	SP90	SP200	SP829SS
<b>8336</b>	SP228	SP265	SP65		SP93	SP200	SP829
<b>8355WCC</b>			SP65PD				SP829SS
<b>8355WCDD</b>			SP65PD				SP829SS
<b>8356WCC</b>			SP65PD				SP829SS
<b>8356WCDD</b>			SP65PD				SP829SS
<b>8356WCSM</b>			SP65PD				SP829SS
<b>8356WCW</b>			SP65PD				SP829SS
<b>8605WC</b>	SP229.158	SP829				SP202	SP829

• model can use optional bowl cover, model 9102

**US/Canada**

Haws HQ • [www.hawsc.com](http://www.hawsc.com) • +1.888.640.4297

**Mexico/Central America**

Haws HQ • [www.hawsc.com](http://www.hawsc.com) • +1.775.359.4712

**South America**

Haws Avlis • [www.hawsavlis.com.br](http://www.hawsavlis.com.br) • +55.11.4813.9977

**Asia Pacific**

Haws Singapore • [www.haws.sg](http://www.haws.sg) • +65.6367.0359

Haws China • [www.haws.sg](http://www.haws.sg) • +86.510.8522.6533

Haws India • [www.hawsc.in](http://www.hawsc.in) • +91.124.494.2050

**Europe/Middle East/Africa**

Haws Switzerland • [www.haws.ch](http://www.haws.ch) • +41 (0) 34.420.6000

Haws Germany • [www.hawsgmbh.de](http://www.hawsgmbh.de) • +49 (0) 2405.21055



1455 KLEPPE LANE :: SPARKS, NV 89431  
[www.hawsc.com](http://www.hawsc.com) :: 1.888.640.4297 :: +1.775.359.4712 :: fax: 1.775.359.7424 :: email: [info@hawsc.com](mailto:info@hawsc.com)