

FEATURES & BENEFITS

QUALITY

Bubbler is pre-built and fully water and pressure tested to ensure no leaks and proper function for reduced installation time and added peace of mind.

BUBBLER VALVE

Polished stainless steel cartridge valve which allows for top access stream adjustment as well as cartridge and strainer access, and is designed with a shielded, anti-squirt orifice that provides a steady sanitary source of water.

OPTIONS

For more information, visit www.hawsc.com or call (888) 640-4297.



SPECIFICATIONS

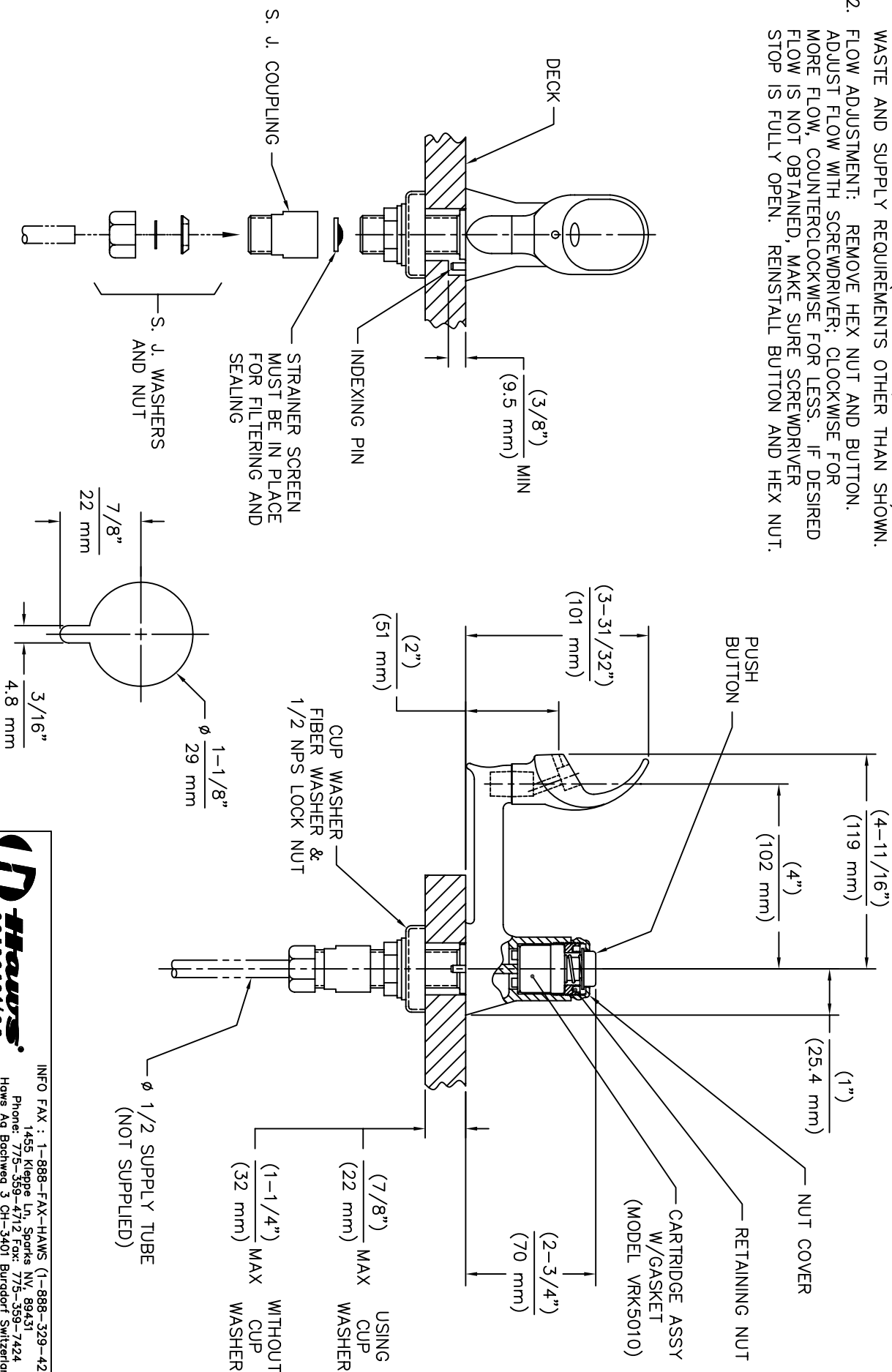
Model 5017LF deck mounted bubbler valve shall include a polished chrome-plated brass base with integral cartridge valve with stream flow regulation, polished chrome-plated brass bubbler head, and 1/2" O.D. (1.3 cm) slip-joint inlet.

APPLICATIONS

Perfect for either public or private indoor settings, the 5017LF is a great fit in areas where a countertop is in close proximity to a sink/bowl. Specifically, this type of deck mounted drinking faucet may be placed in settings such as: schools, classrooms, laboratories, and other facilities where the need for a deck mounted sink/faucet is present. This product meets ADA requirements, and Haws manufactures drinking fountains and electric water coolers to be lead-free by all known definitions including NSF/ANSI Standard 61, Section 9, NSF/ANSI 372, California Proposition 65, and the Federal Safe Drinking Water Act.

NOTES:

1. WHEN INSTALLING THIS UNIT, LOCAL, STATE OR FEDERAL CODES SHOULD BE ADHERED TO FOR INSTALLATION PARAMETERS (DIMENSIONS, LOCATIONS) AND WASTE AND SUPPLY REQUIREMENTS OTHER THAN SHOWN.
2. FLOW ADJUSTMENT: REMOVE HEX NUT AND BUTTON. ADJUST FLOW WITH SCREWDRIVER; CLOCKWISE FOR MORE FLOW, COUNTERCLOCKWISE FOR LESS. IF DESIRED FLOW IS NOT OBTAINED, MAKE SURE SCREWDRIVER STOP IS FULLY OPEN. REINSTALL BUTTON AND HEX NUT.



MOUNTING HOLE

SCALE: 2/1

Haws Corporation

INFO FAX : 1-888-FAX-HAWS (1-888-329-4297)

1455 Kleppe Ln, Sparks, NV, 89431
 Phone: 775-355-4715
 Fax: 775-355-7424

Haws AG, Buehlerstr. 3, CH-3401 Burgdorf, Switzerland
 Haws Wfg Pte Ltd, 74 Sungei Kadut Loop, Singapore 729531
 e-mail: Haws@hawsco.com website: www.hawsco.com

FORM NO. 5017LF
 DATE: 07/99
 MODEL(S): 5017LF
 INFO FAX DOC # 250173
 SCALE: 1:3
 DRAWING TYPE: INSTALLATION/FABRICK

REV. 1 OF 1