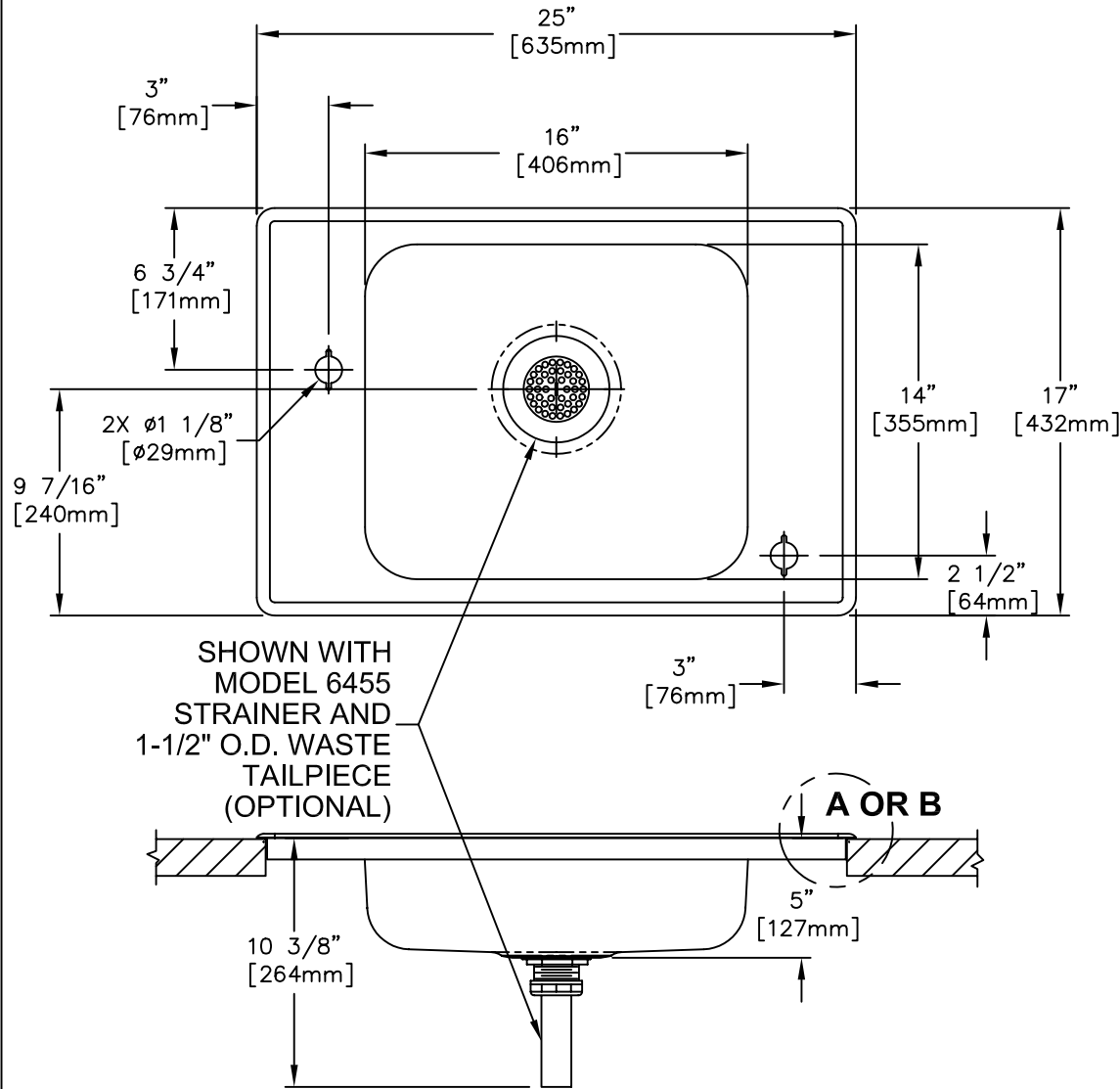
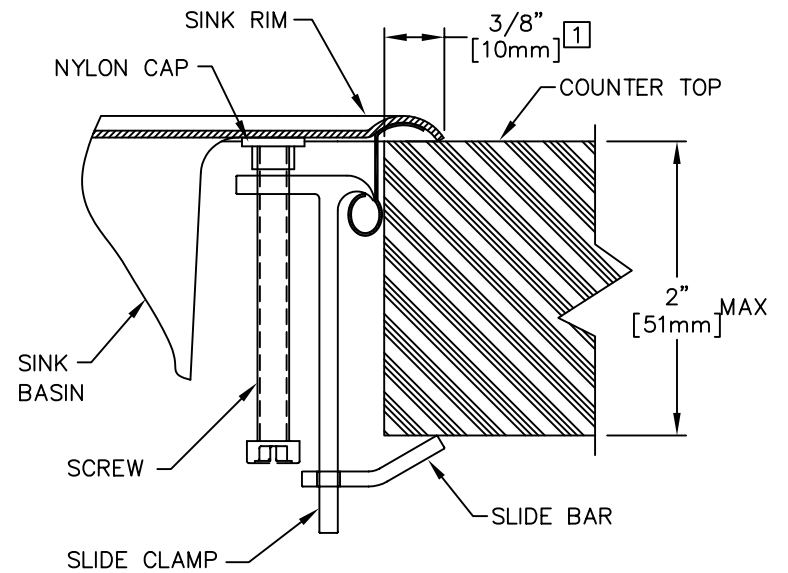
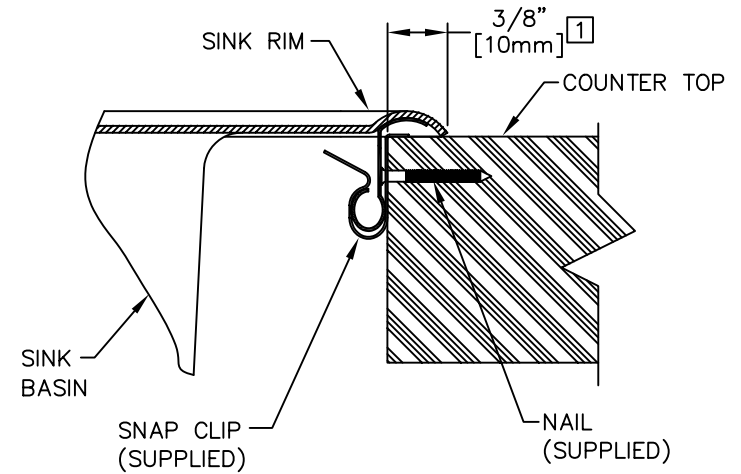


THIS DOCUMENT IS TRUE AND CORRECT AT TIME OF PUBLICATION. CONTINUED PRODUCT IMPROVEMENTS MAKE SPECIFICATIONS AND MEASUREMENTS SUBJECT TO CHANGE WITHOUT NOTICE.



NOTE:

- 1 MAKE SURE CUTOUT IS 3/8" LESS THAN SINK RIM AROUND ALL EDGES.
CAUTION: DO NOT CUT HOLE IN COUNTERTOP UNTIL SINK IS AT HAND.



			1455 KLEPPE LANE SPARKS, NEVADA 89431 (775) 359-4712 FAX (755) 359-7424 E-MAIL: HAWS@HAWS.CO.COM WEBSITE: WWW.HAWS.CO.COM	
ECN NO:	REVISED PER BY:	MODEL(S)	PART NUMBER	
4210	ECN: 4603 HM		0002077501.D	
DRAWN:	DATE:	CHKD:	DRAWING NO.	REV
CJL	04/93		02042C00	17
APPROVED:	DATE:	SCALE: 1:8	DRAWING TYPE: ENVELOPE	SIZE: A SHEET 1 OF 1