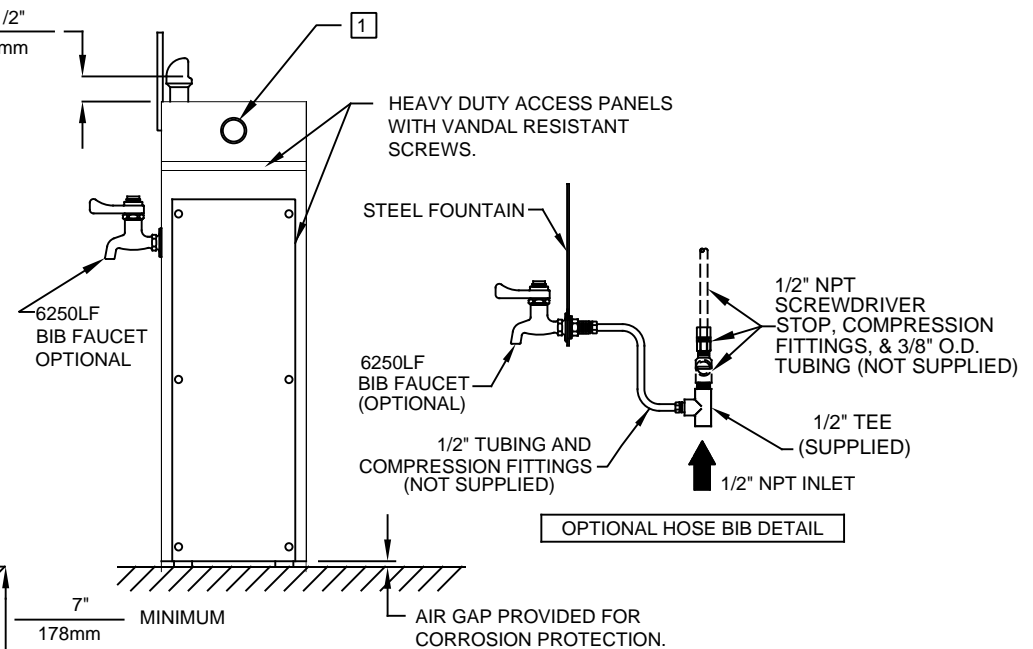
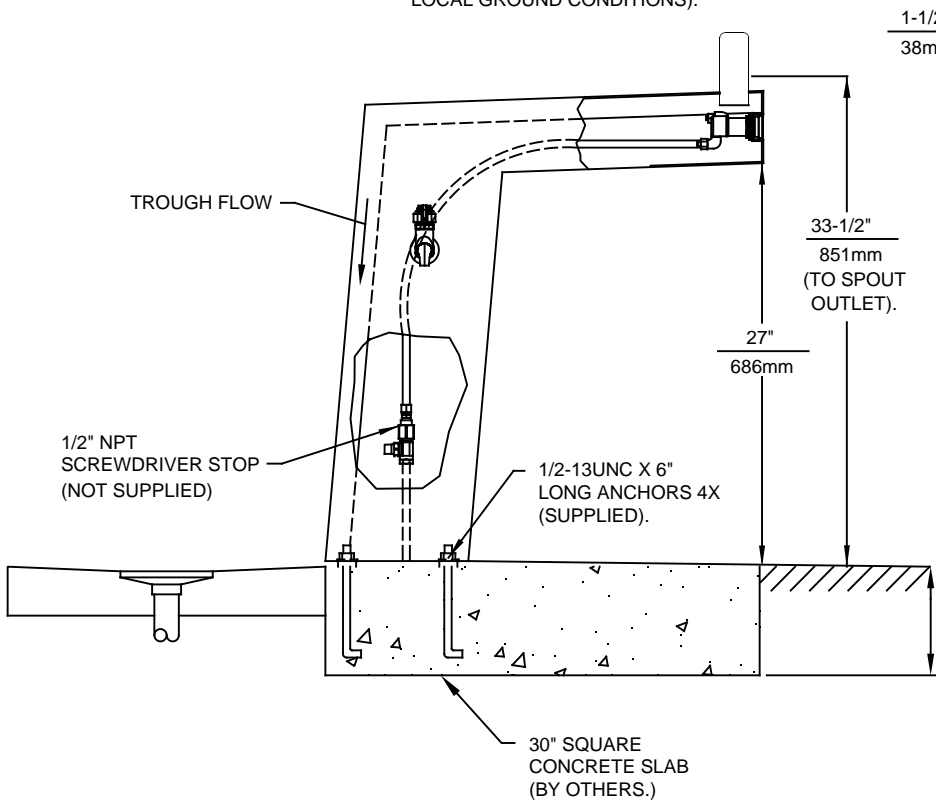


MOUNTING DETAIL

IMPORTANT: ATTENTION INSTALLER

USE CARE TO AVOID KINKS WHEN ROUTING SUPPLY LINE TO VALVE AND FROM VALVE TO BUBBLER



NOTES:

1 REFER TO 5874 SERIES OPERATION AND MAINTENANCE MANUAL FOR PUSH BUTTON AND VALVE INSTALLATION/MAINTENANCE INSTRUCTIONS.

Haws T&S BRASS AND BRONZE WORKS, INC. 1455 KLEPPE LANE, SADDLE BROOK, N.J. 07641
 2 Saddlebrook Ave., P.O. Box 1084, Fairview, NJ 07643
 TEL: 201-261-9900 FAX: 201-261-9901
 E-MAIL: HAWS@HAWSCO.COM WEBSITE: WWW.HAWSCO.COM

RELIABILITY BUILT IN

ECN NO. REVISED PER BY:	MODEL(S)	PART NUMBER
ECN: 5189 JP	3202/3202G	0002077328.D
DRAWN: C. HAYES	DATE: 11/91	CHKD.: VWC
APPROVED: FV	DATE: 07/07/17	SCALE: 1:14
DRAWING TYPE: INSTALLATION		SIZE: A
SHEET 1 OF 1		REVISION 24