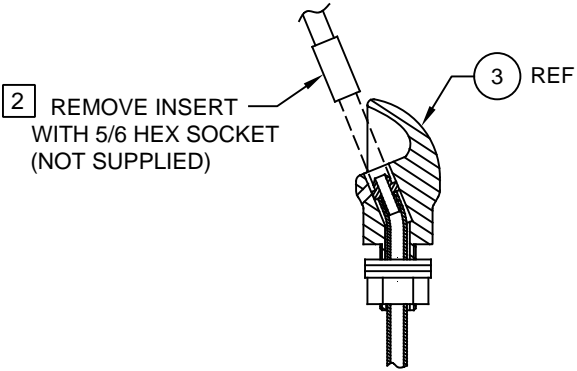
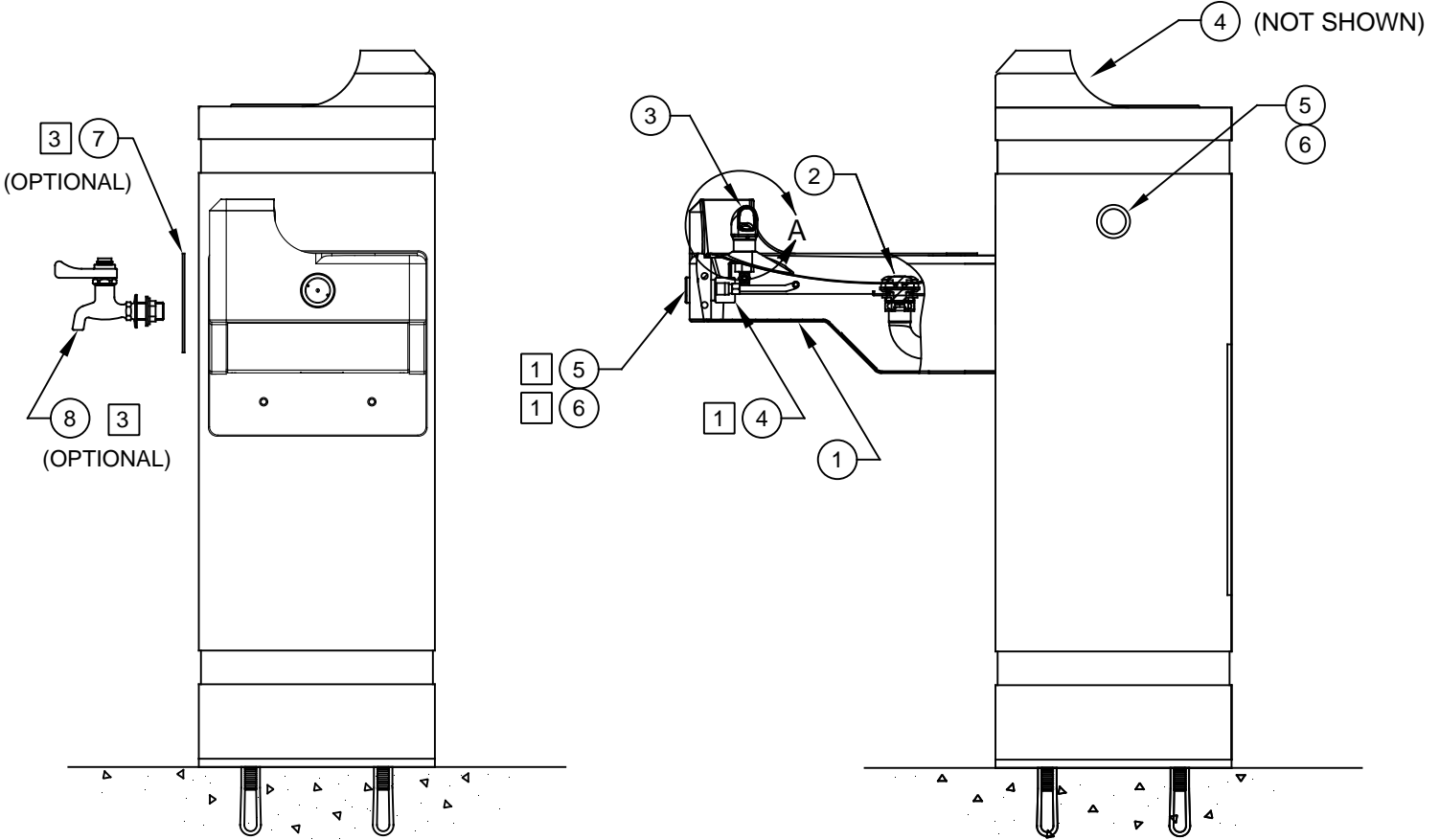


| ITEM | DESCRIPTION | PART NO. |
|------|----------------------------------|------------|
| 1 | BOTTOM PLATE | PBM1047 |
| 2 | STRAINER ASSY | 6466 |
| 3 | BUBBLER HEAD | 5703M |
| 4 | BUTTON, PUSH, RECESSED, W/ VALVE | 5874PB |
| 5 | VALVE REPAIR KIT | VRK5874 |
| 6 | BUTTON, PUSH, ASSY, F/ 5874 | PBA7 |
| * 7 | ACCESS PLATE, W/ HOLE | 0004499489 |
| * 8 | BIB FAUCET, SELF CLOSING | 6250LF |

* DENOTES OPTIONAL PART.

NOTES:


- 1 5874PB (ITEM 4) INCLUDES VRK5874 CARTRIDGE ASSEMBLY (ITEM 5) AND PBA7 RECESSED PUSH BUTTON (ITEM 6).
- 2 ENSURE TUBE IS DISCONNECTED FROM PUSH BUTTON VALVE BODY PRIOR TO REMOVAL. APPLY ONE DROP OF LOCTITE 222MS TO NOZZLE THREADS PRIOR TO FASTENING BACK ONTO BUBBLER HEAD. RE-ATTACH TUBE TO VALVE.
- 3 USE MODEL 6250LF WITH ACCESS PLATE, PN 0004499489.



DETAIL A
ROTATED 90° INTO VIEW

PARTS BREAKDOWN

WHEN ORDERING PARTS PLEASE SPECIFY MODEL NUMBER.

| | | | |
|---|-------------|---|----------------------|
|  | | 1455 KLEPPE LANE SPARKS, NEVADA 89431 (775) 359-4712 FAX (775) 359-7424 E-MAIL: HAWS@HAWSCO.COM WEBSITE: WWW.HAWSCO.COM | |
| ECN NO. | REVISED PER | BY | MODEL(S) |
| | ECN: 5187 | JP | 3150 |
| DRAWN | DATE | CHKD | PART NUMBER |
| D. OLLOM | 11/25/95 | VWC | |
| APPROVED | DATE | | REVISION |
| FV | 07/06/17 | | 25 |
| SCALE: 1:4 | | DRAWING TYPE: PARTS BREAKDOWN | SIZE: A SHEET 1 OF 1 |