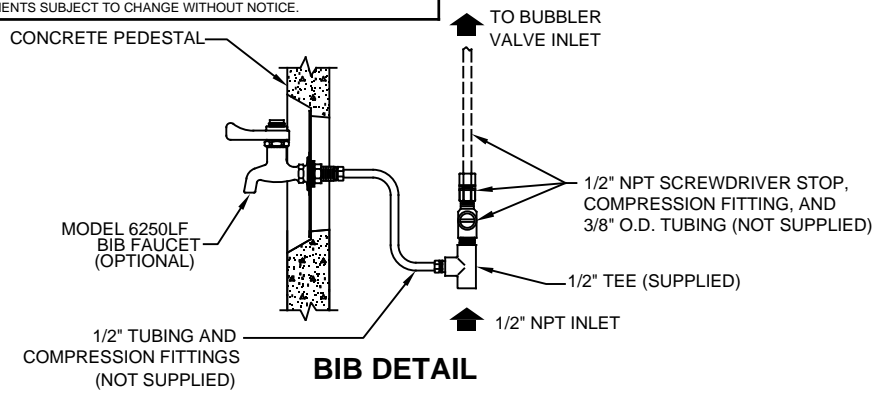
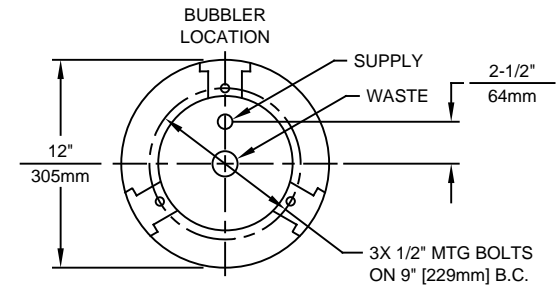


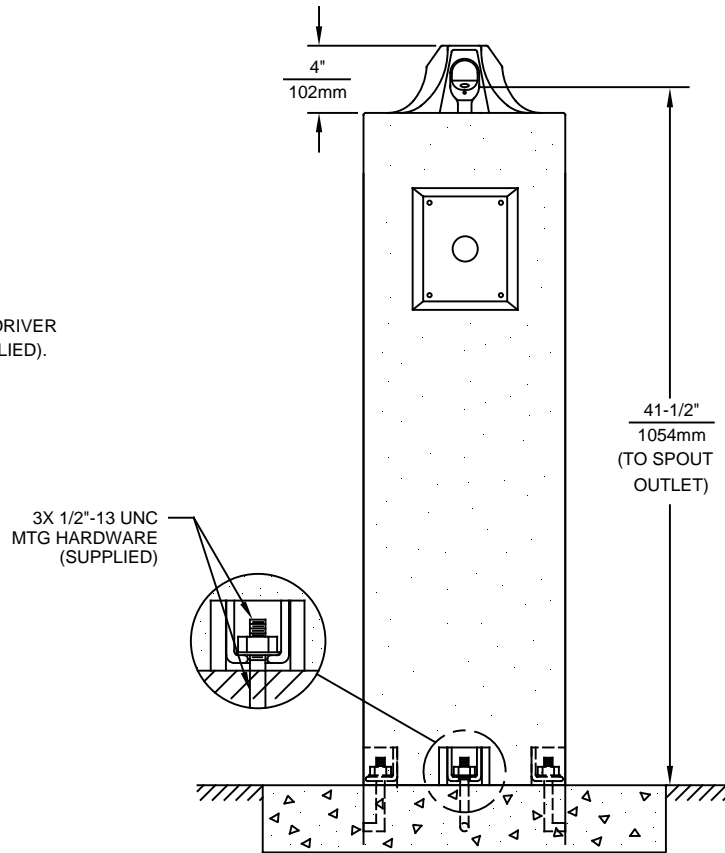
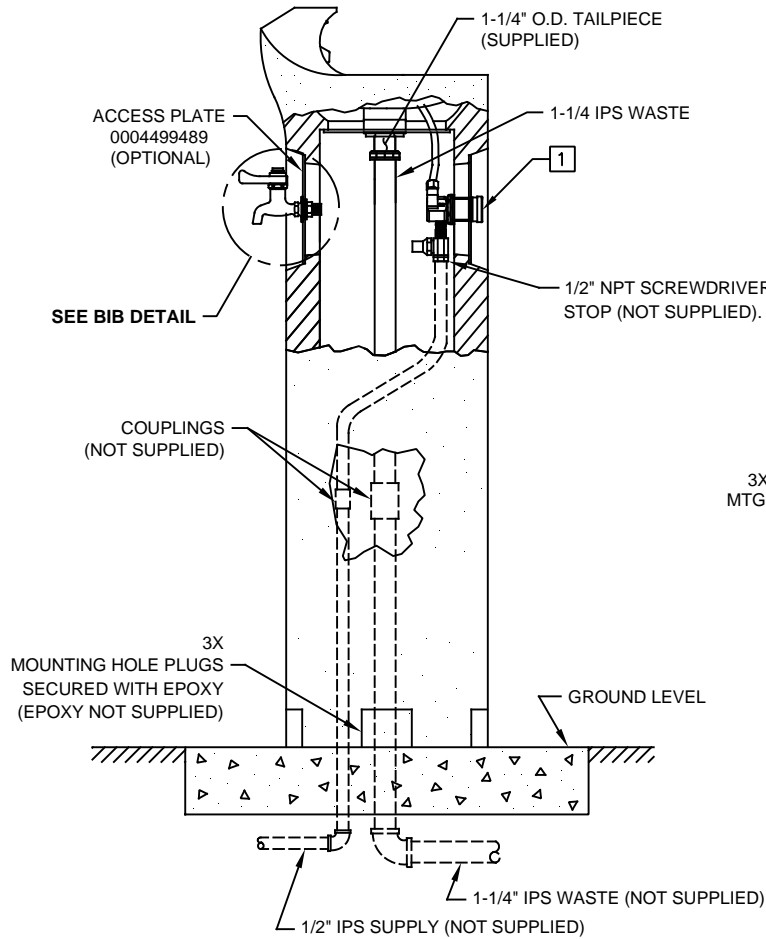
THIS DOCUMENT IS TRUE AND CORRECT AT TIME OF PUBLICATION. CONTINUED PRODUCT IMPROVEMENTS MAKE SPECIFICATIONS AND MEASUREMENTS SUBJECT TO CHANGE WITHOUT NOTICE.



**BIB DETAIL**



**MOUNTING DETAIL**



**NOTES:**

1 REFER TO 5874 SERIES OPERATION AND MAINTENANCE MANUAL FOR PUSH BUTTON AND VALVE INSTALLATION/MAINTENANCE INSTRUCTIONS.

		1455 KLEPPE LANE SPARKS, NEVADA 89431 (775) 359-4712 FAX (775) 359-7424 E-MAIL: HAWS@HAWSCO.COM WEBSITE: WWW.HAWSCO.COM	
		ECN NO. REVISED PER BY: MODEL(S) ECN: 5187 JP	3060
DRAWN: RF APPROVED: FV	DATE: 08/90 DATE: 07/06/17	CHKD.: VWC	REVISION 17
SCALE: 12:1		DRAWING TYPE: INSTALLATION	SIZE: A SHEET 1 OF 1