

SUBMITTAL DRAWING

DATE: 05/03/05

SUBMITTED BY:

JOB NAME: _____

LOCATION: _____

ARCHITECT: _____

ENGINEER: _____

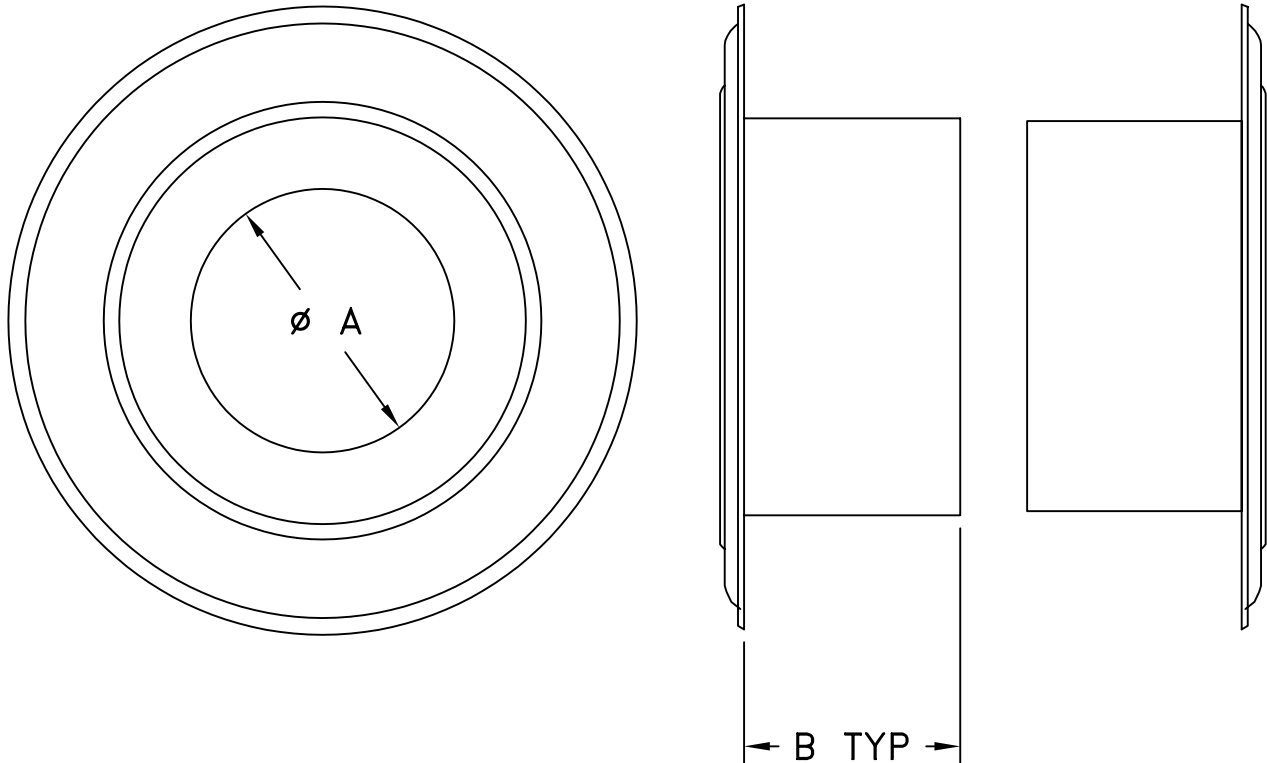
CONTRACTOR: _____

Type B Gas Vent

WALL THIMBLE

3" - 12" DIAMETER

DRAWING #: B1-23



PART NO.	SIZE	HOLE ϕ A	LENGTH B
3EWT	3"	3-9/16"	3-1/16"
4EWT	4"	4-9/16"	3-1/16"
5EWT	5"	5-9/16"	3-1/16"
6EWT	6"	6-9/16"	3-1/4"
7RWT	7"	8-1/16"	3-1/4"
8RWT	8"	9-1/16"	3-1/4"
9RWT	9"	10-1/16"	3-1/4"
10RWT	10"	11-1/16"	3-1/4"
12RWT	12"	13-1/16"	3-1/4"



• MATERIAL:
.018 THICK, GALVANIZED STEEL