

Metris S
Metris S Electronic Faucet with Preset Temperature Control
 Finishes : **chrome** Part no. : **31101001**



Description

Features

- Infrared sensor
- Battery operated (battery type 6V CR-P2, included) with low battery indicator
- Aerated spray
- Pop-up assembly not included
- 3/8" hoses

Item details

List Price \$ 700.00

Technology



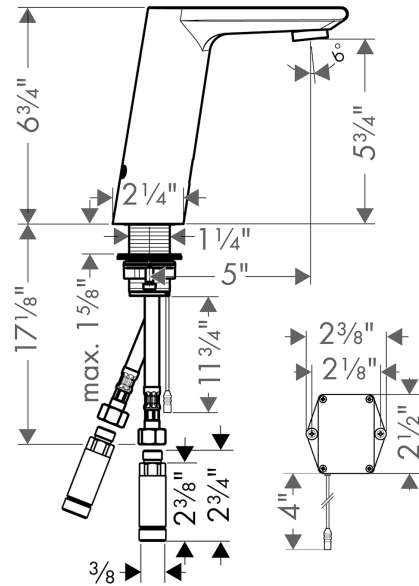
Compliance



Product image



Scale drawing

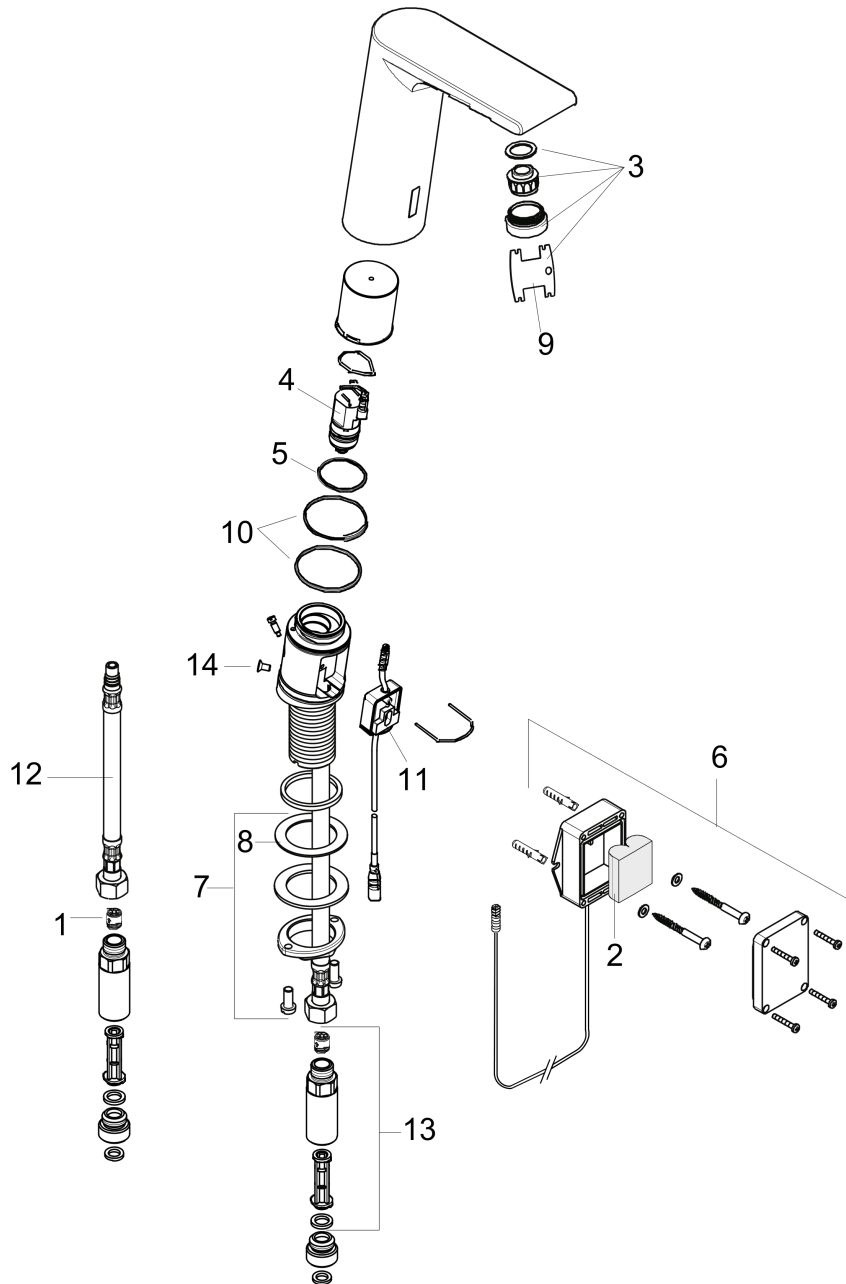


Metris S
Metris S Electronic Faucet with Preset Temperature Control
Finishes : **chrome** Part no. : **31101001**



Exploded drawing

Year of production: >04/17



Metris S

Metris S Electronic Faucet with Preset Temperature Control

Finishes : **chrome** Part no. : **31101001**



Spare parts list

Year of production: >04/17

Pos.	Description	Part no.	Price	PU
1	non return valve DW 10	96456000	-	1
2	battery	97399000	-	1
3	aerator M24x1 (5 l/min)	98802000	-	1
4	solenoid valve	95654000	-	1
5	O-ring 31x2	98204000	-	1
6	battery box	98801000	-	1
7	fixing set	97812000	-	1
8	lever collar	97548000	-	1
9	service tool	98808000	-	1
10	O-ring 41x2	98212000	-	1
11	electronics	92346000	-	1
12	connection hose 450 mm	92345001	-	1
13	back flow preventor cartridge with microfilter	92297000	-	1
14	screw	93272000	-	1
a	aerator M24x1 (1,9 l/min)	93080000	-	1