

Rough, Quattro Green 3-Way Diverter (no shared function), 3/4"

Finishes : n.a. Part no. : 15936181



Description

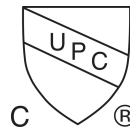
Features

- 1 inlet, 3 outlets (no shared function)
- 3/4" NPT
- Requires volume control
- Ceramic cartridge
- Flow: 17 GPM

Item details

List Price \$ 247.00

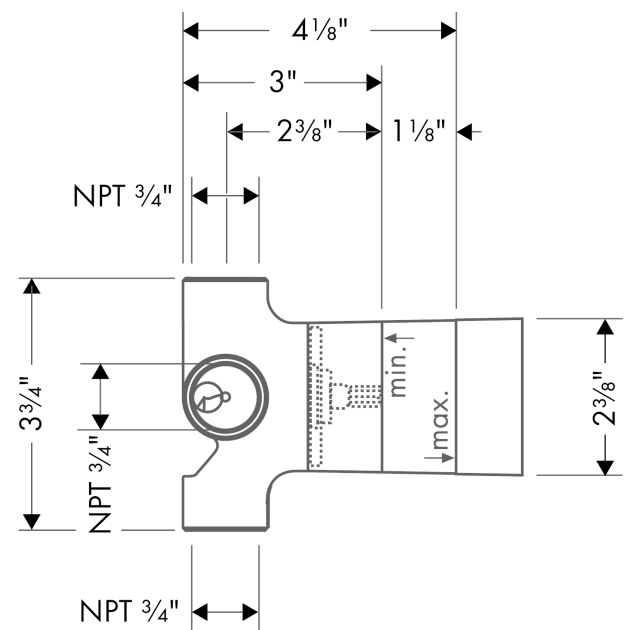
Compliance



Product image



Scale drawing

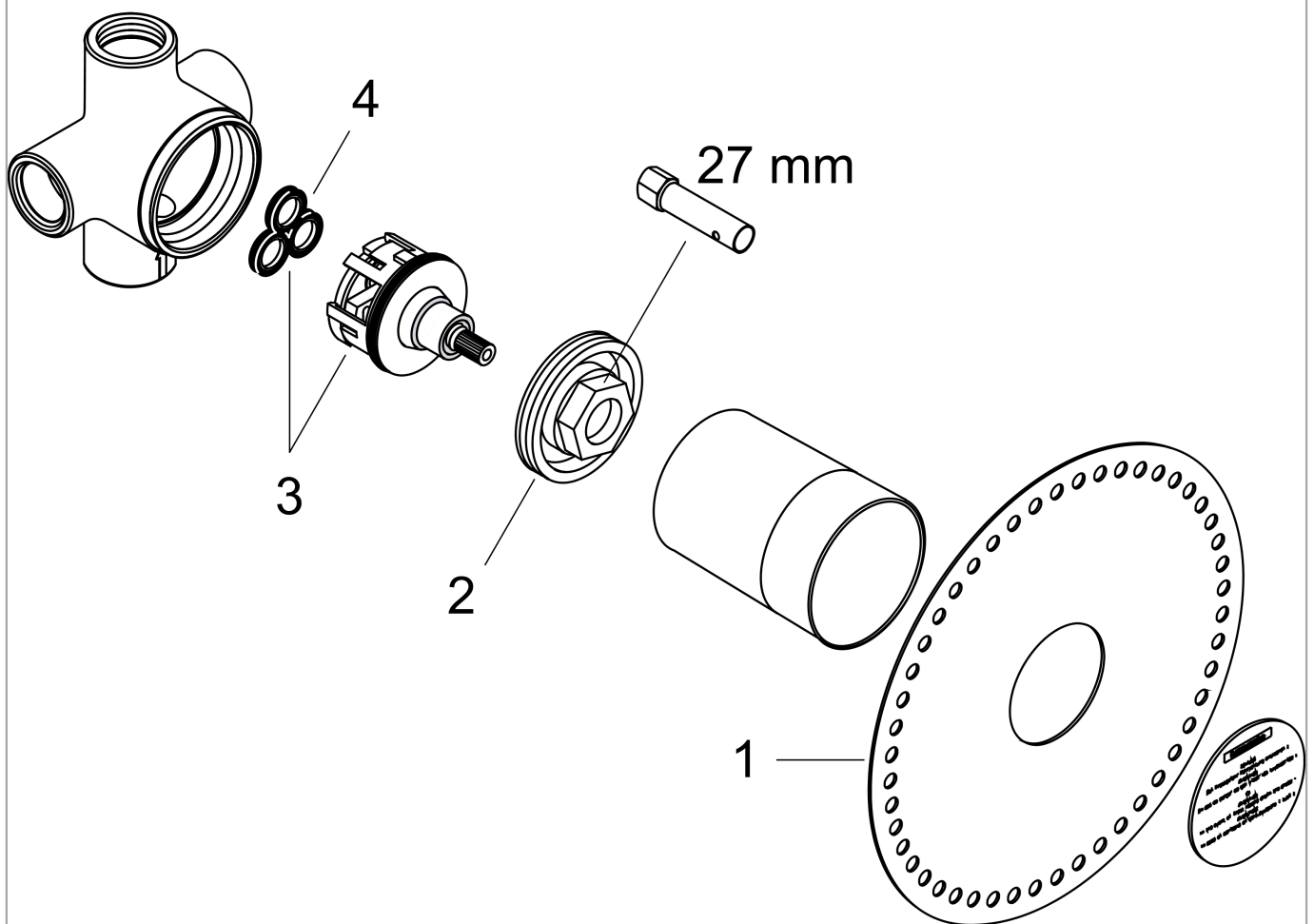


Rough, Quattro Green 3-Way Diverter (no shared function), 3/4"
Finishes : n.a. Part no. : 15936181



Exploded drawing

Year of production: >04/12



Rough, Quattro Green 3-Way Diverter (no shared function), 3/4"
 Finishes : n.a. Part no. : **15936181**



Spare parts list

Year of production: >04/12

Pos.	Description	Part no.	Price	PU
1	sealing foil	96493000	-	1
2	nut	97550000	-	1
3	diverter unit	96604001	-	1
4	sealing set	98798000	-	1