

## Ecostat

### Thermostatic Trim S/E with Volume Control and Diverter

Finishes : **chrome** Part no. : **04353000**



#### Description

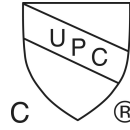
##### Features

- Volume control and diverter for 2 outlets
- Thermostatic cartridge, Shut-off/diverter valve
- Anti-scald 100° safety stop

#### Item details

List Price \$ 566.00

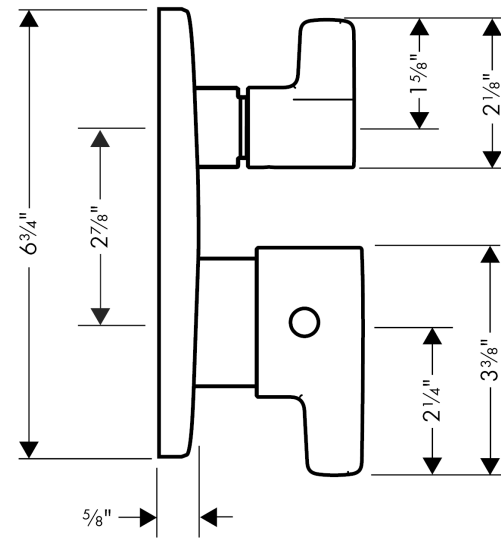
#### Compliance



#### Product image



#### Scale drawing



## Ecostat

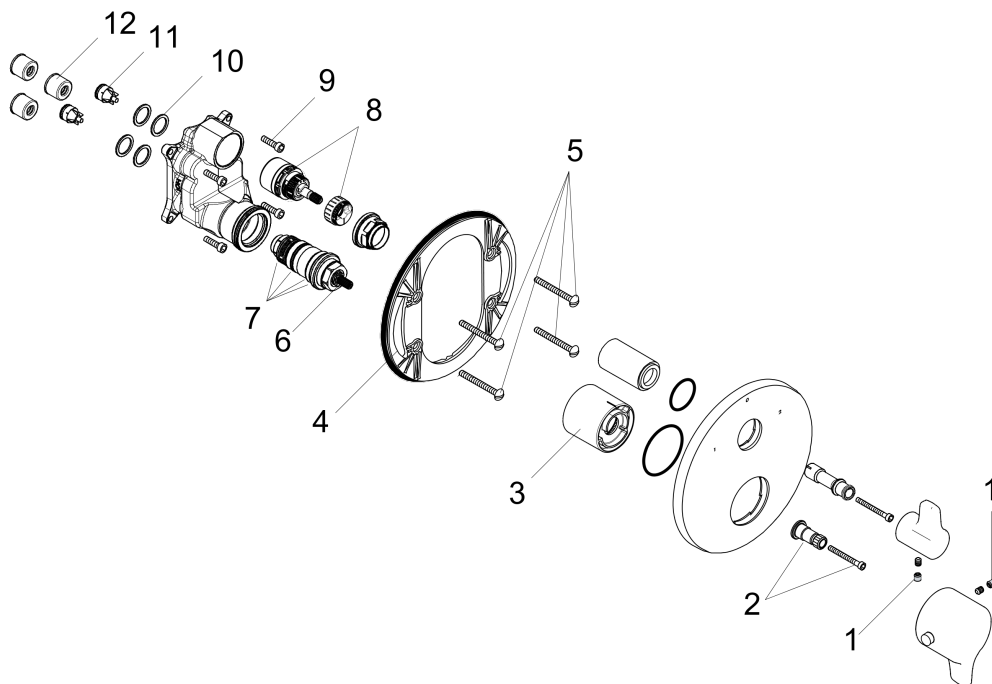
Thermostatic Trim S/E with Volume Control and Diverter

Finishes : **chrome** Part no. : **04353000**



### Exploded drawing

Year of production: >07/11



## Ecostat

### Thermostatic Trim S/E with Volume Control and Diverter

Finishes : **chrome** Part no. : **04353000**



#### Spare parts list

Year of production: >07/11

Pos.	Description	Part no.	Price	PU
1	screw cover	95181000	-	1
2	adapter for handle	96435000	-	1
3	sleeve	95550000	-	1
4	sub plate	96447000	-	1
5	set of fixing screws	96454000	-	1
6	thermostat cartridge	94282000	-	1
7	sealing set	95037000	-	1
8	shut off unit with selector	98283000	-	1
9	set of screws	96525000	-	1
10	O-ring 16x2	98133000	-	1
11	set of non return valves DW 15	97350000	-	1
12	noise reduction	94073000	-	1
a	escutcheon Ø 170 mm	96552001	-	1
b	sleeve	95253000	-	1
c	adapter for handle	88772000	-	1
d	extension 25 mm	13595000	-	1
e	extension 22 mm (Ø 170 mm)	13596000	-	1