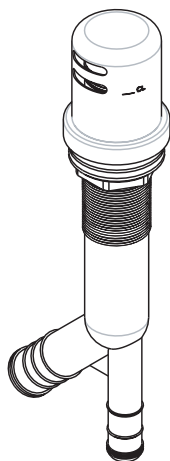


Installation Instructions

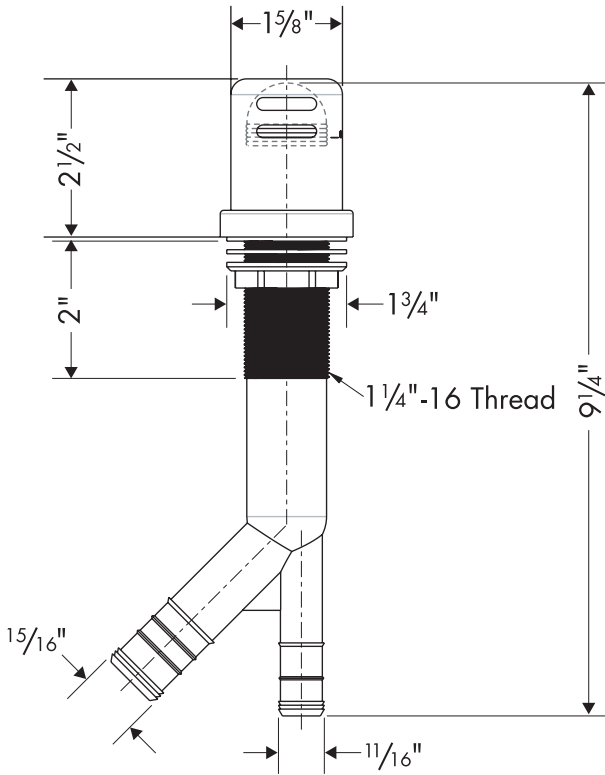


Hansgrohe
04214XX0

hansgrohe

Kitchen Air Gap

04214XX0



Technical Information

Hole size in mounting surface	$1\text{-}\frac{3}{8}$ "
Max. mounting surface depth	$1\text{-}\frac{3}{8}$ "

Installation Considerations

- For best results, Hansgrohe recommends that this unit be installed by a licensed, professional plumber.
- Please read over these instructions thoroughly before beginning installation. Make sure that you have all tools and supplies needed to complete the installation.
- Know and follow all applicable local codes when installing this air gap.

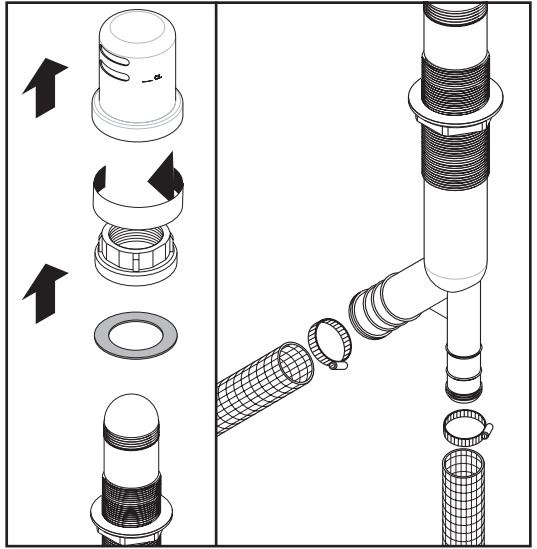
Installation

Remove the cover, collar, and sealing ring from the air gap.

Rotate the nut clockwise to lower it on the air gap.

Install a 5/8" dishwasher drain hose on the 11/16" leg. Secure it with a hose clamp. Tighten the clamp.

Install a 7/8" garbage disposal hose to the 15/16" leg. Secure it with a hose clamp. Tighten the clamp.



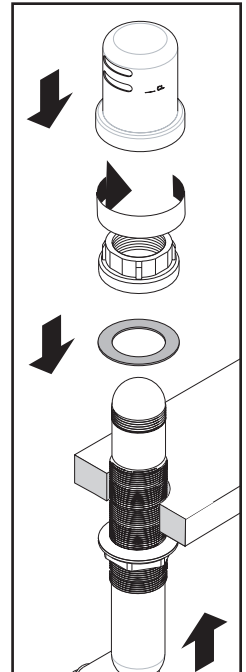
Insert the air gap up through the hole in the mounting surface.

Install the sealing ring and collar.

Approximately 2 3/8" of the air gap should extend above the mounting surface.

Tighten the nut.

Push the cover into place.



Cleaning Recommendation for Hansgrohe Products

Modern lavatory faucets, kitchen faucets, and showers consist of very different materials to comply with the needs of the market with regard to design and functionality. To avoid damage and returns, it is necessary to consider certain criteria when cleaning.

Cleaning Materials for Faucets and Showers

Acids are a necessary ingredient of cleaning materials for removing lime, however please pay attention to the following points when cleaning faucets and showers:

- Only use cleaning materials which are explicitly intended for this type of application.
- Never use cleaning materials which contain hydrochloric, formic, phosphoric, or acetic acid, as they cause considerable damage.
- Never mix one cleaning material with another.
- Never use cleaning materials or appliances with an abrasive effect, such as unsuitable cleaning powders, sponge pads, or micro fiber cloths.

Cleaning Instructions for Faucets and Showers

Please follow the cleaning material manufacturer's instructions. In addition, pay attention to the following points:

- Clean the faucets and showers as and when required
- Use the amount of cleaning product and the amount of time recommended by the manufacturer. Do not leave the cleaner on the fixture longer than necessary.
- Regular cleaning can prevent calcification.
- When using spray cleaners, spray first onto a soft cloth or sponge. Never spray directly onto the faucet as droplets can enter openings and gaps and cause damage.
- After cleaning, rinse thoroughly with clean water to remove any cleaner residue.

Important

Residues of liquid soaps, shampoos, and shower foams can also cause damage, so rinse with clean water after using.

Please note: if the surface is already damaged, the effect of cleaning materials will cause further damage.

Components with damaged surfaces must be replaced or injury could result.

Damage caused by improper treatment is not covered under the warranty.

hansgrohe

Hansgrohe, Inc. • 1490 Bluegrass Lakes Parkway • Alpharetta, GA 30004
Tel. 770-360-9880 • Fax 770-360-9887

www.hansgrohe-usa.com