

# 8901\* 1/4"-4"



1/4" through 2" Only

**Brass Ball Valve**  
**Two Piece**  
**Full Port**  
**600 WOG (1/4" - 3") 400 WOG (4")**  
**Threaded Ends**  
**Blow-Out Proof Stem**  
**MSS SP-110, ASME A112.4.14**

\*Not intended for use in potable water.

## MATERIALS LIST

ITEM	PART	MATERIALS	ASTM SPEC.
1	Body	Brass, Forged	B283
2	Tailpiece	Brass, Forged	B283
3	Ball	CP Brass (3/8" - 1 1/4")	B283
		CP Brass, Cast (1 1/2" - 4")	B584
4	Ball Seal	PTFE	Commercial
5	Stem	Brass	B124
6	O-Ring	Buna-N	D2006
7	Thrust Washer	PTFE	Commercial
8	Gland Nut	Brass	B16
9	Packing	PTFE	Commercial
10	Handle	Zinc Plated Steel	Commercial
11	Hand Grip	Zinc Plated Steel	Commercial
****12	Body Seal	PTFE	Commercial

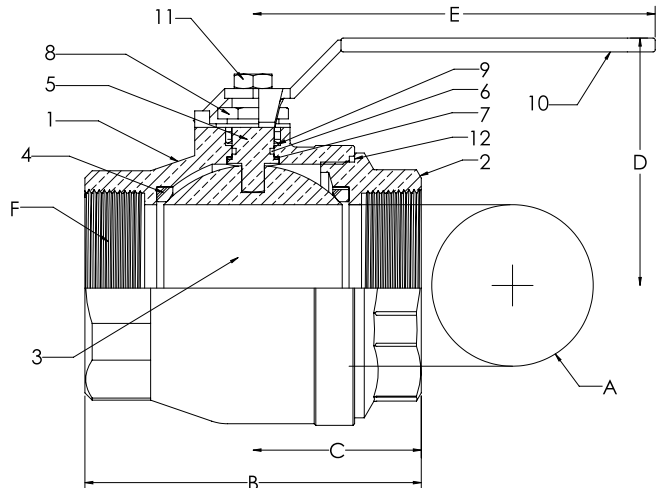
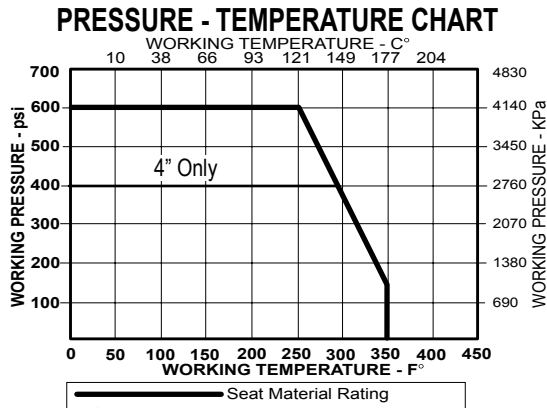
\*Also Available 8901-07

(Locks only in closed position)

\*\* Not Suitable For Ammonia Service

\*\*\*Not intended for use in potable water.

\*\*\*\*4" Valve Only



## DIMENSIONS

	UNITS	1/4"	3/8"	1/2"	3/4"	1"	1-1/4"	1-1/2"	2"	2-1/2"	3"	4"
	A (DIA)	INCHES	0.39	0.39	0.51	0.76	1.00	1.26	1.50	2.00	2.48	2.95
	mm	10	10	13	19	25	32	38	51	63	75	100
B	INCHES	1.87	1.87	2.25	2.62	3.06	3.50	3.75	4.38	5.16	6.00	8.20
	mm	47	47	57	67	78	89	95	111	131	152	208
C	INCHES	0.95	0.95	1.12	1.31	1.91	2.21	1.87	2.19	2.58	3.00	4.11
	mm	24	24	28	33	49	56	47	56	66	76	104
D	INCHES	1.42	1.42	1.46	1.93	2.10	2.33	2.52	2.96	3.94	4.37	5.93
	mm	36	36	37	49	53	59	64	75	100	111	151
E	INCHES	3.14	3.14	3.14	4.35	4.35	5.00	5.00	6.90	7.87	7.87	9.65
	mm	80	80	80	110	110	127	127	175	200	200	245
F	THREAD SIZE	1/4" NPT	3/8" NPT	1/2" NPT	3/4" NPT	1" NPT	1-1/4" NPT	1-1/2" NPT	2" NPT	2-2/1" NPT	3" NPT	4" NPT
	Cv	12	12	18	40	72	112	161	287	307	323	584

The information presented on this sheet is correct at the time of publication. Hammond Valve reserves the right to change design, and/or material specifications without notice. For the Installation, Operation and Maintenance Manual (IOM) see the Technical/Service Information section on our website. For the most current information access [www.hammondvalve.com](http://www.hammondvalve.com) Hammond Valve is a registered trademark of Milwaukee Valve Company