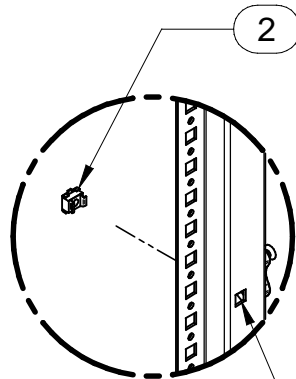
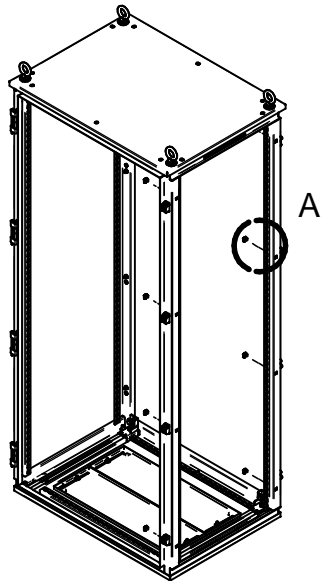


HSP - SERIES

BUL86211

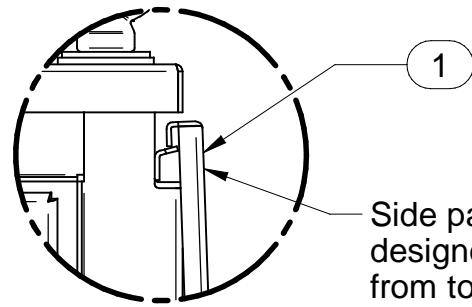
REV. A

ASSEMBLY INSTRUCTIONS FOR HME SIDE PANEL INSTALLATION



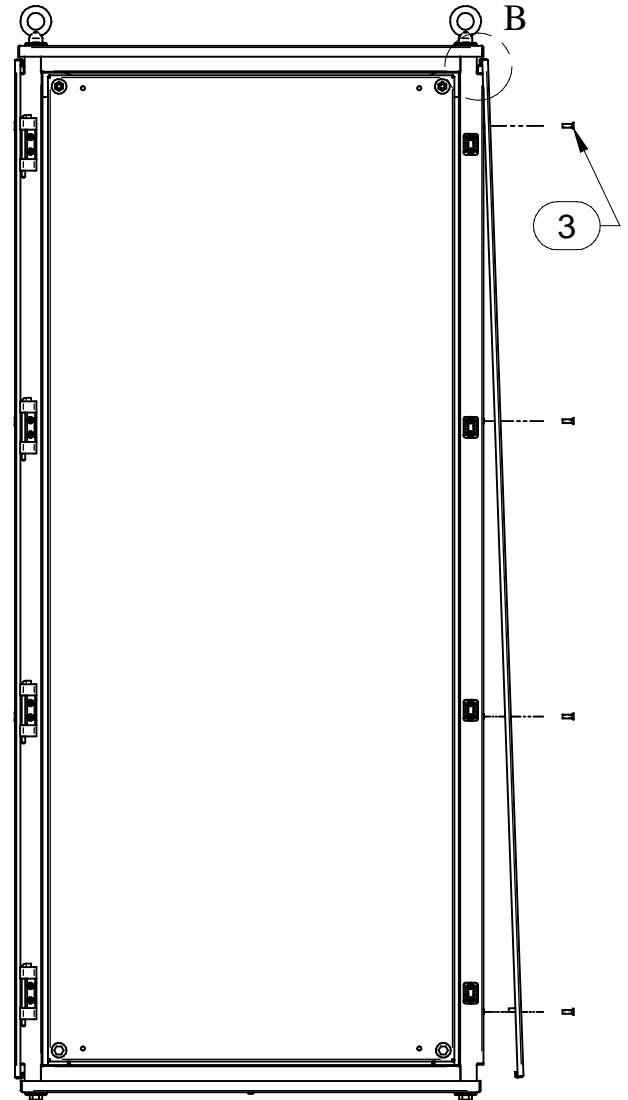
DETAIL A

Install into square cutouts on frame sides.



DETAIL B

Side panels are designed to hang from top of frame.



FRONT VIEW - DOORS REMOVED

INSTRUCTIONS:

A) Install cage nuts (Item 2) into square cutouts from the inside of the frame using a slot head screwdriver.

B) Hang side panel (item 1) from the top bracket on frame. Ensure holes line up with cage nuts (Item 2) and install 1/4-20 X 3/4" screws (Item 3) and tighten down.

ASSEMBLY TIP:

Install the top two screws first but do not tighten them down. Make sure the bottom screw holes are lined up, install and tighten down the bottom two screws. Continue installing the rest of the screws.

ITEM	DESCRIPTION	QTY
1	HSP Side Panel	2
2	1/4-20 Cage Nut	16
3	1/4-20 x 3/4" Screw	16

