

Wallplates
 Weatherproof Covers for Receptacles
 For FS/FD Box Mounting

HUBBELL



Ordering Information

Description	Color	Catalog Number	UPC
2-gang, for receptacles with face diameters of 2.28-2.44" (57.9-62.0), wet and damp	Gray	HBL7777A	783585809540

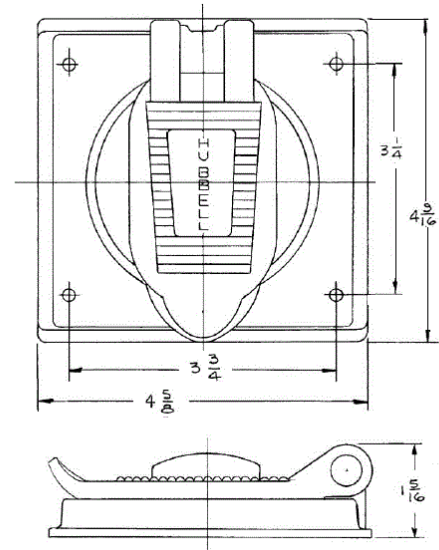


Listings

UL Listed - Canadian and U.S.

Specifications

Material	Thermoplastic
Gasket	Neoprene
Spring	Stainless steel
Mounting Screws	Stainless steel



Online Resources

Customer Use Drawing
 eCatalog
 Installation Instructions

Dimensions in Inches (mm)

Hubbell Wiring Device-Kellems • Hubbell Incorporated (Delaware) • 40 Waterview Drive • Shelton, CT 06484

Phone (800) 288-6000 • Fax (800) 255-1031 • Specifications subject to change without notice.

