

Midget Twist-Lock® Devices
 15A, 125/250V AC, 3 Pole, 3 Wire
 Non-Grounding
 Flanged Receptacle

HUBBELL



15A 125/250V
 NEMA ML-3R



Features

- Stainless Steel mounting flange
- High heat resistant phenolic base

Ordering Information

Description	Terminals	UPC	Catalog Number
Stainless steel flanged receptacle.	Exposed	783585237466	HBL7487

Listings

Listed to UL 498
 Certified to CSA C22.2 No.42

Specifications

Flange	Stainless Steel
Base	Phenolic
Contacts	Brass
Terminal Screws	#5-40 Brass

Performance

Electrical

Current Interrupting Certified for current interrupting at full rated current
 Dielectric Voltage Withstands 2,000V minimum

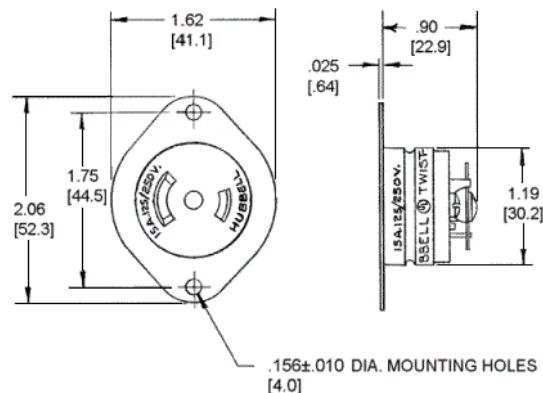
Mechanical

Terminal Accommodation #18 AWG - #14 AWG solid or stranded copper wire only.

Terminal Identification Terminals identified in accordance with UL 498

Environmental

Flammability HB or better per UL94/CSA 22.2 No.0.17
 Moisture Resistance IP20 Suitability
 Operating Temperatures Maximum Continuous 75°C; Minimum -40°C (w/o impact)



Accessories

Valise® Plug	HBL7485V
Plug	HBL7485
Angled Plug	HBL7432

Resources

Customer Use Drawing
 eCatalog

Dimensions in Inches (mm)

Hubbell Wiring Device-Kellems • Hubbell Incorporated (Delaware) • 40 Waterview Drive • Shelton, CT 06484

Phone (800) 288-6000 • Fax (800) 255-1031 • Specifications subject to change without notice.

