

# Twist-Lock® Devices 20A, 250V AC, 2 Pole, 2 Wire Non-Grounding Receptacle

# HUBBELL



## Features

- All-brass mounting and grounding system provides a lower resistance ground path and greater resistance to corrosion than steel mounting systems
- Face color coding by voltage facilitates locating and mating of proper devices
- High-impact, abuse-resistant nylon face
- Wire restraint recess for both back and side wiring, greatly reduces the possibility of loosening the terminal connection

## Ordering Information

Description	Device Color	UPC	Catalog Number
Single, mounted on 4"(101.6) round box cover, black phenolic	Black	783585237114	HBL7217B

## Listings

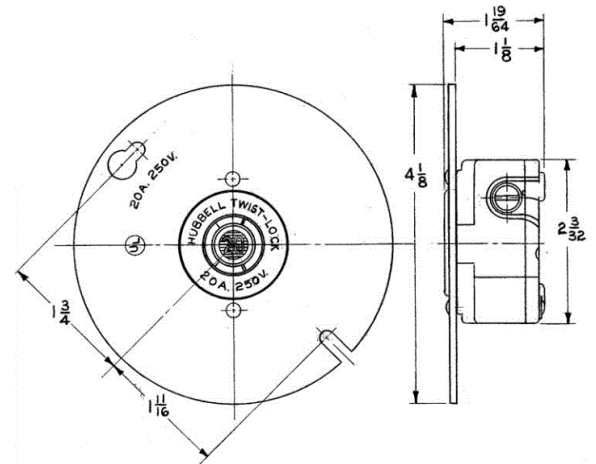
Listed to UL 498  
Fed Spec W-C-596  
Certified to CSA C22.2 No.42

## Specifications

Face	RTP
Contacts	Brass
Clamp	Brass
Ground Contact	Brass
Terminal Screws	Brass

## Performance

Electrical	
Current Interrupting	Certified for current interrupting at full rated current
Dielectric Voltage	Withstands 2,000V minimum
Mechanical	
Terminal Accommodation	#16 AWG - #8 AWG solid or stranded copper wire only.
Terminal Identification	Terminals identified in accordance with UL 498
Environmental	
Flammability	HB or better per UL94/CSA 22.2 No.0.17
Operating Temperatures	Maximum Continuous 75°C; Minimum -40°C (w/o impact)



## Accessories

Plug	HBL7102C
------	----------

## Resources

Customer Use Drawing  
eCatalog

Dimensions in Inches (mm)

Hubbell Wiring Device-Kellems • Hubbell Incorporated (Delaware) • 40 Waterview Drive • Shelton, CT 06484

Phone (800) 288-6000 • Fax (800) 255-1031 • Specifications subject to change without notice.

