

Non-NEMA Twist-Lock® Devices
 30A, 250V DC Max. and 600V AC Max. 50- 400
 Hz 4 Pole, 5 Wire Grounding
 Variload® Connector

HUBBELL



Features

- Heat resistant thermoset construction
- Non-interchangeable center pin configuration to be designated to different circuits

Ordering Information

| Description | Cord Diameter | UPC | Catalog Number |
|--|----------------------------|--------------|----------------|
| 4P5W, 30A 600V AC Max, Non-NEMA, Black Nonmetallic Body | .625"-1.00" (15.9-25.4) | 783585236551 | HBL45235 |

Listings

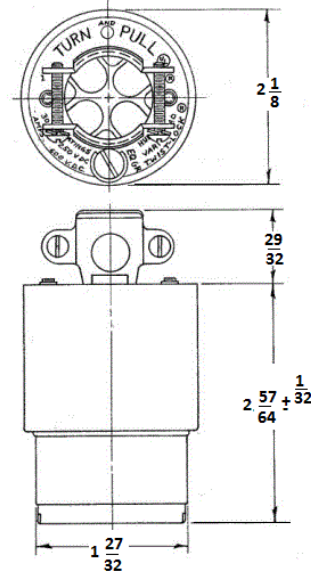
Listed to UL 498
 Certified to CSA C22.2 No.42

Specifications

| | |
|-----------------|-------------------|
| Housing | Molded Thermoset |
| Cover | Molded thermoset |
| Cord Clamp | Zinc Plated Steel |
| Contacts | Brass |
| Terminal Screw | Brass |
| Assembly Screws | Brass |

Performance

| Electrical | |
|-------------------------|--|
| Current Interrupting | Certified for current interrupting at full rated current |
| Dielectric Voltage | Withstands 2,000V minimum |
| Mechanical | |
| Terminal Accommodation | #14 AWG - #10 AWG stranded copper wire only. |
| Terminal Identification | Terminals identified in accordance with UL 498 |
| Environmental | |
| Flammability | HB or better per UL 94 or CSA 22.2 No. 0.6 |
| Operating Temperatures | Maximum Continuous 75°C; Minimum -40°C (w/o impact) |



Accessories

| | |
|-------------------|----------|
| Plug | HBL45215 |
| Weatherproof Boot | HBL6028 |

Resources

Customer Use Drawing
 eCatalog

Dimensions in Inches (mm)

Hubbell Wiring Device-Kellems • Hubbell Incorporated (Delaware) • 40 Waterview Drive • Shelton, CT 06484

Phone (800) 288-6000 • Fax (800) 255-1031 • Specifications subject to change without notice.

