

Non-NEMA Twist-Lock® Devices  
 30A, 250V DC Max. and 600V AC Max. 50- 400  
 Hz 4 Pole, 5 Wire Grounding  
 Variload® Receptacle

# HUBBELL



## Features

- Heat resistant thermoset construction
- Non-interchangeable center slot configuration to be designated to different circuits

## Ordering Information

Description	Device Color	UPC	Catalog Number
4P5W, 30A 600V AC Max, Non-NEMA, Black Urea Face	Black	783585236537	HBL45205

## Listings

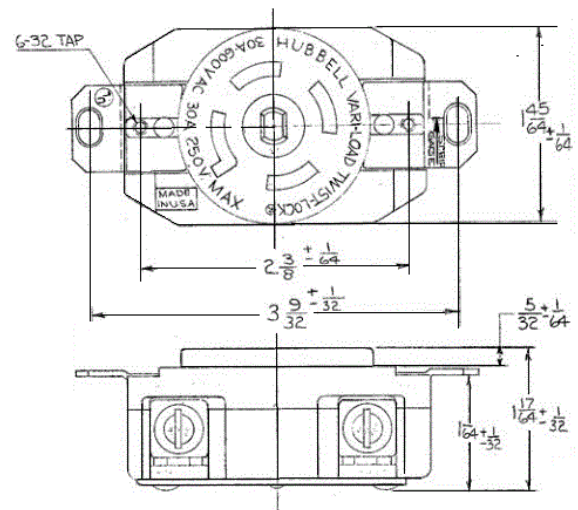
Listed to UL 498  
 Certified to CSA C22.2 No.42

## Specifications

Housing	Molded Thermoset
Base	Molded thermoset
End Plate	Cold rolled steel
Strap	Brass
Contact Spring	Brass
Mounting Screw	Steel, zinc plated

## Performance

Electrical	
Current Interrupting	Certified for current interrupting at full rated current
Dielectric Voltage	Withstands 2,000V minimum
Mechanical	
Terminal Accommodation	#14 AWG - #10 AWG solid or stranded copper wire only.
Terminal Identification	Terminals identified in accordance with UL 498
Environmental	
Flammability	V0 per UL94 or CSA 22.2 No.0.17
Operating Temperatures	Maximum Continuous 75°C; Minimum -40°C (w/o impact)



## Accessories

Plug HBL45215  
 Wallplate or Weatherproof Cover 1.74" Opening

## Resources

Customer Use Drawing  
 eCatalog

Dimensions in Inches (mm)

Hubbell Wiring Device-Kellems • Hubbell Incorporated (Delaware) • 40 Waterview Drive • Shelton, CT 06484

Phone (800) 288-6000 • Fax (800) 255-1031 • Specifications subject to change without notice.

