

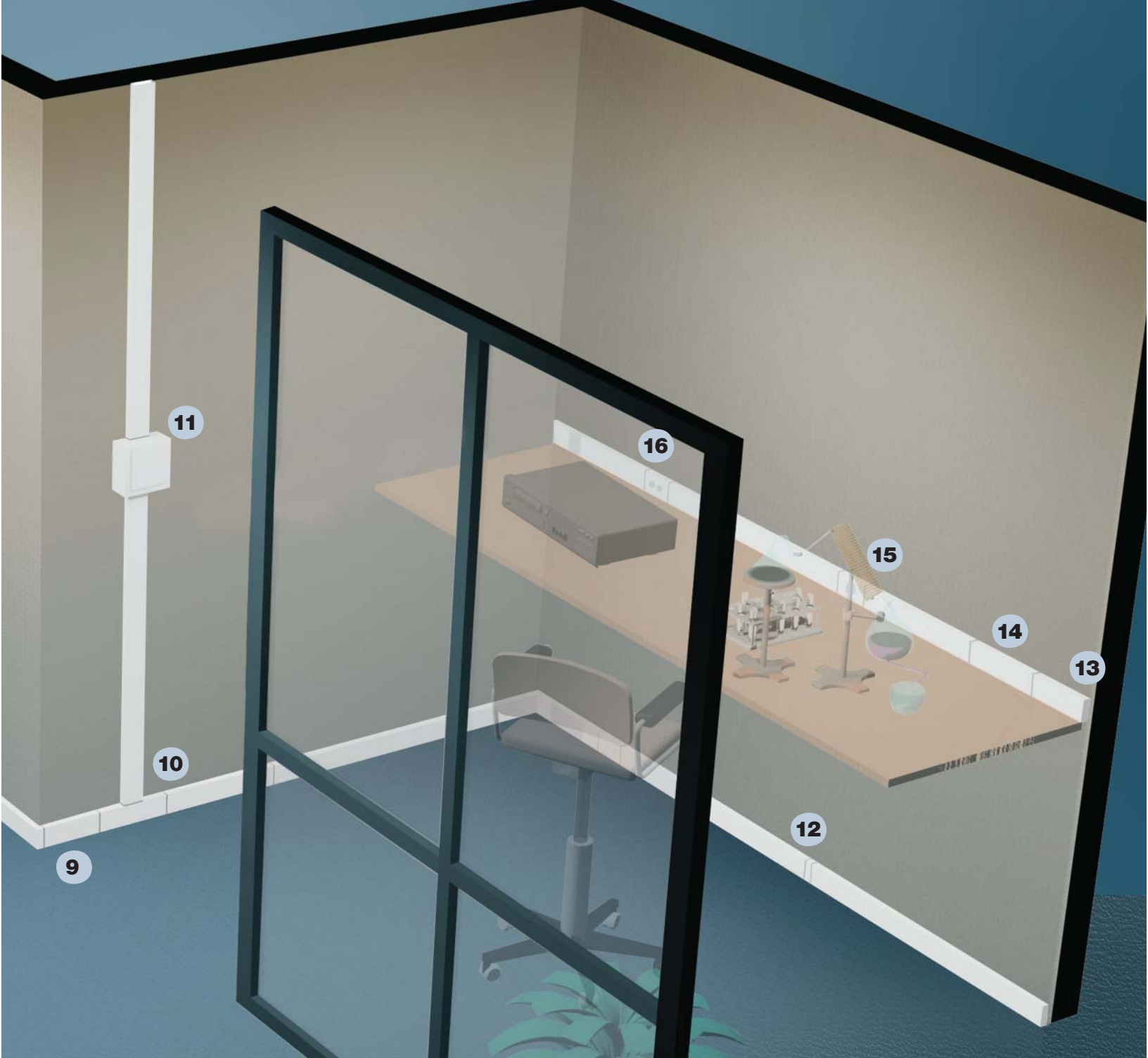
Hubbell Metal Raceway









HBL3000 Series Product Applications



Catalog Number	Description
1 HBL3000CEIV HBL3000BIV	5 ft. Cover 10 ft. Base
2 HBL3011EIV	90° Flat Elbow
3 HBL3006EIV	Cover Clip
4 HBL3043BEIV	Duplex Receptacle Cover and Device Bracket

Catalog Number	Description
5 HBL3048RIV	Rectangular Receptacle Cover and Device Bracket
6 HBL3017CEIV	Internal Corner Coupling
7 HBL3010BIV	Blank End Fitting
8 HBL3036HEIV	Blank Cover and Bracket



Catalog Number	Description	Catalog Number	Description
9 HBL3018AEIV	 External Corner Coupling	13 HBL3010AEIV	 Entrance End Fitting
10 HBL3015EIV	 Tee Fitting	14 HBL3000C195IV	 19.5 in. Precut Cover
11 HBL30442IV	 Two-Gang Extra Deep Switch and Receptacle Box	15 HBL3027AEIV	 Single Receptacle Cover and Device Bracket
12 HBL3000TFIV	 Transition Fitting Wiremold® 3000 Raceway to Hubbell HBL3000 Series Raceway	16 HBL3046BEIV	 High Strain Duplex Receptacle Cover and Device Bracket

Wiremold® is a registered trademark of The Wiremold Company.

HBL3000 Series Metal Raceway



Extensive Line

- Full line of large, single channel, two piece metal raceway.
- Easily mounts on walls or bench tops.
- Large single channel base for power or datacom cables.
- UL Listed and CSA Certified.
- Available in ivory or gray powder coat finish.

Advantage ^{HUBBELL}



Plates and Covers

- Wide range of covers and cover plates accommodate the most demanding applications.
- Removable cover and cover plates provide easy access to wiring compartment.
- Precut covers and plates provide quick installation and are available in common configurations.

Advantage ^{HUBBELL}

Transition Fittings

- UL Classified to transition from Wiremold® 3000 Series Metal Raceway to Hubbell HBL3000 Series Metal Raceway.
- Reducer fitting provides transition from Hubbell HBL3000 Series to Hubbell HBL2000 Series Raceway.



Wiremold® 3000 Series to Hubbell HBL3000 Series utilizing Hubbell transition fitting.

Advantage HUBBELL

Boxes

- Hubbell Handi-Screw eliminates “difficult-to-install” long screws for faster mounting.
- Rounded corners eliminate sharp edges.
- One seam construction provides “clean” look.
- Large capacity allows for the installation of 30, 50 or 60A receptacles.
- Utility box can be used as a tee, cross, junction box or as a branch circuit extension.

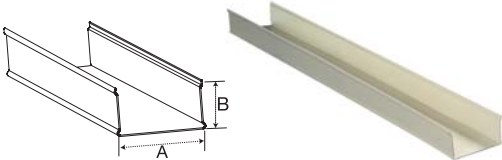
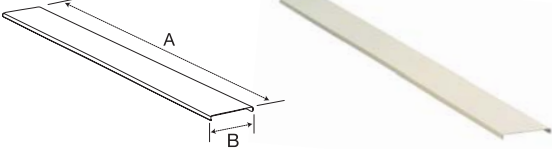

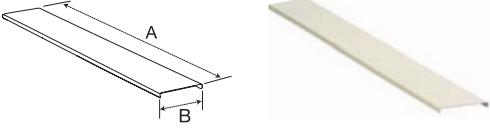

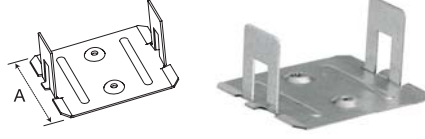
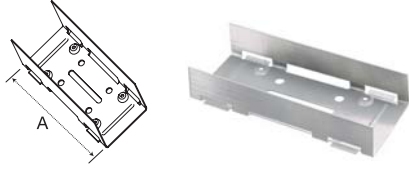
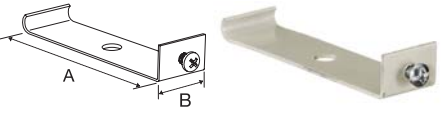
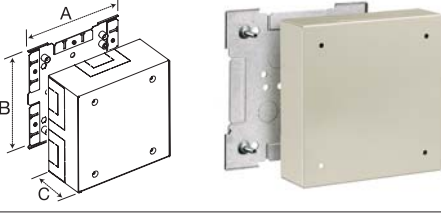
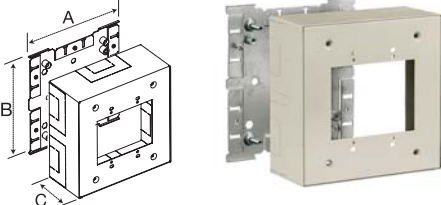



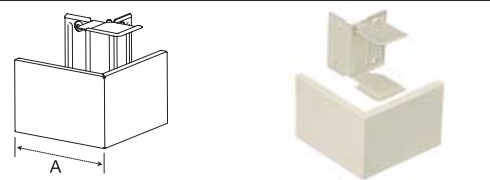
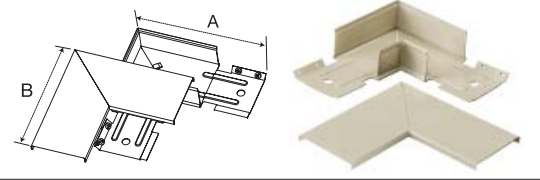
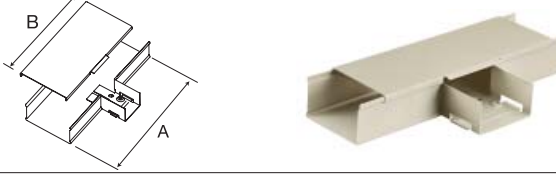
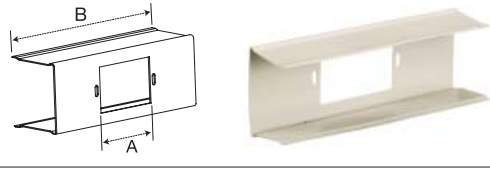
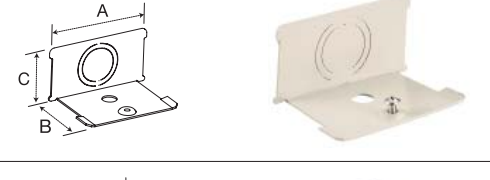
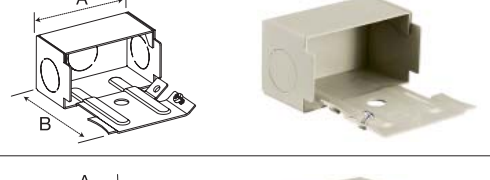
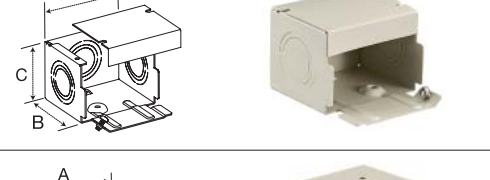

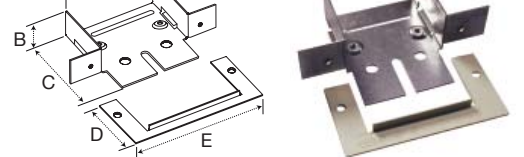
Wiremold® is a registered trademark of The Wiremold Company.

Advantage HUBBELL

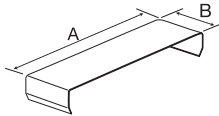

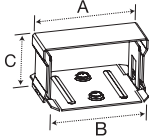

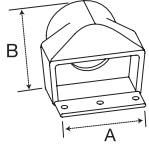

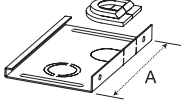

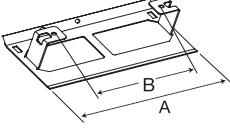

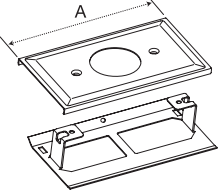

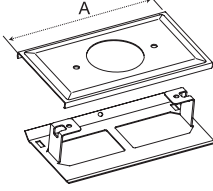

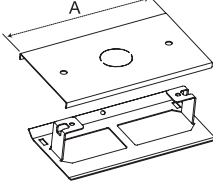

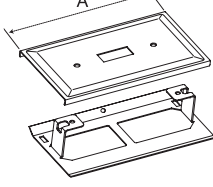

HBL3000 Series Metal Raceway

Available in
PRE-WIRED

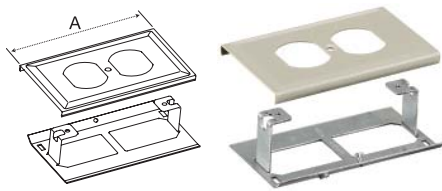
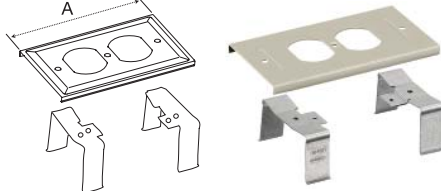
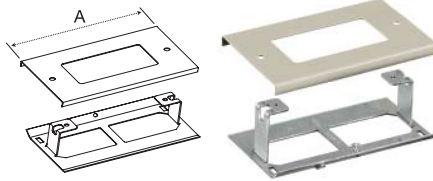
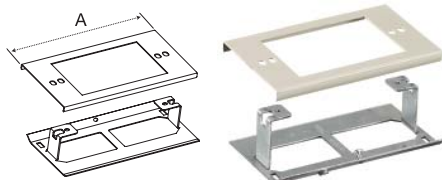
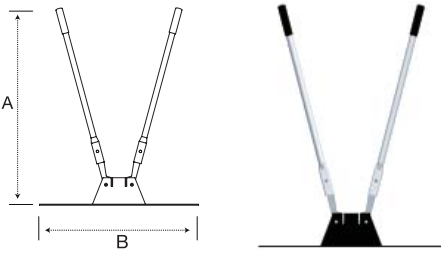
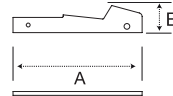
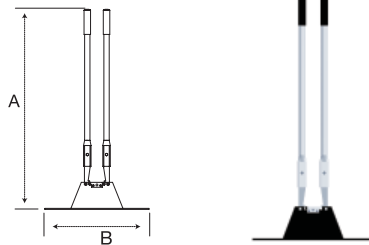
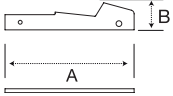

Raceway		Catalog Number	Length	Color
Single Channel Base Packed 50 ft. (15m) per carton, 10 ft. (3m) lengths.		HBL3000BIV HBL3000BGY A: 2.67" (67.94) B: 1.47" (37.34)	10 ft.	Ivory Gray
Cover Packed 50 ft. (15m) per carton, 5 ft. (1.5m) lengths.		HBL3000CEIV HBL3000CEGY A: 60.00" (1524.00) B: 2.75" (69.85)	5 ft.	Ivory Gray
7.5 in. Precut Cover For mounting devices on 12 in. (305.00) centers. Packed 10 pieces per carton.		HBL3000C075IV HBL3000C075GY A: 7.50" (190.50) B: 2.75" (69.85)	7.5 in.	Ivory Gray
19.5 in. Precut Cover For mounting devices on 24 in. (610.00) centers. Packed 10 pieces per carton.		HBL3000C195IV HBL3000C195GY A: 19.50" (495.30) B: 2.75" (69.85)	19.5 in.	Ivory Gray
Wire Clip (Plated) For holding conductors in place.		HBL3000WCGY A: 1.00" (25.40)		Galvanized Steel
Coupling (Plated) For joining lengths of HBL3000 Raceway.		HBL3001GY A: 2.20" (55.75)		Galvanized Steel
Rigid Inside Coupling (Plated) For joining lengths of HBL3000 Raceway when added rigidity is required, i.e. raceway suspended overhead.		HBL3001AGY A: 6.00" (152.40)		Galvanized Steel
Supporting Clip For supporting lengths of HBL3000 Raceway at any point. Mount with #8 flat head fastener. Has set screw for locking to raceway.		HBL3003IV HBL3003GY A: 2.81" (71.33) B: .75" (19.05)		Ivory Gray
Boxes		Catalog Number		Color
Utility Box Cover has twistouts on all sides, allows for box to be used as tee, cross, junction box or for branch circuit extensions.		HBL3028IV HBL3028GY A: 6.41" (162.89) B: 6.41" (162.89) C: 1.90" (48.26)		Ivory Gray
Two-Gang Extra Deep Switch and Receptacle Box For standard 30, 50 and 60A straight blade receptacles.		HBL30442IV HBL30442GY A: 6.38" (162.05) B: 6.38" (162.05) C: 2.75" (69.85)		Ivory Gray

Fittings	Catalog Number	Color
<p>Internal Corner Coupling For surfaces at right angles or for use as a straight-through fitting.</p> 	<p>HBL3017TCEIV HBL3017TCEGY A: 2.61" (66.29)</p>	<p>Ivory Gray</p>
<p>External Corner Coupling For right angle turns around external corners.</p> 	<p>HBL3018AEIV HBL3018AEGY A: 4.00" (101.60)</p>	<p>Ivory Gray</p>
<p>90° Flat Elbow For right angle turns on same surface.</p> 	<p>HBL3011EIV HBL3011EGY A: 6.40" (162.40) B: 6.00" (152.40)</p>	<p>Ivory Gray</p>
<p>Tee Fitting For branches at right angles. Couplings furnished.</p> 	<p>HBL3015EIV HBL3015EGY A: 10.31" (261.94) B: 8.00" (203.20)</p>	<p>Ivory Gray</p>
<p>Wall Box Connector For connecting to HBL3000 Raceway from a flush mounted wall box.</p> 	<p>HBL3014CIV HBL3014CGY A: 3.28" (83.31) B: 8.00" (203.20)</p>	<p>Ivory Gray</p>
<p>Blank End Fitting For closing open end of HBL3000 Raceway. Has concentric 1/2 in. and 3/4 in. trade size KOs.</p> 	<p>HBL3010BIV HBL3010BGY A: 2.71" (68.92) B: 1.79" (45.36) C: 1.41" (35.84)</p>	<p>Ivory Gray</p>
<p>Entrance End Fitting For connecting HBL3000 Raceway with 1/2 in. conduit and armored cable connectors.</p> 	<p>HBL3010AEIV HBL3010AEGY A: 2.75" (69.85) B: 3.42" (86.87)</p>	<p>Ivory Gray</p>
<p>Entrance End Fitting For connecting HBL3000 Raceway with rigid or flexible conduit. Concentric 1/2 in., 3/4 in. and 1 in. trade size KOs on end and each side.</p> 	<p>HBL3010CIV HBL3010CGY A: 2.75" (69.85) B: 3.25" (82.55) C: 2.00" (50.80)</p>	<p>Ivory Gray</p>
<p>Take-Off Connector (Reducer) Transition Hubbell HBL3000 Raceway to Hubbell HBL2000 Raceway.</p> 	<p>HBL3200REDIV HBL3200REDGY A: 2.75" (69.85) B: 2.25" (57.15)</p>	<p>Ivory Gray</p>
<p>Panel Connector To connect HBL3000 Raceway with surface type boxes.</p> 	<p>HBL3086IV HBL3086GY A: 4.60" (116.71) B: 1.19" (30.16) C: 3.00" (76.20) D: 1.94" (49.40) E: 3.76" (95.50)</p>	<p>Ivory Gray</p>

HBL3000 Series Metal Raceway

Fittings		Catalog Number	Color
<p>Cover Clip Use to cover potential openings where two pieces of Hubbell HBL3000 Raceway come together.</p>  	<p>HBL3006EIV HBL3006EGY A: 2.78" (70.60) B: .75" (19.05)</p>	<p>Ivory Gray</p>	
<p>Transition Fitting For transitioning from Wiremold® 3000 Raceway to Hubbell HBL3000 Raceway.</p>  	<p>HBL3000TFIV HBL3000TFGY A: 2.85" (72.39) B: 2.15" (54.61) C: 1.50" (38.04)</p>	<p>Ivory Gray</p>	
<p>Conduit Connector To connect end of HBL3000 Raceway to 1½ in. trade size conduit or armored cable.</p>  	<p>HBL3082GY A: 2.91" (74.00) B: 2.75" (69.85)</p>	<p>Gray</p>	
<p>Tap-Off Fitting Has concentric ½ in. and ¾ in. trade size KOs and twistout for communication cables.</p>  	<p>HBL3046H2IV HBL3046H2GY A: 4.75" (120.65)</p>	<p>Ivory Gray</p>	
Device Bracket and Cover Plates		Catalog Number	Color
<p>Device Bracket For mounting standard devices in HBL3000 Raceway. Use with commercially available flush plate (not furnished).</p>  	<p>HBL3007CGY A: 4.50" (114.30) B: 3.28" (83.31)</p>	<p>Galvanized Steel</p>	
<p>Single Receptacle Cover For installing straight blade and locking single receptacles with face diameters of 1.38 in. – 1.39 in. (35mm-36mm). Includes HBL3007CGY device bracket.</p>  	<p>HBL3027AEIV HBL3027AEGY A: 4.50" (114.30)</p>	<p>Ivory Gray</p>	
<p>Single Receptacle Cover For installing straight blade and locking single receptacles with face diameters of 1.56 in. – 1.57 in. (40mm). Includes HBL3007CGY device bracket.</p>  	<p>HBL3033JEIV HBL3033JEGY A: 4.50" (114.30)</p>	<p>Ivory Gray</p>	
<p>Blank Cover Has one ½ in. trade size KO in center. Includes HBL3007CGY bracket.</p>  	<p>HBL3036HEIV HBL3036HEGY A: 4.50" (114.30)</p>	<p>Ivory Gray</p>	
<p>Switch Cover For installing single-pole, two-pole, three-way or four-way switches. Includes HBL3007CGY device bracket.</p>  	<p>HBL3040CEIV HBL3040CEGY A: 4.50" (114.30)</p>	<p>Ivory Gray</p>	

Wiremold® is a registered trademark of the Wiremold Company.

Device Bracket and Covers/Plates		Catalog Number	Color
Duplex Receptacle Cover For installing 15A and 20A duplex receptacles and duplex communication devices. Includes HBL3007CGY device bracket.		HBL3043BEIV	Ivory
		HBL3043BEGY	Gray
A: 4.50" (114.30)			
Duplex Receptacle Cover For high strain/vibration. For installing 15A and 20A duplex receptacles and duplex communication devices. Includes device brackets.		HBL3046BEIV	Ivory
		HBL3046BEGY	Gray
A: 4.50" (114.30)			
Rectangular Style Line® Receptacle Cover For installing 15A and 20A rectangular duplex receptacles, GFCI and surge devices. Includes HBL3007CGY device bracket.		HBL3048RIV	Ivory
		HBL3048RGY	Gray
A: 4.50" (114.30)			
Extension Cover Cover accepts shallow-type 30A and 50A devices and standard commercially available flush plates. Includes HBL3007CGY device bracket. See pages 130-131 for plate options.		HBL3051LEIV	Ivory
		HBL3051LEGY	Gray
A: 4.50" (114.30)			
Tools		Catalog Number	
Base Cutter Portable cutter for HBL3000 Raceway base.		HBL630B	
		A: 37.14" (943.48)	B: 30.00" (782.00)
Replacement Blade Kit Base kit.		HBL630BDK	
		A: 8.50" (215.90)	B: 1.78" (45.34)
Cover Cutter Portable cutter for HBL3000 Raceway cover.		HBL630C	
		A: 38.48" (977.34)	B: 20.00" (508.00)
Replacement Blade Kit Cover kit.		HBL630CDK	
		A: 7.00" (177.80)	B: 1.10" (27.94)
Touch-Up Paint		Catalog Number	Color
Touch-Up Paint Pen		HBLIWEP	Ivory
		HBLGWEP	Gray