

PROJECT: _____	UNIT TAG: _____	QUANTITY: _____
REPRESENTATIVE: _____	TYPE OF SERVICE: _____	DATE: _____
ENGINEER: _____	SUBMITTED BY: _____	DATE: _____
CONTRACTOR: _____	APPROVED BY: _____	DATE: _____
	ORDER NO.: _____	DATE: _____

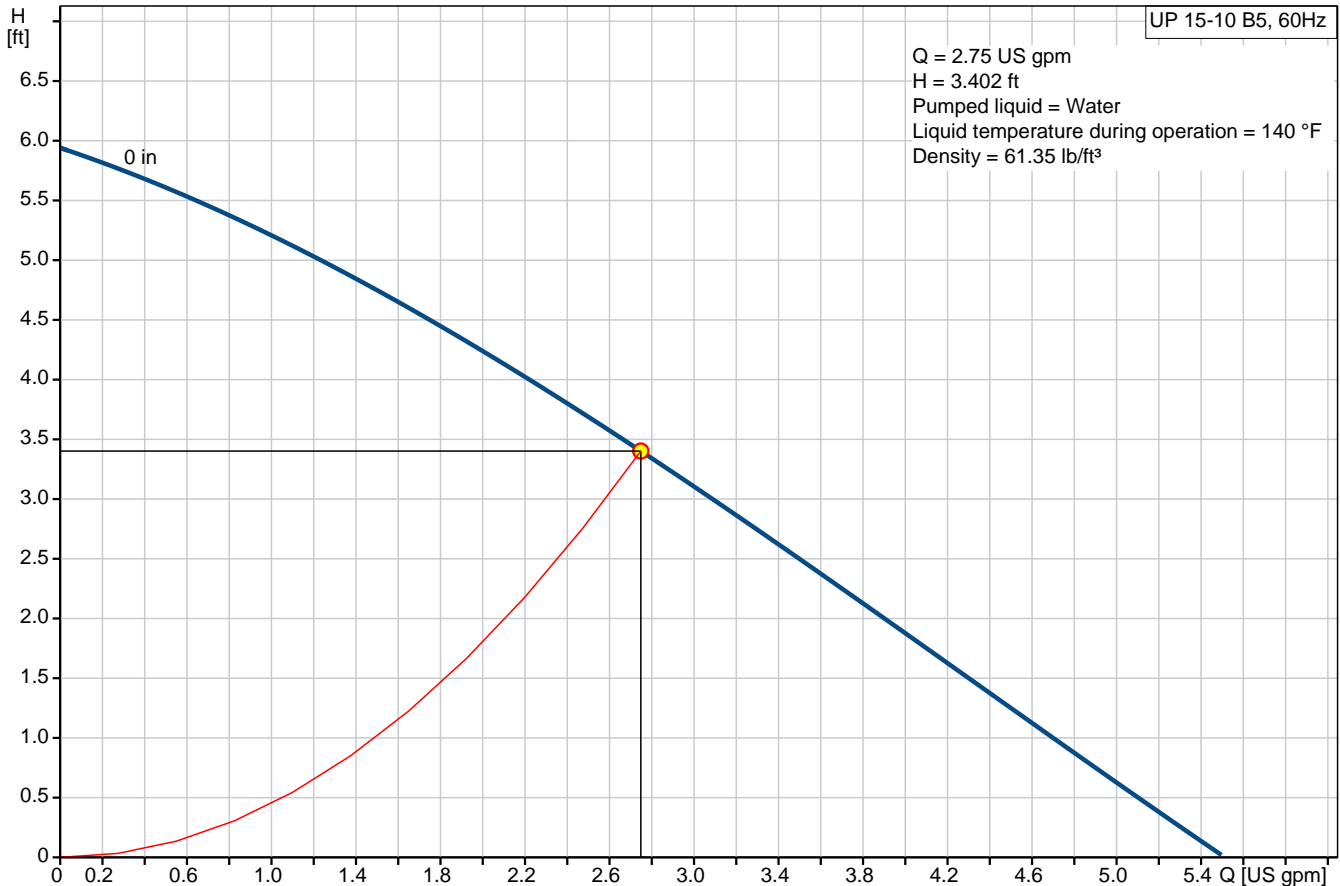


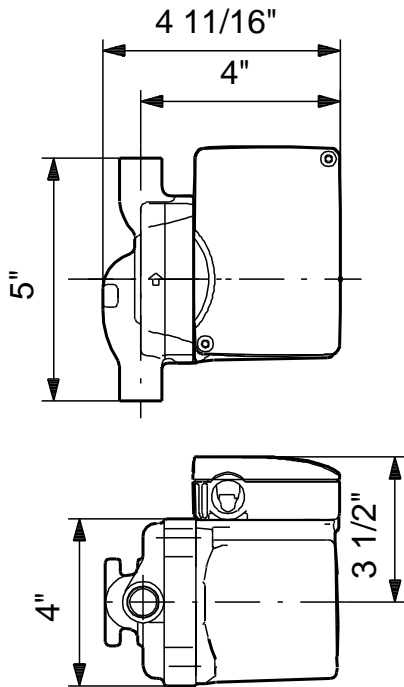
UP 15-10 B5

Circulator pumps

Product photo could vary from the actual product

Conditions of Service		Pump Data		Motor Data	
Flow:	2.75 US gpm	Maximum operating pressure:	145 psi	Max. power input:	25 W
Head:	3.402 ft	Liquid temperature range:	35.6 .. 219.2 °F	Rated power - P2:	0.04 HP
Efficiency:	_____	Maximum ambient temperature:	104 °F	Rated voltage:	115 V
Liquid:	Water	Approvals:	UL, CSA	Main frequency:	60 Hz
Temperature:	140 °F	Type of connection:	Bronze Sweat	Insulation class:	F
NPSH required:	ft	Flange standard:	USA Sweat	Motor protection:	CONTACT
Viscosity:	_____	Pipe connection:	1/2" Sweat	Thermal protection:	internal
Specific Gravity:	0.985	Product number:	59896213		





Materials:

Pump housing: Bronze
DIN W.-Nr. 2.1176.01
Impeller: Composite, PES

Tender Text



Product photo could vary from the actual product

Product No.: [59896213](#)

UP 15-10 B5

The pump is of the canned rotor type, i.e. pump and motor form an integral unit without shaft seal and with only two gaskets for sealing.

The bearings are lubricated by the pumped liquid.

The pump is characterized by:

- * Ceramic shaft and radial bearings.
- * Carbon axial bearing.
- * Stainless steel rotor can and bearing plate.
- * Corrosion-resistant impeller, Composite, PES.
- * Bronze pump housing.

The motor is a 1-phase motor.

No additional motor protection is required.

Liquid:

Pumped liquid: Water
Liquid temperature range: 35.6 .. 219.2 °F
Liquid temperature during operation: 140 °F
Density: 61.35 lb/ft³

Technical:

Actual calculated flow: 2.75 US gpm
Resulting head of the pump: 3.402 ft
Approvals on nameplate: UL, CSA

Materials:

Pump housing: Bronze
DIN W.-Nr. 2.1176.01
Impeller: Composite, PES

Installation:

Maximum ambient temperature: 104 °F
Ambient max at 176°F liquid: 176 °F
Maximum operating pressure: 145 psi
Flange standard: USA Sweat
Type of connection: Bronze Sweat
Pipe connection: 1/2" Sweat
Pressure stage: 10
Port-to-port length: 5 in

Electrical data:

Max. power input: 25 W
Rated power - P2: 0.04 HP
Main frequency: 60 Hz



Company name:

Created by:

Phone:


Date:

2/21/2018

Rated voltage: 1 x 115 V
Current in speed 3: 0.22 A
Capacitor size - run: 2 μ F/400 V
Number of poles: 2
Insulation class (IEC 85): F

Others:

Gross weight: 6 lb

Position	Count	Description
	1	<p>UP 15-10 B5</p>  <p style="text-align: center;">Product photo could vary from the actual product</p> <p>Product No.: 59896213</p> <p>The pump is of the canned rotor type, i.e. pump and motor form an integral unit without shaft seal and with only two gaskets for sealing. The bearings are lubricated by the pumped liquid. The pump is characterized by:</p> <ul style="list-style-type: none"> * Ceramic shaft and radial bearings. * Carbon axial bearing. * Stainless steel rotor can and bearing plate. * Corrosion-resistant impeller, Composite, PES. * Bronze pump housing. <p>The motor is a 1-phase motor. No additional motor protection is required.</p> <p>Liquid:</p> <p>Pumped liquid: Water Liquid temperature range: 35.6 .. 219.2 °F Liquid temperature during operation: 140 °F Density: 61.35 lb/ft³</p> <p>Technical:</p> <p>Actual calculated flow: 2.75 US gpm Resulting head of the pump: 3.402 ft Approvals on nameplate: UL, CSA</p> <p>Materials:</p> <p>Pump housing: Bronze DIN W.-Nr. 2.1176.01 Impeller: Composite, PES</p> <p>Installation:</p> <p>Maximum ambient temperature: 104 °F Ambient max at 176°F liquid: 176 °F Maximum operating pressure: 145 psi Flange standard: USA Sweat Type of connection: Bronze Sweat Pipe connection: 1/2" Sweat Pressure stage: 10 Port-to-port length: 5 in</p> <p>Electrical data:</p> <p>Max. power input: 25 W Rated power - P2: 0.04 HP Main frequency: 60 Hz Rated voltage: 1 x 115 V Current in speed 3: 0.22 A</p>



Company name:

Created by:

Phone:

Date:

2/21/2018

Position	Count	Description
		Capacitor size - run: 2 μ F/400 V Number of poles: 2 Insulation class (IEC 85): F
		Others: Gross weight: 6 lb



Company name:

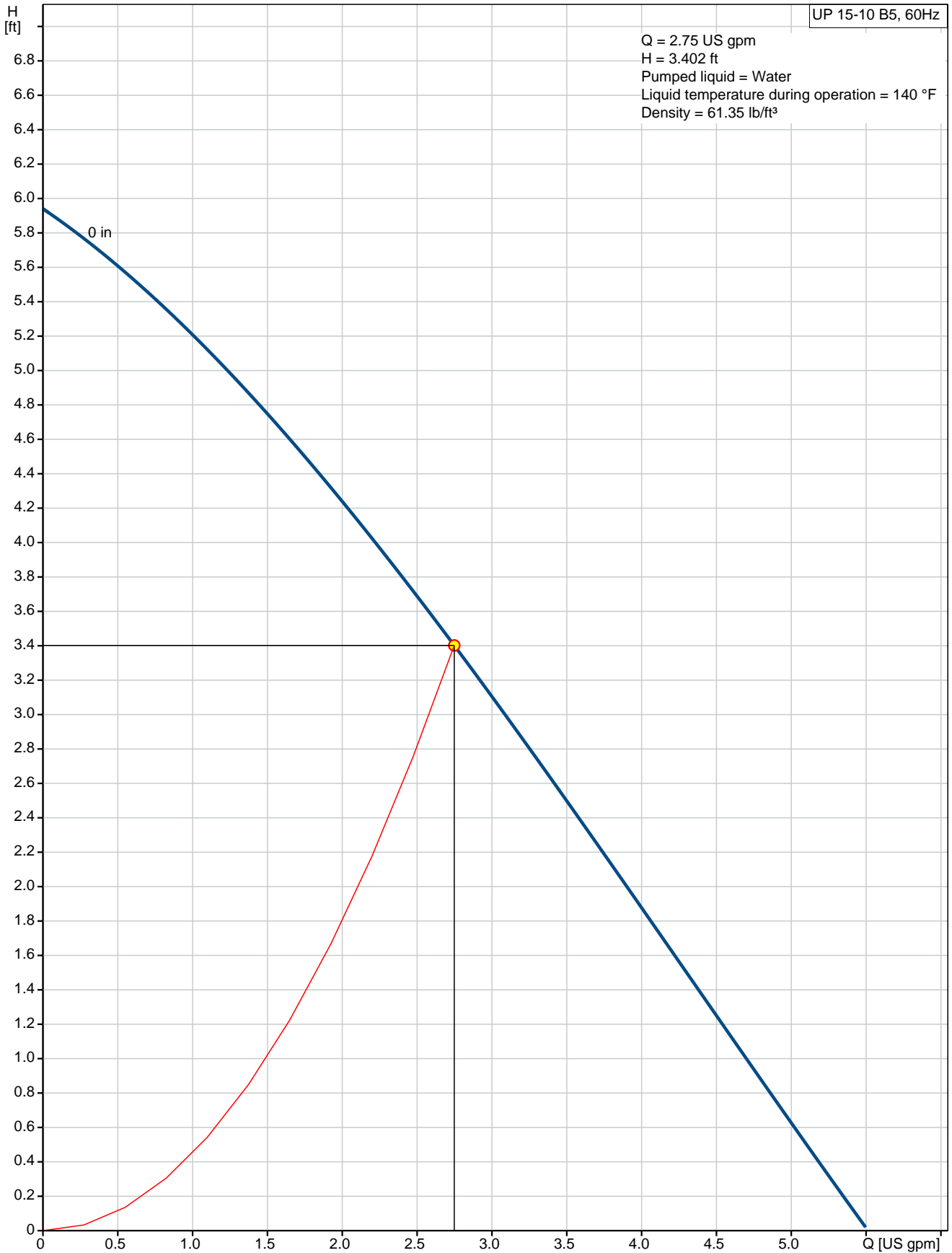
Created by:

Phone:

Date:

2/21/2018

59896213 UP 15-10 B5 60 Hz

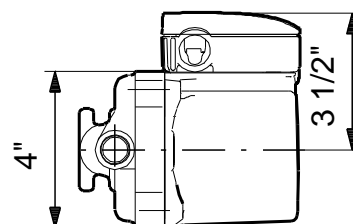
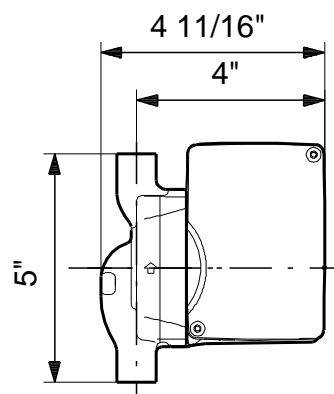
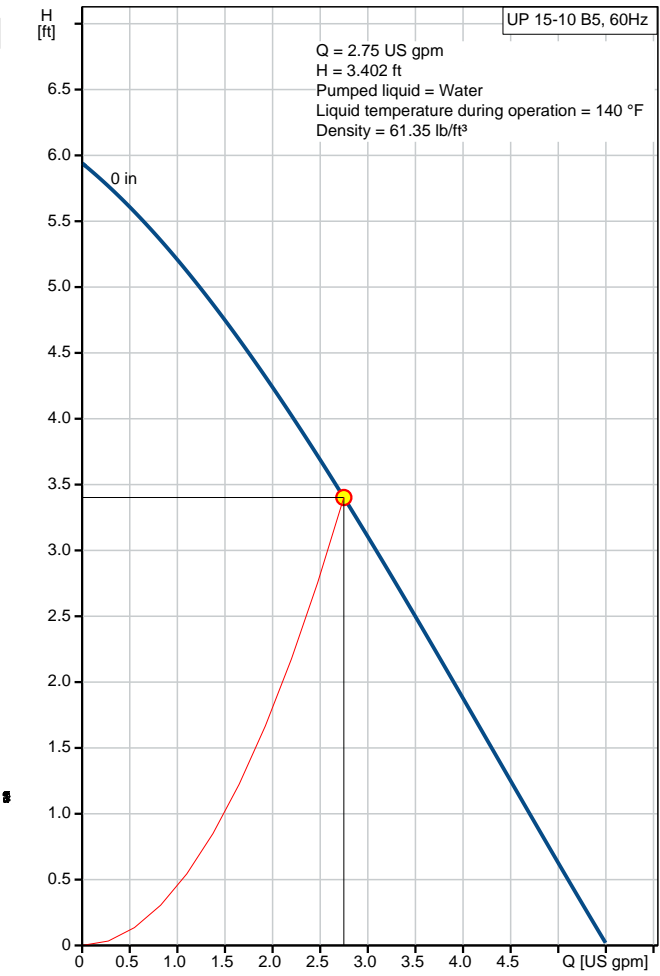


Description	Value
General information:	
Product name:	UP 15-10 B5
Product No.:	59896213
EAN:	5700392936387
Technical:	
Speed Number:	1
Actual calculated flow:	2.75 US gpm
Max flow:	8.37 US gpm
Resulting head of the pump:	3.402 ft
Head max:	6.234 ft
Approvals on nameplate:	UL, CSA
Materials:	
Pump housing:	Bronze
	DIN W.-Nr. 2.1176.01
Impeller:	Composite, PES
Installation:	
Maximum ambient temperature:	104 °F
Ambient max at 176°F liquid:	176 °F
Maximum operating pressure:	145 psi
Flange standard:	USA Sweat
Type of connection:	Bronze Sweat
Pipe connection:	1/2" Sweat
Pressure stage:	10
Port-to-port length:	5 in
Liquid:	
Pumped liquid:	Water
Liquid temperature range:	35.6 .. 219.2 °F
Liquid temperature during operation:	140 °F
Density:	61.35 lb/ft³

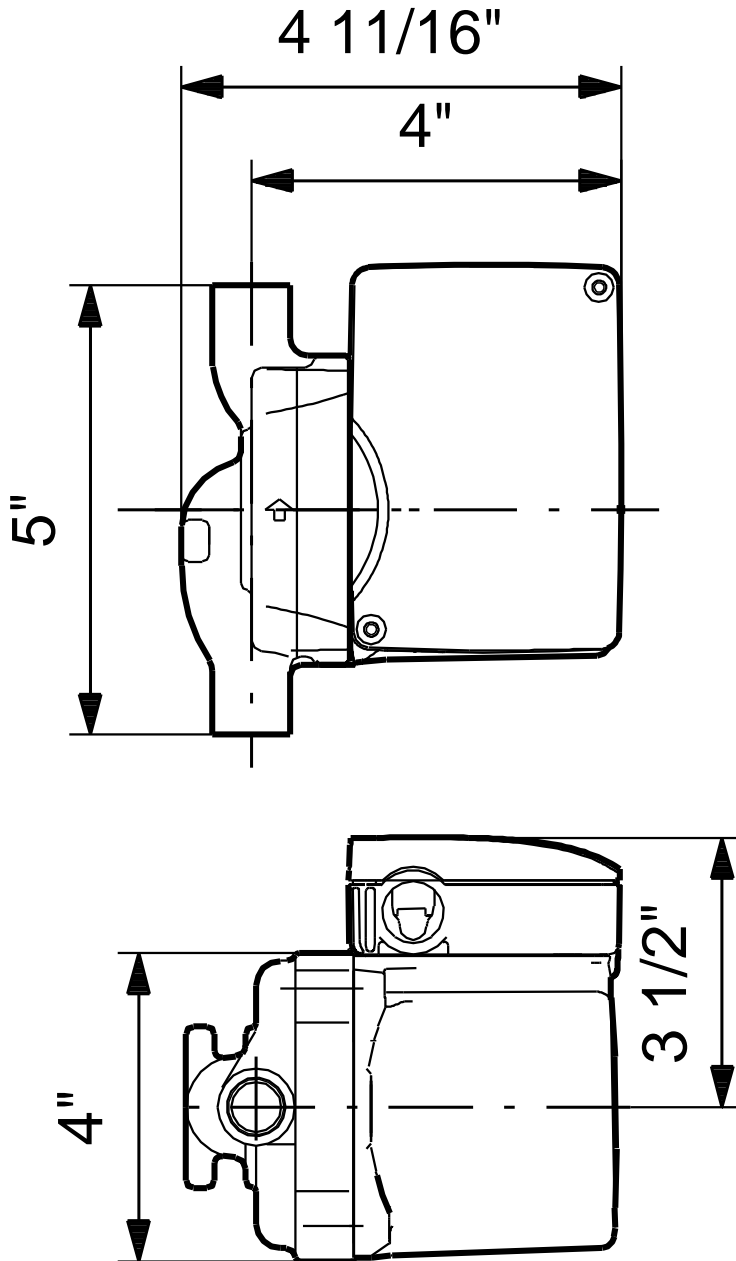
Electrical data:	
Max. power input:	25 W
Rated power - P2:	0.04 HP
Main frequency:	60 Hz
Rated voltage:	1 x 115 V
Current in speed 3:	0.22 A
Capacitor size - run:	2 µF/400 V
Number of poles:	2
Insulation class (IEC 85):	F
Motor protection:	CONTACT
Thermal protec:	internal

Controls:	
Pos term box:	9H

Others:	
Gross weight:	6 lb



59896213 UP 15-10 B5 60 Hz



Note! All units are in [mm] unless otherwise stated.
Disclaimer: This simplified dimensional drawing does not show all details.



Company name:

Created by:

Phone:

Date: 2/21/2018

Order Data:

Product name: UP 15-10 B5

Amount: 1

Product No.: 59896213

Total: Price on request
