

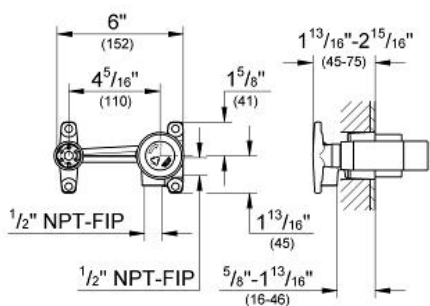
# Single-lever mixer 1/2", concealed body

MODEL # 33780000

Pure Freude an Wasser



GROHE America, Inc | 200 North Gary Avenue, Suite G, Roselle, IL 60172  
 Phone: +1 (800) 444-7643 | Fax: +1 (800) 225-2778 | us-customerservice@grohe.com



**Product Description:**  
 Single-lever mixer 1/2", concealed body

**Standard Specification:**

- GROHE SilkMove® ceramic cartridge
- GROHE WaterCare™
- GROHE StarLight® finish
- 1/2" NPT Female Inlets
- Center to Center
- Cast Brass Construction
- For vessel sink pop-up drain refer to 65 818
- Max Flow Rate 2.2 gpm at 60 psi (8.3 L/min); 2.5 gpm at 80 psi (9.5 L/min) for hand shower

**Applicable Codes & Standards:**

- Energy Policy Act of 1992
- NSF 61
- ASME A112.18.1/CSA B125.1
- US Federal and State material regulations

**Color:**

- 33780000 000 no colour

