

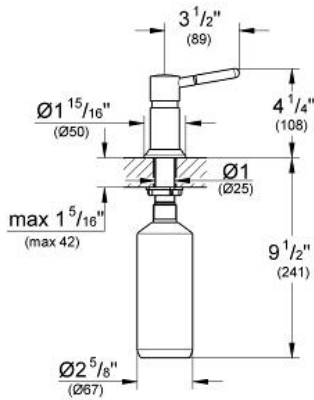
Soap Dispenser

MODEL # 28751SD1

Pure Freude an Wasser

GROHE

GROHE America, Inc | 200 North Gary Avenue, Suite G, Roselle, IL 60172
Phone: +1 (800) 444-7643 | Fax: +1 (800) 225-2778 | us-customerservice@grohe.com



Product Description:
Soap Dispenser

Standard Specification:

- Capacity 15 oz.
- One Piece Cartridge Pump Unit

Applicable Codes & Standards:

- Energy Policy Act of 1992
- ASME A112.18.1/CSA B125.1

Color:

- 28751SD1 SD1 stainless steel, brushed