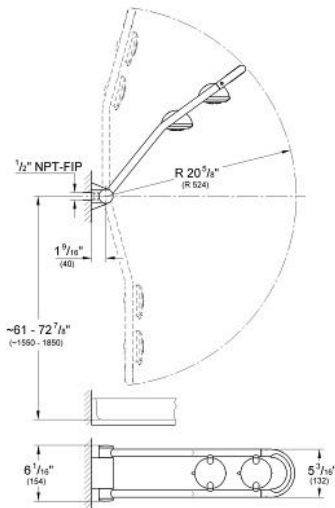


FREEHANDER® Shower System with Concealed Fitting

MODEL # 27007000

GROHE America, Inc | 200 North Gary Avenue, Suite G, Roselle, IL 60172
Phone: +1 (800) 444-7643 | Fax: +1 (800) 225-2778 | us-customerservice@grohe.com

Pure Freude an Wasser



Product Description: Shower System with Concealed Fitting

Standard Specification:

- 18 Shower Spray Combinations - 9 "Up" (shower head position) / 9 "Down" (body spray position)
- 180° Pivoting Arm adjusts for shower head or body spray function
- 360° Manual Shower Head Rotation
- Adjustable Spray, Outer Head: Wide Spray/Pulsator (Massage)/Eco (reduces flow)
- Adjustable Spray, Inner Head: Wide Spray/Pulsator (Massage)/Stop
- Lockable
- Speedclean® Anti-Lime System
- Self stopping joint
- **GROHE StarLight®** finish
- Easy installation or retrofit
- Max Flow Rate 2.5 gpm at 80 psi (9.5 L/min) each outlet

Applicable Codes & Standards:

- Energy Policy Act of 1992
- ASME A112.18.1/CSA B125.1

Color:

- 27007000 000 chrome

