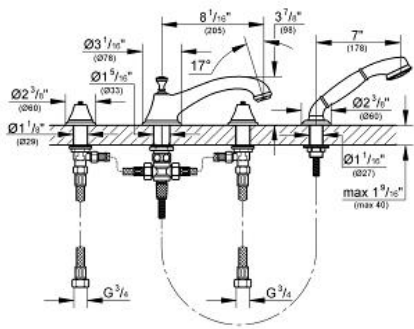


SEABURY  
Four-hole bath combination 1/2"  
MODEL # 25502EN0

Pure Freude an Wasser



GROHE America, Inc | 200 North Gary Avenue, Suite G, Roselle, IL 60172  
Phone: +1 (800) 444-7643 | Fax: +1 (800) 225-2778 | us-customerservice@grohe.com



**Product Description:**  
Four-hole bath combination 1/2"

**Standard Specification:**

- Handles sold separately
- 1/2" valves
- Seabury hand shower
- **GROHE StarLight** finish
- Max Flow Rate 2.5 gpm at 80 psi (9.5 L/min), 13 gpm at 45 psi (49.2 L/min) for Tub Filler

**Applicable Codes & Standards:**

- Energy Policy Act of 1992
- NSF 61
- ASME A112.18.1/CSA B125.1

**Color:**

- 25502EN0 brushed nickel

