

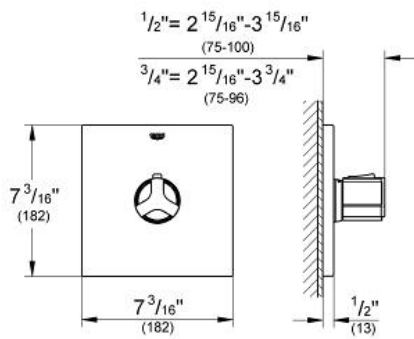
ALLURE  
Thermostat for bath and/or  
shower

MODEL # 19305000

GROHE CANADA, INC. | 5900 Avebury Road, Mississauga, Ontario, Canada L5R 3M3  
Phone: 905-271-2929 | Fax: 905-271-9494 | info@grohe.ca

Pure Freude  
an Wasser

GROHE



**Product Description:**  
Thermostat for bath and/or shower

**Standard Specification:**  
set for final installation  
without concealed body  
**GROHE StarLight®** chrome finish

- For use with GrohTherm Rough-In Valve (34 331) or (34 397)

**Applicable Codes & Standards:**

- Energy Policy Act of 1992
- ASME A112.18.1/CSA B125.1

**Color:**  
 19305000 000 chrome