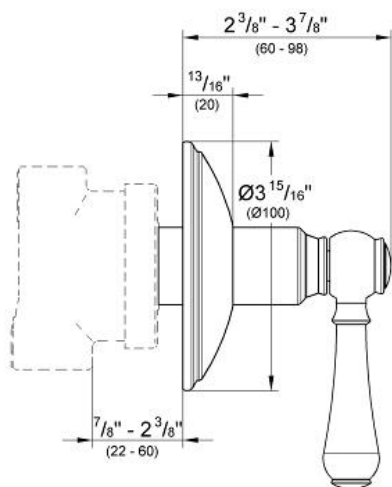


GENEVA
3-Way Diverter
MODEL # 19220ENO

Pure Freude an Wasser



GROHE America, Inc | 200 North Gary Avenue, Suite G, Roselle, IL 60172
Phone: +1 (800) 444-7643 | Fax: +1 (800) 225-2778 | us-customerservice@grohe.com



ADA

Product Description:
3-Way Diverter

Standard Specification:

- For use with Diverter Rough-In Valve (29 712)
- Adjustable installation depth: $7/8'' - 2\ 3/8''$
- GROHE StarLight® finish

Applicable Codes & Standards:

- Energy Policy Act of 1992
- ASME A112.18.1/CSA B125.1
- ICC/ANSI A117.1

Color:

- 19220ENO EN0 brushed nickel