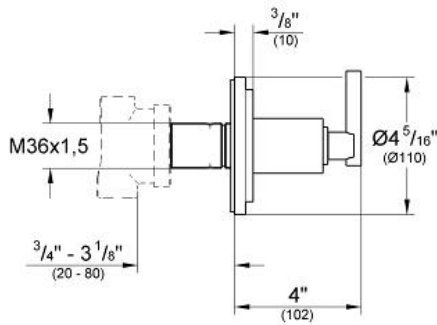


ATRIO
5-Port Diverter Trim
MODEL # 19181000

Pure Freude an Wasser



GROHE America, Inc | 200 North Gary Avenue, Suite G, Roselle, IL 60172
Phone: +1 (800) 444-7643 | Fax: +1 (800) 225-2778 | us-customerservice@grohe.com



ADA

Product Description:
5-Port Diverter Trim

Standard Specification:

- For use with Diverter Rough-In Valve (29 714)
- GROHE StarLight® finish
- GROHE SilkMove®
- Atrio Lever Handle
- 2 inlets
- 3 x 1/2" outlets

Applicable Codes & Standards:

- Energy Policy Act of 1992
- ASME A112.18.1/CSA B125.1
- ICC/ANSI A117.1

Color:

- 19181000 000 chrome