

ID504

SPLASHABLES®

INSTALLATION INSTRUCTIONS

for

Corner
Baskets

G504

504L

505L

*Complement
your purchase
with these
fine accessories
also from
GINGER® :*

Lights

Mirrors

Bud Vases

Towel Bars

Towel Rings

Toilet Tissue Holders

Hooks

Soap Dishes

Tumbler Holders

Toiletry Shelves

Shower Curtain Rods

Soap & Bottle Baskets

Hotel Shelves

Grab Bars

Cabinet Hardware

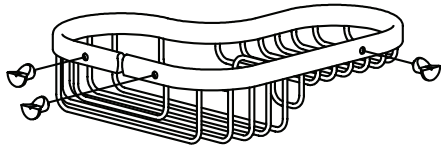
GINGER
Luxury For Your Lifestyle™

2001 CARNEGIE AVENUE
SANTA ANA, CA 92705
949-417-5207
www.gingerco.com

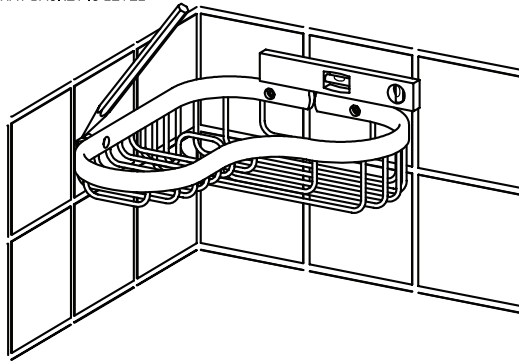
SPLASHABLES®

CORNER BASKET INSTALLATION INSTRUCTIONS

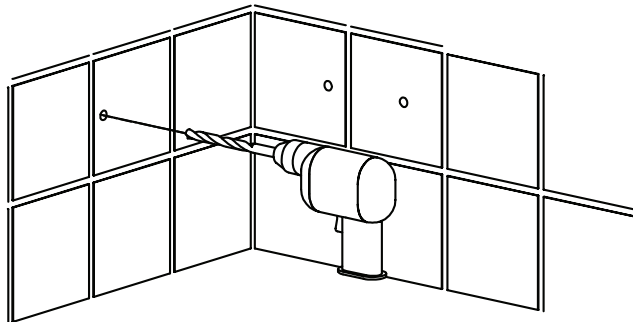
- ① INSERT PLASTIC MARKING POST FLUSH WITH BASKET WITH BASKET



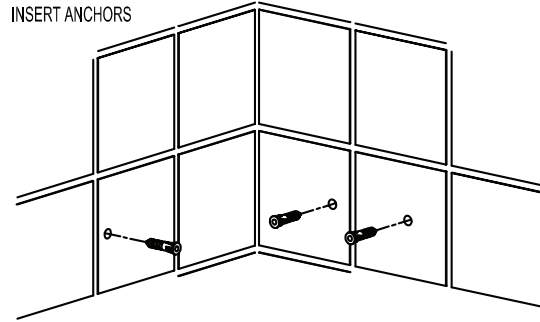
- ② MARK LOCATION OF MOUNTING SCREWS INSURING THAT BASKET IS LEVEL



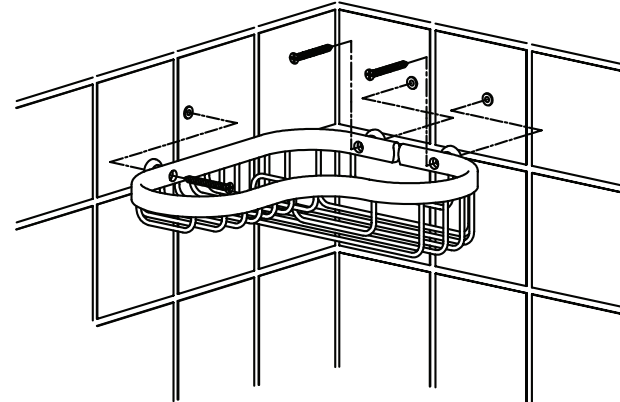
- ③ DRILL HOLES: Ø 3/16" [Ø 5mm] IN DRY WALL OR Ø 1/4" [Ø 6mm] IN TILE



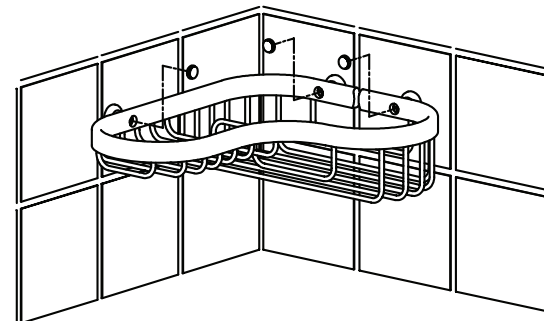
- ④ INSERT ANCHORS



- ⑤ REMOVE PLASTIC MARKING POSTS AND INSERT MOUNTING SCREWS THROUGH THE BASKET FRAME AND METAL POSTS AND TIGHTEN INTO WALL ANCHORS



- ⑥ INSERT SCREW COVERS: WETTING THE BLACK RUBBER ON THE COVER WILL MAKE INSERTION EASIER



CARE OF FINE BRASS
To clean, use warm water only.
NEVER use abrasives or detergents.