



VITREOUS CHINA

TOILET  
**25-733**

LAVATORIES

TOILETS

BIDETS / URINALS

CAST IRON



# NORTH POINT™ 1.28/1.6 ErgoHeight™ Elongated Spud Bowl

10" Rough-in

### Features:

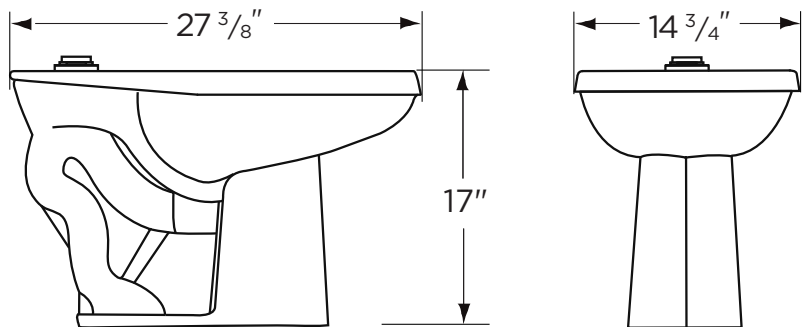
- 1.28/1.6 gpf/4.8/6.0 Lpf high efficiency floor mount bowl
- Elongated ErgoHeight™ bowl
- Top Spud
- Siphon Jet
- 1 1/2" spud for flushometer valve



Seat not included

### Dimensions:

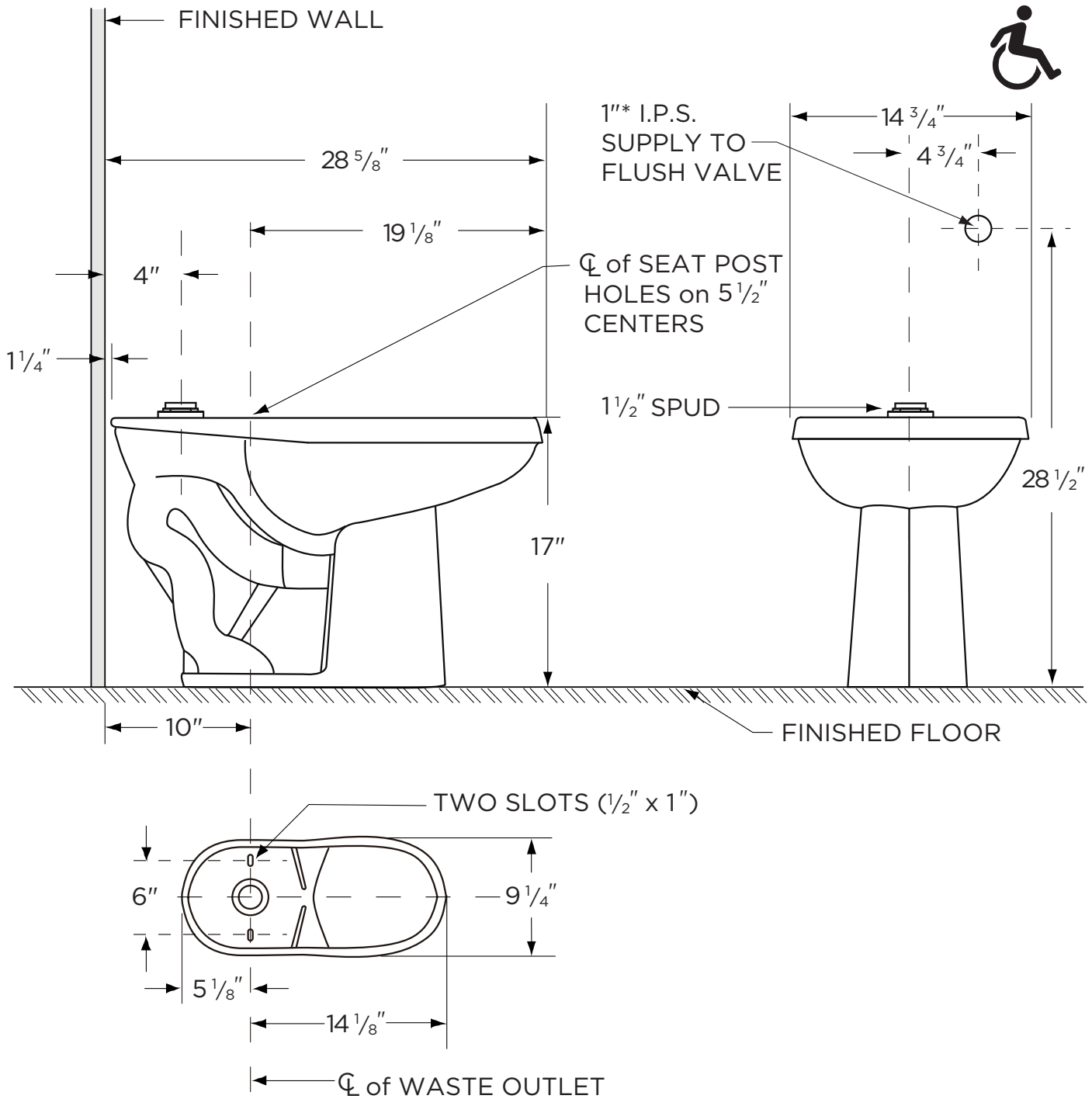
- Height..... 17 "
- Width..... 14 3/4"
- Depth..... 27 3/8"
- Rough-in..... 10"
- Water Surface from Rim ..... 5 1/2"
- Trapway (min)..... 2 "
- Water Surface ..... 10 " x 8 7/8"
- Water Seal ..... 2 1/4"
- Shipping Weight ..... 47 lbs



THIS FIXTURE QUALIFIES ACCORDING TO ASME TEST PROCEDURES AS A HIGH EFFICIENCY WATER CLOSET WITH AN AVERAGE CONSUMPTION OF 1.28/1.6 gpf (4.8/6.0 Lpf) OR LESS.

Job Name	
Date	
Model Specified	
Quantity	
Customer	
Contractor	
Architect/engineer	

www.gerberonline.com



**NOTES:**

All dimensions are in inches.

Illustrations may not be drawn to scale.

\*Use flush valve manufacturer's recommended rough-in

**IMPORTANT:**

Dimensions of fixtures are nominal and may vary within the range of tolerances established by ASME Standard A 112.19.2.

THIS FIXTURE QUALIFIES ACCORDING TO ASME TEST PROCEDURES AS A HIGH EFFICIENCY WATER CLOSET WITH AN AVERAGE CONSUMPTION OF 1.28 gpf (4.8 Lpf) OR LESS.