

# GEBERIT INSTALLATION SYSTEM

## For 1.6/0.8 GPF (6/3 LPF) and 1.28/0.8 GPF (4.8/3 LPF) Wall-Hung Toilets, 2x6 Installations

### PRODUCT SPECIFICATIONS

In-Wall Duofix carrier system and Sigma concealed tank with actuator flush panel or pneumatic push button for washdown wall-hung toilets. System shall fit within minimum 5½" (146 mm) framing wall or plumbing chase, with wood construction or steel framing members placed 19¾" (500 mm) apart. Framing members should be capable of supporting a 880 pound (400 kg) load without damage to the wall. Water supply shall have flow diameter no smaller than 1/2" (13 mm) copper tube, and a minimum flow pressure of 2 PSI (0.01 MPa). The toilet bowl shall be a third party listed, 2-hole wall-hung 1.6 GPF (6 LPF) or 1.28 GPF (4.8 LPF) single-flush, 1.6/0.8 GPF (6/3 LPF) or 1.28/0.8 GPF (4.8/3 LPF) dual-flush. The carrier frame shall be adjustable for bowl rim heights from 15" to 19" (381 to 483 mm). Actuator flush panels shall be diecast zinc, molded plastic or fabricated stainless steel and plated to preserve material integrity. All components shall be compliant with applicable codes and product standards.

### FEATURES

- Water consumption – Dual-flush system, 1.6/0.8 GPF (6/3 LPF) or 1.28/0.8 GPF (4.8/3 LPF)
- Anti-siphon fill valve
- Impact resistant high density polyethylene (HDPE) tank, insulated to prevent condensation
- 16-gauge, powder-coated, structural-steel tubing rated to 880 lbs. (400 kg) without damage to finished wall or carrier unit
- Bowl rim height adjustments from 15" to 19" (381 to 483 mm)
- 49" (1245 mm) frame height
- For finished walls up to 3½" (9cm) thick
- For use with Geberit Sigma actuator plates (not included)
- Includes installation and rough-in materials

Complies with the latest editions of:

- ASME: A112.6.2, A112.19.5, A112.19.14
- ANSI Z124.4
- CSA B125.3
- ANSI/ASSE 1002
- IAPMO PS-50
- UNAR / UNAR-HET
- ASME A112.19.2
- This concealed tank is WaterSense® listed or compliant when used in combination with the toilet bowl models listed on page 3 of this DOCUMENT.
- State of Massachusetts listed

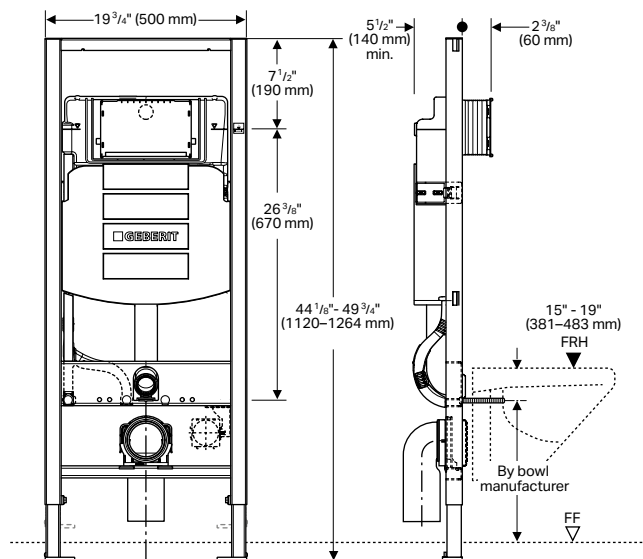
### WARRANTY

Limited lifetime warranty on tank and carrier, 10-year warranty on fill valve and flush valve. One-year warranty on actuator flush plates.

Products marked with comply with the American Disabilities Act (ADA) when installed per the requirements of the latest ADA Accessibility Guidelines (ADAAG) and/or ICC/ANSI A117.1.

Where water closet grab bars are required and corresponding reinforcement provided as outlined in the latest NYC Building Code and Federal FHA Guidelines, the installed product complies both for grab bars installed at the time of initial construction as well as for grab bars planned for future installation.

Model No.	Description	
111.335.00.5	Carrier frame with 1.60/0.8 GPF Sigma Concealed Tank	
111.902.00.5	Carrier frame with 1.28/0.8 GPF Sigma Concealed Tank	



### ARCHITECT/ENGINEER APPROVAL

Job Name: \_\_\_\_\_

Date: \_\_\_\_\_ Quantity: \_\_\_\_\_

Model Specified: \_\_\_\_\_

Variations Specified: \_\_\_\_\_

Customer/Wholesaler: \_\_\_\_\_

Contractor: \_\_\_\_\_

Architect: \_\_\_\_\_

# GEBERIT INSTALLATION SYSTEM

For 1.6/0.8 GPF (6/3 LPF) and 1.28/0.8 GPF (4.8/3 LPF) Wall-Hung Toilets, 2x6 Installations

## COMPATIBLE 1.6/0.8 GPF (6/3 LPF) WALL-HUNG TOILET BOWL MODELS

Brand Name	Model Number*	Model Name	Brand Name	Model Number*	Model Name	Brand Name	Model Number*	Model Name
Blu	LW6008	Coco	Duravit	252959	ME by Starck	Laufen	8.2096.2	Laufen Pro S
Bathworks	LW6020	Metrix	(continued)	253009	ME by Starck	(continued)	8.2096.3**	Laufen Pro S
	LW6030	Coco		256109	P3 Comforts		8.2068.0	LB3
Devon & Devon	LW6030A	Coco	256159	P3 Comforts	8.2068.8***	LB3		
	IBWCSBLUES	Blues	221909	PuraVida	8.2043.5****	Living		
	IBWCSET	Etoile	021009	Starck 1	8.2043.9**	Living		
	2IBWCBSSET	Etoile	016009	Starck 2	8.2055.0	Mimo		
	IBWCSET	New Etoile	253309	Starck 2	8.2094.6	Mylife		
Duravit	2IBWCBSSET	New Etoile	253359	Starck 2	8.2094.8	Mylife		
	IBWCSRO	Rose	253409	Starck 2	8.2070.8	Palace		
	018209	1930 Series	220009	Starck 3	8.2080.1	Palomba		
	220509	2nd Floor	220109	Starck 3	8.2080.8**	Palomba		
	222009	2nd Floor	222509	Starck 3	Neo-Metro	8951	Euro-Urban Contour	
	017509	Bathroom_Foster	222009	Starck 3 compact	8957	Metaal		
	015609	Caro	222709	Starck 3 compact	8952	miniLoo		
	019809	Caro	252709	Starck 3	ROCA	346768	Armani	
	019849	Caro	222609	Starck 3	346518	Dama Senso		
	221109	D-Code	222659	Starck 3	346468	Giralda		
	253509	D-Code	220309	Starck 3 extra long	346628	Hall		
	220909	D-Code	220609	Starck 3	346568	Happening		
	222309	D-Code	221509	Starck 3	TOTO	CT418FG	Aquia	
	020709	Darling	220409	Starck X	CT486FG	Maris		
	254509	Darling New	221709	Vero	Tynan Plumbing	7531.XX	Aine	
	255709	Darling New	DXV	47010-11	Seagram	7532.XX	Fionn	
	254409	Darling New	Icera	C-6610	Clarity	Villeroy & Boch	6612-YY-XX	Aveo
	254459	Darling New	C-2340	Metro Loft	C-2370	4684-YY-XX**	Architectura	
	256309	Darling New		Piano		4688-UR-XX**	Architectura	
	256359	Darling New	Kallista	P70361-00	Pléo	5664-YY-XX	Bellevue	
	253609	DuraStyle	Kohler	K-6299	Veil	6653-YY-XX	Century	
	253709**	DuraStyle	K-6300	Veil for Bidet Seat	Lacava	6665-YY-XX	Editorials	
	253809	DuraStyle		Aquagrande		6661-10-XX	Hommage	
	253909	DuraStyle	5051WC	Giulia	4278	5627-YY-XX	La Belle	
	254009	DuraStyle	4278	Piazza	6058	7631-YY-XX	Magnum	
	254109	DuraStyle	2958	Suave	2958	5628-YY-XX	Memento	
	253759	DuraStyle	Laufen	8.2090.0	Alessi dOt	6664-YY-XX	Oblic	
	254209	DuraStyle	8.2090.8	Alessi dOt	8.2090.8	5684-YY-XX	Ornia Architectura	
254259	DuraStyle	8.2097.6	Alessi One	8.2097.6	5674-YY-XX	Ornia Architectura		
255109	DuraStyle	8.2097.8	Alessi One	8.2097.8	5678-YY-XX	Ornia Architectura Vita		
255209	DuraStyle	8.2067.1	Form	8.2067.1	5670-YY-XX	Pure Stone		
255909	DuraStyle	8.2066.1**	Hi Jet	8.2066.1**	5622-YY-XX	Sentique		
256209****	DuraStyle Basic	8.2033.8	Kartell	8.2033.8	6661-YY-XX	Strada		
255409	Esplanade	8.2033.6	Kartell	8.2033.6	4609-UR-XX**	Subway		
017109	Happy D	8.2033.1	Kartell	8.2033.1	6600-YY-XX	Subway		
222109***	Happy D.2	8.2095.0***	Laufen Pro	8.2095.0***	5600-YY-XX	Subway 2.0		
222209	Happy D.2	8.2096.9	Laufen Pro	8.2096.9	5614-XX	Subway		
255009	Happy D.2	8.2095.6***	Laufen Pro	8.2095.6***				
255059	Happy D.2	8.2095.2	Laufen Pro Compact	8.2095.2				
252909	ME by Starck							

## COMPATIBLE 1.28/0.8 GPF (4.8/3 LPF) WALL-HUNG TOILET BOWL MODELS

Brand Name	Model Number*	Model Name
TOTO	CT437FG****	MH
	CT437FGT20****	MH Connect+

- \* Consult toilet manufacturers for up-to-date model numbers and availability.
- \*\* Meets 600 grams MaP performance score according to Maximum Performance (MaP) of Toilet Fixture list, version 03/10/2018.
- \*\*\* Meets 800 grams MaP performance score according to Maximum Performance (MaP) of Toilet Fixture list, version 03/10/2018.
- \*\*\*\* Meets 800 grams MaP performance score self-attested by manufacturer.

# GEBERIT INSTALLATION SYSTEM

For 1.6/0.8 GPF (6/3 LPF) and 1.28/0.8 GPF (4.8/3 LPF) Wall-Hung Toilets, 2x6 Installations

## WATERSENSE LISTED EPA HIGH EFFICIENCY COMPATIBLE 1.6/0.8 GPF (6/3 LPF) WALL-HUNG TOILET BOWL MODELS



Brand Name	Model Number*	Model Name	Brand Name	Model Number*	Model Name
Duravit	220509	2nd Floor	DXV	47010-11	Seagram
	222009	2nd Floor	Kohler	K-6299	Veil
	015609	Caro		K-6300	Veil
	220909	D-Code	Laufen	8.2090.0	Alessi dOt
	020709	Darling		8.2097.6	Alessi One
	254409	Darling New		8.2095.6***	Laufen Pro
	254459	Darling New		8.2094.6	Mylife
	254509	Darling New	Lacava	5051WC	Giulia
	255709	Darling New	TOTO	CT418FG	Aquia
	253709**	DuraStyle		CT486FG	Maris
	253809	DuraStyle	Tynan Plumbing	7531.XX	Aine
	254209	DuraStyle		7532.XX	Fionn
	254259	DuraStyle	Villeroy	6612-YY-XX	Aveo
	256209	DuraStyle Basic	& Boch	5664-YY-XX	Bellevue
	255409	Esplanade		6653-YY-XX	Century
	017509	Bathroom_Foster		6661-YY-XX	Hommage
	017109	Happy D		5627-YY-XX	La Belle
	222109***	Happy D.2		5628-YY-XX	Memento
	255009	Happy D.2		6664-YY-XX	Oblic
	255059	Happy D.2		4688-UR-XX**	Architectura
	221909	PuraVida		5674-YY-XX	Omnia Architectura
	021009	Starck 1		5678-YY-XX	Omnia Architectura Vita
	016009	Starck 2		5670-YY-XX	Pure Stone
	253309	Starck 2		5622-YY-XX	Sentique
	253359	Starck 2		4609-UR-XX	Subway
	253409	Starck 2		5600-YY-XX	Subway 2.0
	220009	Starck 3		5614-XX	Subway
	220209	Starck 3 compact		6600-YY-XX	Subway
	220309	Starck 3 extra long			
	222659	Starck 3			
	222709	Starck 3 compact			
	252709	Starck 3			
	220409	Starck X			
	221709	Vero			

## WATERSENSE LISTED EPA HIGH EFFICIENCY COMPATIBLE 1.28/0.8 GPF (4.8/3 LPF) WALL-HUNG TOILET BOWL MODELS



Brand Name	Model Number*	Model Name
TOTO	CT437FG****	MH
	CT437FGT2****	MH Connect+

- \* Consult toilet manufacturers for up-to-date model numbers and availability.
- \*\* Meets 600 grams MaP performance score according to Maximum Performance (MaP) of Toilet Fixture list, version 03/10/2018.
- \*\*\* Meets 800 grams MaP performance score according to Maximum Performance (MaP) of Toilet Fixture list, version 03/10/2018.
- \*\*\*\* Meets 800 grams MaP performance score self-attested by manufacturer.

**Geberit**  
2100 S. Clearwater Drive  
Des Plaines, IL 60018  
USA

**P 847-803-7777**  
**F 847-803-5454**

**www.geberit.us**