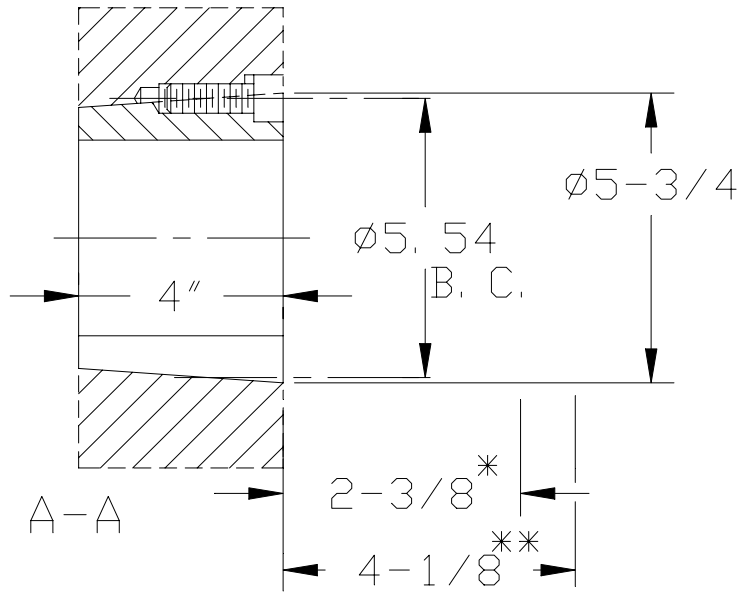
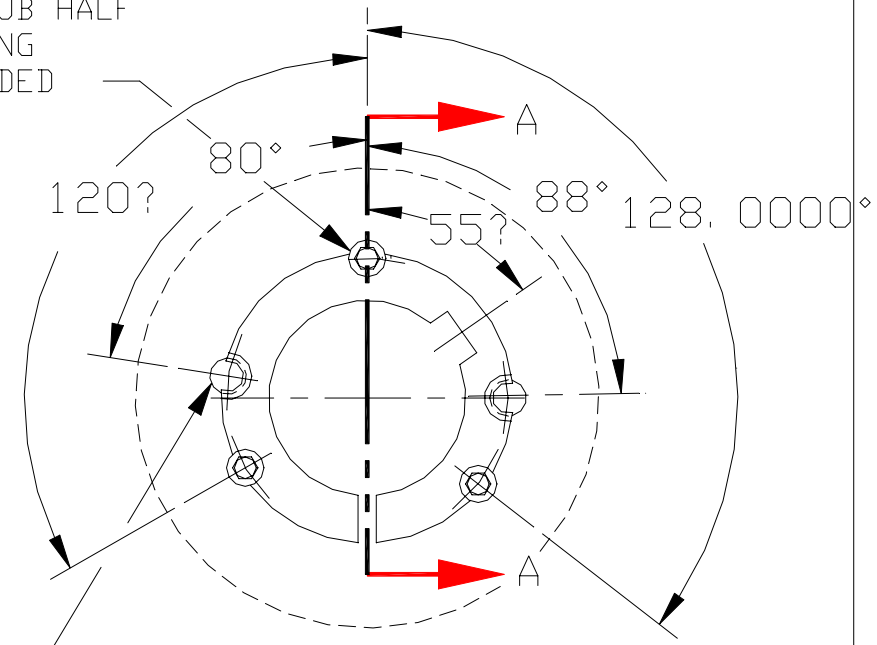


# 4040 TAPER-LOCK BUSHING

(3) 5/8-11 NC X 1-3/4 LG SOC HD  
CAP SCREWS FURNISHED W/ BUSHING  
FOR TIGHTENING ON SHAFT; HUB HALF  
OF HOLE IS THREADED-BUSHING  
HALF OF HOLE IS NOT THREADED



SECTION A-A



USE ONLY TWO SCREW FOR REMOVING  
FROM SHAFT:  
BUSHING HALF OF HOLE IS THREADED-  
HUB HALF OF HOLE IS NOT THREADED  
BORE:  
BUSHING KW:

- \* SPACE REQD TO TIGHTEN BUSHING  
ALSO SPACE REQD TO LOOSEN SCREWS TO  
PERMIT REMOVAL OF HUB BY PULLER.
- \*\* SPACE REQD TO LOOSEN BUSHING USING  
TWO SCREW AS JACKSCREW-NO PULLER REQD.

CERTIFIED

8° INCLUDED ANGLE

CUSTOMER NAME: CUSTOMER DWG NO. :	APPROVED BY _____ DATE _____	DIST.
THE GATES RUBBER CO. DENVER, COLORADO	DR. BY _____ DATE _____ CK. BY _____ APPD. BY _____	DRAWING NO.