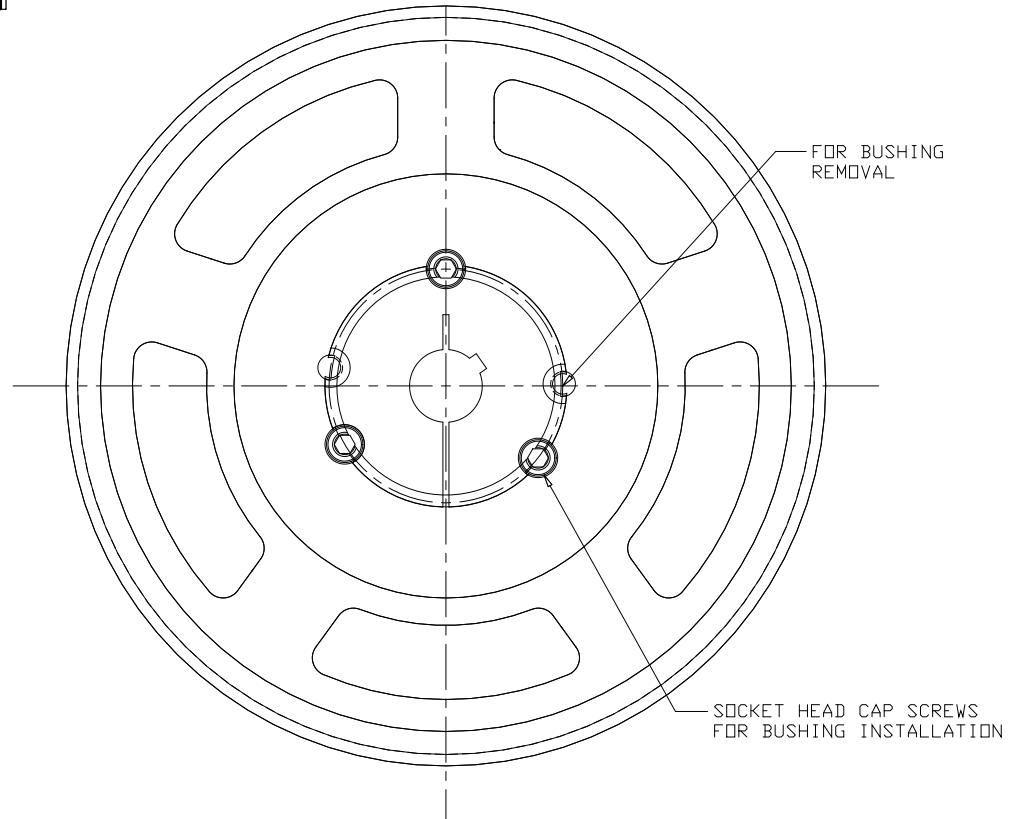
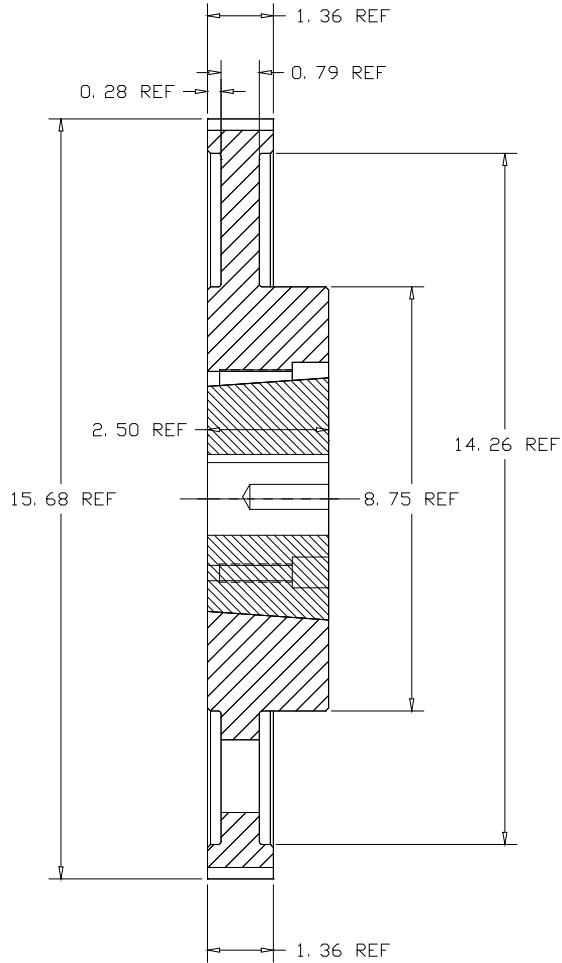


GATES 14M POLY CHAIN GT2 BELT



CERTIFIED

DFT	REV	DATE	APP'D	REVISION

<p>TOOTH TYPE: GT BELT PITCH: 14m PITCH DIA: 15.790 NO. OF TEETH: 90 MATERIAL: GRAY IRON FINISH: 250 ✓ COATINGS: ANTI-RUST</p>	<p>THE MATERIALS AND INFORMATION, INCLUDING THE PRINCIPALS OF DESIGN PRESENTED, ARE THE EXCLUSIVE PROPERTY OF THE GATES RUBBER COMPANY AND ARE TO BE CONSIDERED AS CONFIDENTIAL INFORMATION. ACCORDINGLY, THIS INFORMATION IS SUBMITTED TO YOU WITH THE AGREEMENT THAT IT IS NOT TO BE REPRODUCED, COPIED, OR LOANED, IN PART OR IN WHOLE, NOR IS THE INFORMATION TO BE RELAYED TO ANY OTHER INDIVIDUAL OR COMPANY. ACCEPTANCE OF THIS DRAWING WILL BE CONSTRUED AS AN AGREEMENT TO THE ABOVE.</p>	<p>PART DESCRIPTION: 14MX-90S-20 3525 GATES PART NUMBER: 77192090</p>
<p>THIS DRAWING IS A STOCK POWER TRANSMISSION COMPONENT. DETAILS SHOWN WHICH DO NOT AFFECT DRIVE FUNCTION MAY BE CHANGED WITHOUT ANY NOTIFICATION.</p>	<p>CUSTOMER NAME: CUSTOMER DWG NO. :</p>	<p>APPROVED BY _____ DATE _____</p>
	<p><b>THE GATES RUBBER CO.</b> <b>DENVER, COLORADO</b></p>	<p>DR. BY _____ DATE _____ CK. BY _____ APPD. BY _____</p>
		<p>REF. QUOTE NO. DRAWING NO. <b>77192090</b></p>