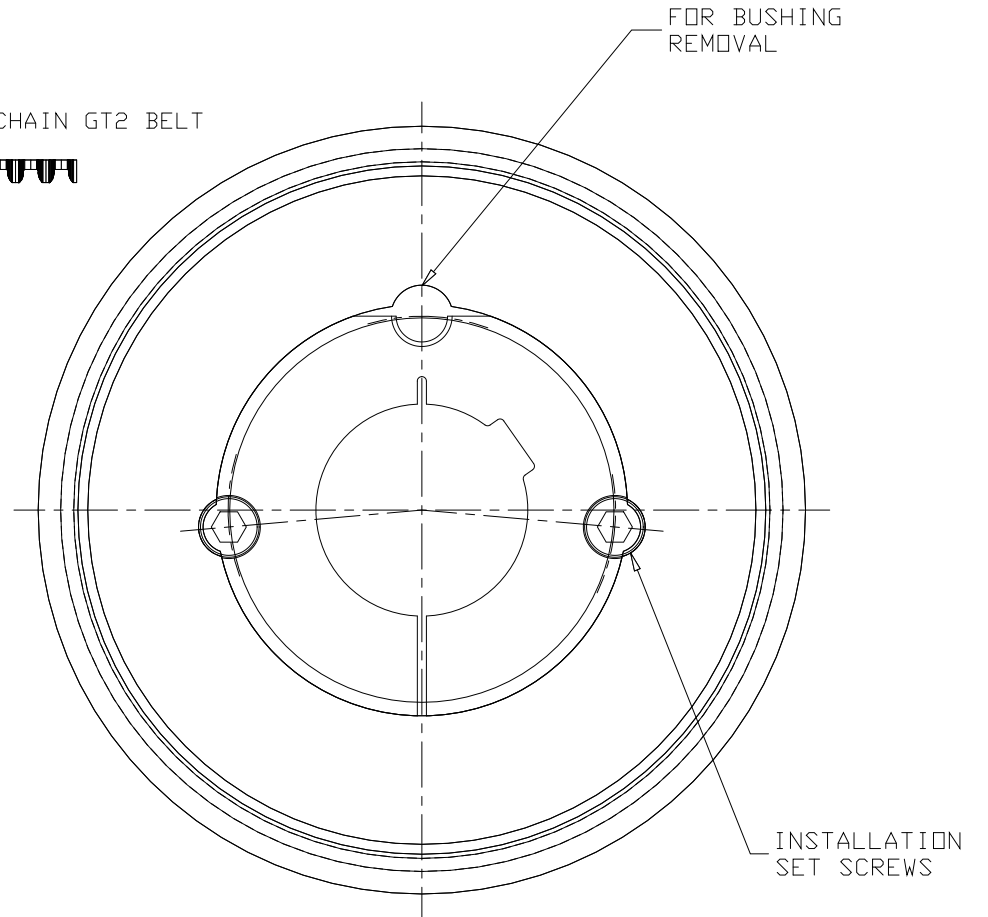


GATES 8M POLY CHAIN GT2 BELT



CERTIFIED

DFTR	REV	DATE	APP'D	REVISION

TOOTH TYPE: GT
 BELT PITCH: 8m
 PITCH DIA: 7.519
 NO. OF TEETH: 75
 MATERIAL: GRAY IRON
 FINISH: 250 ✓
 COATINGS: ANTI-RUST

THE MATERIALS AND INFORMATION, INCLUDING THE PRINCIPALS OF DESIGN PRESENTED, ARE THE EXCLUSIVE PROPERTY OF THE GATES RUBBER COMPANY AND ARE TO BE CONSIDERED AS CONFIDENTIAL INFORMATION. ACCORDINGLY, THIS INFORMATION IS SUBMITTED TO YOU WITH THE AGREEMENT THAT IT IS NOT TO BE REPRODUCED, COPIED, OR LOANED, IN PART OR IN WHOLE, NOR IS THE INFORMATION TO BE RELAYED TO ANY OTHER INDIVIDUAL OR COMPANY. ACCEPTANCE OF THIS DRAWING WILL BE CONSTRUED AS AN AGREEMENT TO THE ABOVE.

THIS DRAWING IS A STOCK POWER TRANSMISSION COMPONENT. DETAILS SHOWN WHICH DO NOT AFFECT DRIVE FUNCTION MAY BE CHANGED WITHOUT ANY NOTIFICATION.

CUSTOMER NAME: _____
 CUSTOMER DWG NO.: _____
 **THE GATES RUBBER CO.**
DENVER, COLORADO

PART DESCRIPTION: 8MX-75S-62 3020
 GATES PART NUMBER: 77186075

APPROVED BY _____ REF. QUOTE NO. _____
 DATE _____

DR. BY _____ DATE _____ DRAWING NO. _____
 CK. BY _____
 APPD. BY _____ **77186075**